



GRANDE-TEK



PRESS FITTINGS

GRANDE-TEK FLOW CONTROL CO.,LTD.

Add: Industrial Zone of Yunhe District, Fuyang Road, Cangzhou, Hebei, China

Tel: +86-317-2209658

Web: www.grandetek.com

Mail: chris@grandetek.com



FITTINGS



GD PRESS



GRANDE-TEK FLOW CONTROL CO.,LTD.



COMPANY CONTENTS

Grande-Tek Flow Control Co., Ltd is a professional manufacturer of steel valves and fittings since 1996, and we have been involved in press fittings field since 2008.

We have made a great progress during these years, and we were the first and only one, who has acquired the DVGW certificate in 2011 in China. And afterwards we have got DVGW for the LBP type with the whole range from OD15 to OD108.

After year's development, we have been regarded the leading manufacturer in China mainland, and meantime we also got the approval from SVGW, OVGW, VA, Watermark organization, which lead us to be more confident with our products.

Now GDPRESS fittings become more and more popular both in domestic and abroad market, and we are always expecting for your coming...



Approved by:      

Applications

GD pressfitting is ideal for water as well as for industrial pipe system installations.

GD pressfitting is the perfect solution for drinkable water and sanitary systems.

It is also recommended for heating, conditioning, hydraulic cooling, fire-prevention as well as for compressed air systems.

Characteristics

GD pressfitting is very easy and quick to install and only uses AISI 316L stainless steel, and carbon steel.

The fittings used in pressfitting system have a toroidal chamber at their own ends inside which there's a O-ring, which has a very strong resistance against aging, it can resist to high pressures and also to temperatures.

GD pressfitting, with electromechanical jaws are used for pressing the fittings on the tubes. The O-ring, once compressed, guarantees the connection to be completely sealed and no longer divisible.

Advantages

Easy and quick installation

Low cost of labour

No gluing, threading or welding

Reliability of the joints

Resistance to corrosion

Security of hygiene

Compatible of pressfitting system

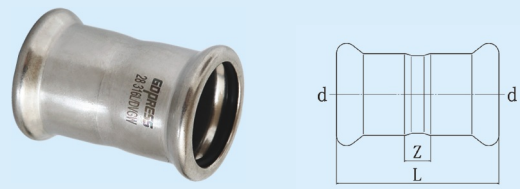
Nowadays the GD pressfittings are produced with stainless steel, which is certainly the best material in security of hygiene compared with others such as plastic, iron and copper and can provide a high resistance to corrosion.

Thanks to the long-term experience within the field of stainless steel production, we are now able to provide a competitiveness beyond comparison with excellent products, and we have acquired much more good reputation both domestic and abroad market.

O-ring Material(option)

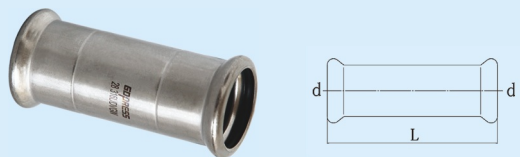
NO.	Material	Color	Working Temperature	Application
1	EPDM	Black	-20°C To 120°C	Potable Water, Cooling Systems, Etc
2	FKM	Green	-20°C To 200°C	High Temperature System, Solar, Etc
3	NBR	Yellow	-20°C To 100°C	Oil, Gas, Lubricants, Etc

Coupling



ITEM NO	Specifications	d	L	Z
GDA5001	OD15	15	48	8
GDA5002	OD18	18	48	8
GDA5003	OD22	22	50	8
GDA5004	OD28	28	54	8
GDA5005	OD35	35	62	10
GDA5006	OD42	42	71	11
GDA5007	OD54	54	83	13
GDA5008	OD76.1	76.1	141	35
GDA5009	OD88.9	88.9	162	42
GDA5010	OD108	108	194	44

Long Coupling



ITEM NO	Specifications	d	L
GDA5011	OD15	15	67
GDA5012	OD18	18	68
GDA5013	OD22	22	73
GDA5014	OD28	28	83
GDA5015	OD35	35	98
GDA5016	OD42	42	115
GDA5017	OD54	54	138
GDA5018	OD76.1	76.1	229
GDA5019	OD88.9	88.9	263
GDA5020	OD108	108	313

Reducer with Plain Ends



ITEM NO	Specifications	D	d	L	Z
GDA5021	18×OD15	18	15	62	42
GDA5022	22×OD15	22	15	62	42
GDA5023	22×OD18	22	18	60	40
GDA5024	28×OD15	28	15	63	43
GDA5025	28×OD18	28	18	67	47
GDA5026	28×OD22	28	22	66	45
GDA5048	35×OD15	35	15	75	55
GDA5027	35×OD18	35	18	78	58
GDA5029	35×OD22	35	22	68	47
GDA5030	35×OD28	35	28	76	53
GDA5031	42×OD15	42	15	80	60
GDA5032	42×OD18	42	18	80	60
GDA5033	42×OD22	42	22	84	63
GDA5034	42×OD28	42	28	82	59
GDA5035	42×OD35	42	35	80	54
GDA5036	54×OD15	54	15	96	76
GDA5037	54×OD18	54	18	92	72
GDA5038	54×OD22	54	22	96	75
GDA5039	54×OD28	54	28	98	75
GDA5040	54×OD35	54	35	96	70
GDA5041	54×OD42	54	42	102	72
GDA5042	76.1×OD54	76.1	54	145	110
GDA5043	88.9×OD54	88.9	54	147	112
GDA5044	88.9×OD76.1	88.9	76.1	161	108
GDA5045	108×OD54	108	54	162	127
GDA5046	108×OD76.1	108	76.1	176	123
GDA5047	108×OD88.9	108	88.9	203	143

90° Elbow



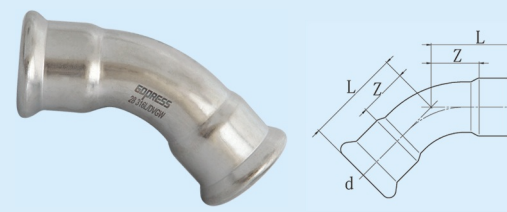
ITEM NO	Specifications	d	L	Z
GDA6051	OD15(R=1.2)	15	43	23
GDA6052	OD18(R=1.2)	18	46	26
GDA6053	OD22(R=1.2)	22	53	32
GDA6054	OD28(R=1.2)	28	64	41
GDA6055	OD35(R=1.2)	35	78	52
GDA6056	OD42(R=1.2)	42	90	60
GDA6057	OD54(R=1.2)	54	110	75
GDA6058	OD76.1(R=1.2)	76.1	157	104
GDA6059	OD88.9(R=1.2)	88.9	178	118
GDA6060	OD108(R=1.2)	108	215	140

90° Elbow with Plain Ends

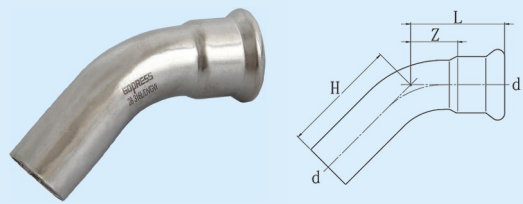


ITEM NO	Specifications	d	L	H	Z
GDA6071	OD15(R=1.2)	15	43	49	23
GDA6072	OD18(R=1.2)	18	46	52	26
GDA6073	OD22(R=1.2)	22	53	57	32
GDA6074	OD28(R=1.2)	28	64	71	41
GDA6075	OD35(R=1.2)	35	78	90	52
GDA6076	OD42(R=1.2)	42	90	102	60
GDA6077	OD54(R=1.2)	54	110	122	75
GDA6078	OD76.1(R=1.2)	76.1	157	173	104
GDA6079	OD88.9(R=1.2)	88.9	178	199	118
GDA6080	OD108(R=1.2)	108	215	235	140

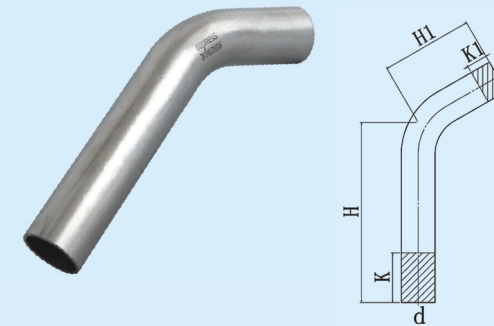
45° Elbow



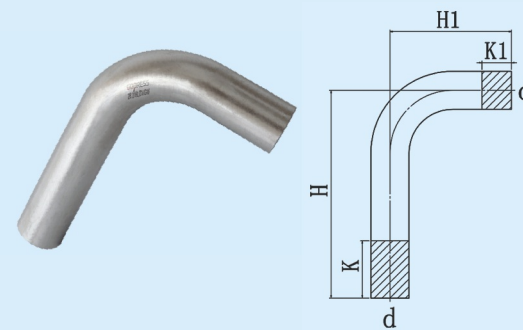
ITEM NO	Specifications	d	L	Z
GDA6101	OD15(R=1.2)	15	32	12
GDA6102	OD18(R=1.2)	18	34	14
GDA6103	OD22(R=1.2)	22	38	18
GDA6104	OD28(R=1.2)	28	42	22
GDA6105	OD35(R=1.2)	35	52	28
GDA6106	OD42(R=1.2)	42	60	30
GDA6107	OD54(R=1.2)	54	72	37
GDA6108	OD76.1(R=1.2)	76.1	102	49
GDA6109	OD88.9(R=1.2)	88.9	115	55
GDA6110	OD108(R=1.2)	108	142	67


45° Elbow with Plain Ends


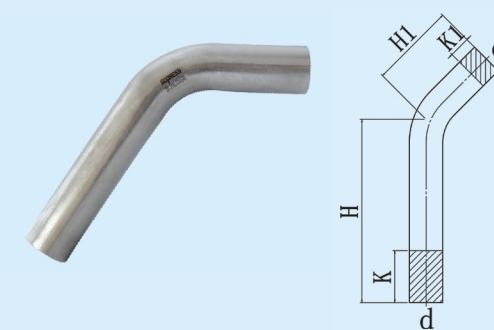
ITEM NO	Specifications	d	L	H	Z
GDA6121	OD15(R=1.2)	15	32	43	12
GDA6122	OD18(R=1.2)	18	34	48	14
GDA6123	OD22(R=1.2)	22	38	52	18
GDA6124	OD28(R=1.2)	28	42	56	22
GDA6125	OD35(R=1.2)	35	52	62	28
GDA6126	OD42(R=1.2)	42	60	72	30
GDA6127	OD54(R=1.2)	54	72	84	37
GDA6128	OD76.1(R=1.2)	76.1	102	120	49
GDA6129	OD88.9(R=1.2)	88.9	115	134	55
GDA6130	OD108(R=1.2)	108	142	163	67

60° Elbow with Plain Ends


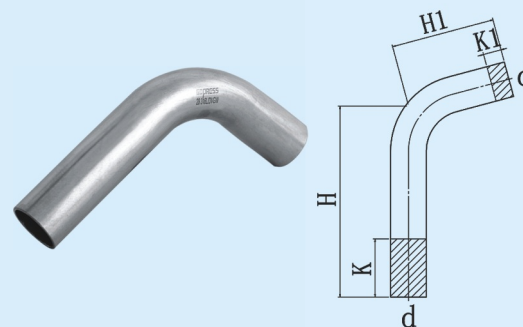
ITEM NO	Specifications	d	H1	H	K1	K
GDA5521	OD15	15	60	122	25	87
GDA5522	OD18	18	60	122	24	106
GDA5523	OD22	22	60	118	18	76
GDA5524	OD28	28	80	120	31	71
GDA5525	OD35	35	120	200	62	142
GDA5526	OD42	42	150	250	79	179
GDA5527	OD54	54	200	300	115	215
GDA5528	OD76.1	76.1	215	215	95	95
GDA5529	OD88.9	88.9	256	256	118	118
GDA5530	OD108	108	292	292	142	142

90° Elbow with Plain Ends


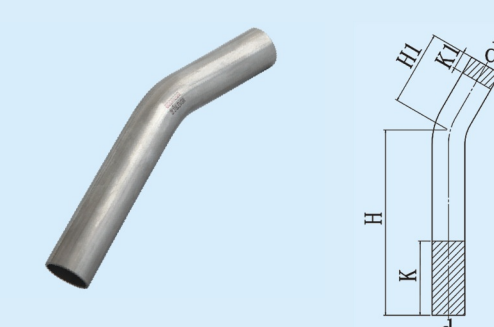
ITEM NO	Specifications	d	H1	H	K1	K
GDA5501	OD15	15	70	120	24	74
GDA5502	OD18	18	70	120	22	72
GDA5503	OD22	22	70	120	13	63
GDA5504	OD28	28	80	120	12	52
GDA5505	OD35	35	120	200	40	120
GDA5506	OD42	42	150	250	50	150
GDA5507	OD54	54	200	300	80	180
GDA5508	OD76.1	76.1	250	250	82	82
GDA5509	OD88.9	88.9	291	291	97	97
GDA5510	OD108	108	364	364	129	129

45° Elbow with Plain Ends


ITEM NO	Specifications	d	H1	H	K1	K
GDA5531	OD15	15	62	120	31	89
GDA5532	OD18	18	58	124	26	92
GDA5533	OD22	22	76	120	40	84
GDA5534	OD28	28	78	122	36	80
GDA5535	OD35	35	94	206	45	157
GDA5536	OD42	42	114	262	55	203
GDA5537	OD54	54	146	321	75	250
GDA5538	OD76.1	76.1	225	225	124	124
GDA5539	OD88.9	88.9	267	267	151	151
GDA5540	OD108	108	293	293	151	151

75° Elbow with Plain Ends


ITEM NO	Specifications	d	H1	H	K1	K
GDA5511	OD15	15	65	120	25	80
GDA5512	OD18	18	65	120	23	78
GDA5513	OD22	22	64	118	15	69
GDA5514	OD28	28	71	114	13	56
GDA5515	OD35	35	110	200	42	132
GDA5516	OD42	42	137	251	53	167
GDA5517	OD54	54	178	305	77	204
GDA5518	OD76.1	76.1	240	240	98	98
GDA5519	OD88.9	88.9	280	280	117	117
GDA5520	OD108	108	345	345	147	147

30° Elbow with Plain Ends


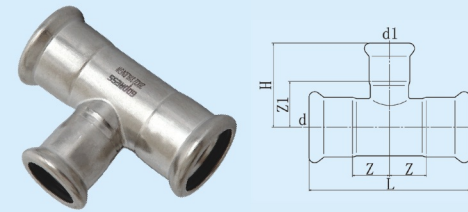
ITEM NO	Specifications	d	H1	H	K1	K
GDA5541	OD15	15	60	122	33	95
GDA5542	OD18	18	55	128	27	100
GDA5543	OD22	22	70	124	39	93
GDA5544	OD28	28	80	120	45	85
GDA5545	OD35	35	120	200	79	159
GDA5546	OD42	42	150	250	101	201
GDA5547	OD54	54	200	300	142	242
GDA5548	OD76.1	76.1	201	201	117	117
GDA5549	OD88.9	88.9	241	241	145	145
GDA5550	OD108	108	263	263	145	145

15° Elbow with Plain Ends



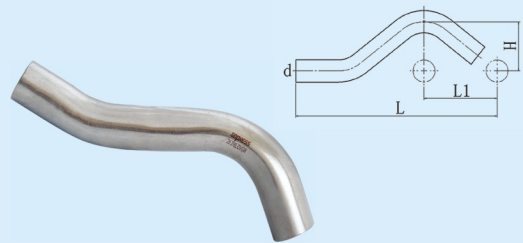
ITEM NO	Specifications	d	H1	H	K1	K
GDA5551	OD15	15	60	122	36	98
GDA5552	OD18	18	55	128	31	104
GDA5553	OD22	22	70	124	44	98
GDA5554	OD28	28	80	120	51	91
GDA5555	OD35	35	120	200	97	177
GDA5556	OD42	42	150	250	110	210
GDA5557	OD54	54	200	300	153	253
GDA5558	OD76.1	76.1	228	228	159	159
GDA5559	OD88.9	88.9	240	240	162	162
GDA5560	OD108	108	249	249	152	152

Reducing Tee



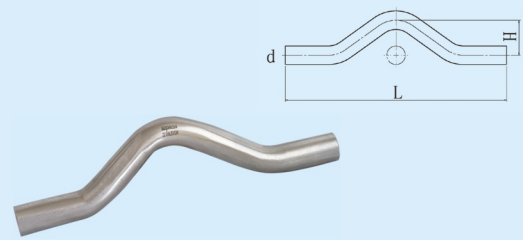
ITEM NO	Specifications	d	d1	L	Z	H	Z1
GDA5191	OD18×OD15	18	15	68	14	40	20
GDA5192	OD22×OD15	22	15	74	16	42	22
GDA5193	OD22×OD18	22	18	74	16	42	22
GDA5194	OD28×OD15	28	15	84	19	45	25
GDA5195	OD28×OD18	28	18	84	19	45	25
GDA5196	OD28×OD22	28	22	84	19	47	26
GDA5197	OD35×OD15	35	15	100	24	49	29
GDA5198	OD35×OD18	35	18	100	24	49	29
GDA5199	OD35×OD22	35	22	100	24	51	30
GDA5200	OD35×OD28	35	28	100	24	56	33
GDA5201	OD42×OD15	42	15	114	27	53	33
GDA5202	OD42×OD18	42	18	114	27	53	33
GDA5203	OD42×OD22	42	22	114	27	55	34
GDA5204	OD42×OD28	42	28	114	27	60	37
GDA5205	OD42×OD35	42	35	114	27	61	34
GDA5206	OD54×OD15	54	15	138	34	59	39
GDA5207	OD54×OD18	54	18	138	34	59	39
GDA5208	OD54×OD22	54	22	138	34	61	40
GDA5209	OD54×OD28	54	28	138	34	66	43
GDA5210	OD54×OD35	54	35	138	34	67	40
GDA5211	OD54×OD42	54	42	138	34	72	38
GDA5212	OD76.1×OD22	76.1	22	230	62	71	50
GDA5213	OD76.1×OD28	76.1	28	230	62	76	53
GDA5214	OD76.1×OD35	76.1	35	230	62	77	50
GDA5215	OD76.1×OD42	76.1	42	230	62	82	48
GDA5216	OD76.1×OD54	76.1	54	230	62	87	53
GDA5217	OD88.9×OD22	88.9	22	260	70	78	58
GDA5218	OD88.9×OD28	88.9	28	260	70	83	61
GDA5219	OD88.9×OD35	88.9	35	260	70	84	58
GDA5220	OD88.9×OD42	88.9	42	260	70	89	58
GDA5221	OD88.9×OD54	88.9	54	260	70	94	63
GDA5222	OD88.9×OD76.1	88.9	76.1	260	70	118	69
GDA5223	OD108×OD22	108	22	310	80	90	73
GDA5224	OD108×OD28	108	28	310	80	95	76
GDA5225	OD108×OD35	108	35	310	80	96	69
GDA5226	OD108×OD42	108	42	310	80	101	67
GDA5227	OD108×OD54	108	54	310	80	106	71
GDA5228	OD108×OD76.1	108	76.1	310	80	130	77
GDA5229	OD108×OD88.9	108	88.9	310	80	140	80

Bridge



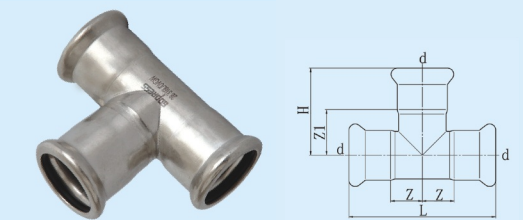
ITEM NO	Specifications	d	L	L1	H
GDA5171	OD15	15	158	57	37
GDA5172	OD18	18	165	60	40
GDA5173	OD22	22	178	65	44
GDA5174	OD28	28	210	74	50

Long Bridge



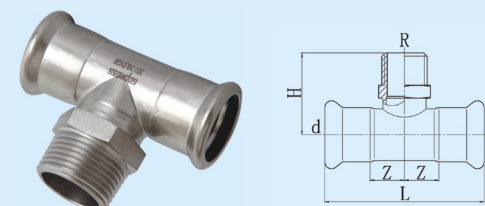
ITEM NO	Specifications	d	L	H
GDA5176	OD15	15	202	31
GDA5177	OD18	18	215	34
GDA5178	OD22	22	240	37
GDA5179	OD28	28	280	44

Tee



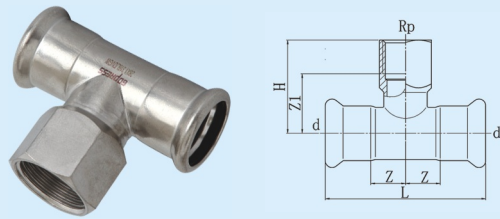
ITEM NO	Specifications	d	L	H	Z	Z1
GDA5181	OD15	15	66	39	13	19
GDA5182	OD18	18	68	40	14	20
GDA5183	OD22	22	74	44	16	23
GDA5184	OD28	28	84	52	19	29
GDA5185	OD35	35	100	57	27	31
GDA5186	OD42	42	114	66	27	36
GDA5187	OD54	54	138	77	34	42
GDA5188	OD76.1	76.1	230	111	62	58
GDA5189	OD88.9	88.9	260	128	70	68
GDA5190	OD108	108	310	156	75	81

Tee with Male Thread Ends



ITEM NO	Specifications	d	R	L	H	Z
GDA5231	OD15×R1/2	15	1/2	66	36	13
GDA5232	OD18×R1/2	18	1/2	68	38	14
GDA5239	OD22×R1/2	22	1/2	74	41	16
GDA5233	OD22×R3/4	22	3/4	74	44	16
GDA5234	OD22×R1	22	1	74	47	16
GDA5240	OD28×R1/2	28	1/2	84	44	19
GDA5235	OD28×R1	28	1	84	50	19
GDA5236	OD35×R1 1/4	35	1 1/4	100	56	24
GDA5237	OD42×R1 1/2	42	1 1/2	114	60	27
GDA5238	OD54×R2	54	2	138	75	34

Tee with Female Thread Ends



ITEM NO	Specifications	d	Rp	L	H	Z	Z1
GDA5241	OD15×Rp1/2	15	1/2	66	38	13	24
GDA5242	OD18×Rp1/2	18	1/2	68	41	14	27
GDA5243	OD18×Rp3/4	18	3/4	68	43	14	28
GDA5244	OD22×Rp1/2	22	1/2	74	42	16	28
GDA5245	OD22×Rp3/4	22	3/4	74	45	16	30
GDA5246	OD28×Rp1/2	28	1/2	84	45	19	31
GDA5247	OD28×Rp3/4	28	3/4	84	47	19	32
GDA5248	OD28×Rp1	28	1	84	52	19	36
GDA5249	OD35×Rp1/2	35	1/2	100	49	24	34
GDA5250	OD35×Rp3/4	35	3/4	100	51	24	36
GDA5262	OD35×Rp1	35	1	100	56	24	40
GDA5263	OD35×Rp1 1/4	35	1 1/4	100	57	24	37
GDA5251	OD42×Rp1/2	42	1/2	114	53	27	39
GDA5252	OD42×Rp3/4	42	3/4	114	54	27	39
GDA5264	OD42×Rp1	42	1	114	59	27	43
GDA5265	OD42×Rp1 1/2	42	1 1/2	114	60	27	40
GDA5253	OD54×Rp1/2	54	1/2	138	58	34	44
GDA5254	OD54×Rp3/4	54	3/4	138	60	34	45
GDA5266	OD54×Rp1	54	1	138	65	34	49
GDA5255	OD54×Rp2	54	2	138	78	34	54
GDA5256	OD76.1×Rp3/4	76.1	3/4	230	70	62	55
GDA5257	OD76.1×Rp2	76.1	2	230	88	62	64
GDA5258	OD88.9×Rp3/4	88.9	3/4	260	78	70	62
GDA5259	OD88.9×Rp2	88.9	2	260	96	70	71
GDA5260	OD108×Rp3/4	108	3/4	310	86	80	71
GDA5261	OD108×Rp2	108	2	310	104	80	79

Flange with Pressing Socket



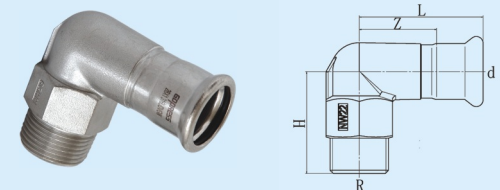
ITEM NO	Specifications	d	D	k	L	T	m	d1	Z
GDA5301	OD15	15	95	65	43	11	14	12	23
GDA5302	OD18	18	95	65	43	11	14	15	23
GDA5303	OD22	22	105	75	47	12	14	20	26
GDA5304	OD28	28	115	85	54	14	14	25	31
GDA5305	OD35	35	140	100	62	15	18	32	36
GDA5306	OD42	42	150	110	70	16	18	40	40
GDA5307	OD54	54	165	125	84	18	18	50	49
GDA5308	OD76.1	76.1	185	145	129	18	18	65	76
GDA5309	OD88.9	88.9	200	160	148	20	18	80	88
GDA5310	OD108	108	220	180	173	20	18	100	98

Elbow Adaptor 90° with Male Thread Ends



ITEM NO	Specifications	d	R	L	H	Z
GDA6271	OD15×R1/2	15	1/2	43	46	23
GDA6272	OD18×R1/2	18	1/2	46	47	26
GDA6273	OD22×R3/4	22	3/4	53	55	32
GDA6274	OD28×R1	28	1	64	65	41
GDA6275	OD35×R1 1/4	35	1 1/4	78	75	52
GDA6276	OD42×R1 1/2	42	1 1/2	90	83	60
GDA6277	OD54×R2	54	2	110	106	75

90° Male Elbow



ITEM NO	Specifications	d	R	L	H	Z
GDA5271	OD15×R1/2	15	1/2	55	37	35
GDA5272	OD18×R1/2	18	1/2	57	39	37
GDA5273	OD22×R3/4	22	3/4	61	46	39
GDA5274	OD28×R1	28	1	68	54	45
GDA5275	OD35×R1 1/4	35	1 1/4	76	63	50
GDA5276	OD42×R1 1/2	42	1 1/2	84	67	54
GDA5277	OD54×R2	54	2	94	77	59

Elbow Adaptor 90° with Female Thread Ends



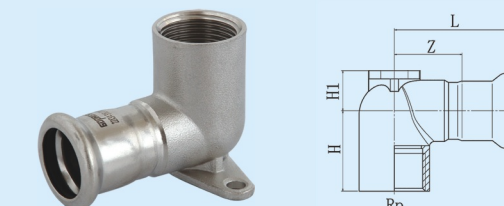
ITEM NO	Specifications	d	Rp	L	H	Z
GDA6291	OD15×Rp1/2	15	1/2	43	47	23
GDA6292	OD18×Rp1/2	18	1/2	46	52	26
GDA6293	OD22×Rp3/4	22	3/4	53	55	32
GDA6294	OD28×Rp1	28	1	64	67	41
GDA6295	OD35×Rp1 1/4	35	1 1/4	78	78	52

90° Female Elbow



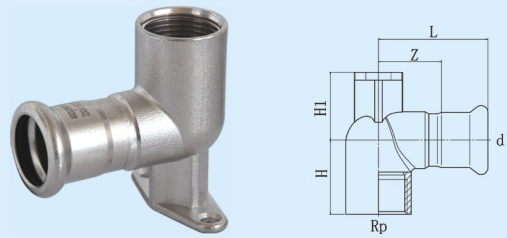
ITEM NO	Specifications	d	Rp	L	H	Z
GDA5291	OD15×Rp1/2	15	1/2	55	37	35
GDA5292	OD18×Rp1/2	18	1/2	57	39	37
GDA5293	OD22×Rp3/4	22	3/4	61	46	39
GDA5294	OD28×Rp1	28	1	68	54	45
GDA5295	OD35×Rp1 1/4	35	1 1/4	76	63	50

90° female Elbow with Wall Plate



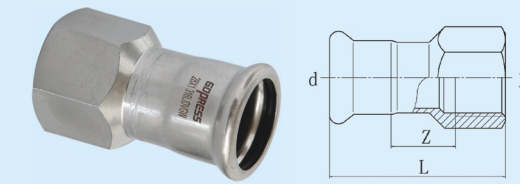
ITEM NO	Specifications	d	Rp	L	H	H1	Z
GDA5321	OD15×Rp1/2	15	1/2	50	30	13	30
GDA5322	OD18×Rp1/2	18	1/2	50	30	13	30
GDA5323	OD22×Rp3/4	22	3/4	55	34	17	34

90° Female Elbow with Long Wall Plate



ITEM NO	Specifications	d	Rp	L	H	H1	Z
GDA5326	OD15×Rp1/2	15	1/2	50	30	35	30
GDA5327	OD18×Rp1/2	18	1/2	50	30	35	30
GDA5328	OD22×Rp3/4	22	3/4	55	34	31	34

Adaptor with Female Thread Ends



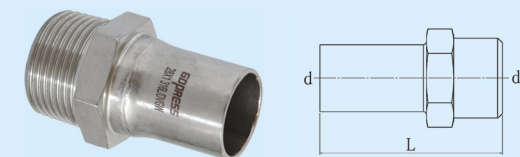
ITEM NO	Specifications	d	Rp	L	Z
GDA5381	OD15×Rp1/2	15	1/2	55	20
GDA5382	OD15×Rp3/4	15	3/4	59	21
GDA5383	OD18×Rp1/2	18	1/2	57	24
GDA5384	OD18×Rp3/4	18	3/4	59	26
GDA5385	OD22×Rp1/2	22	1/2	58	24
GDA5386	OD22×Rp3/4	22	3/4	61	25
GDA5387	OD22×Rp1	22	1	66	26
GDA5388	OD28×Rp3/4	28	3/4	65	26
GDA5389	OD28×Rp1	28	1	70	28
GDA5390	OD28×Rp1 1/4	28	1 1/4	71	26
GDA5391	OD35×Rp1	35	1	66	20
GDA5392	OD35×Rp1 1/4	35	1 1/4	72	25
GDA5393	OD35×Rp1 1/2	35	1 1/2	72	25
GDA5394	OD42×Rp1 1/4	42	1 1/4	71	20
GDA5395	OD42×Rp1 1/2	42	1 1/2	77	26
GDA5396	OD54×Rp1 1/2	54	1 1/2	76	21
GDA5397	OD54×Rp2	54	2	94	34
GDA5398	OD76.1×Rp2 1/2	76.1	2 1/2	117	38
GDA5399	OD88.9×Rp3	88.9	3	130	36
GDA5400	OD108×Rp4	108	4	156	41

Adaptor with Union Nut



ITEM NO	Specifications	d	G	L	Z
GDA5341	OD15×G1/2	15	1/2	50	18
GDA5353	OD15×G3/4	15	3/4	49	18
GDA5342	OD18×G1/2	18	1/2	51	18
GDA5343	OD18×G3/4	18	3/4	51	20
GDA5345	OD22×G1	22	1	54	21
GDA5347	OD28×G1	28	1	59	24
GDA5348	OD28×G1 1/4	28	1 1/4	61	26
GDA5350	OD35×G1 1/2	35	1 1/2	63	25
GDA5351	OD42×G1 3/4	42	1 3/4	68	25
GDA5352	OD54×G2 3/8	54	2 3/8	75	24

Adaptor with Male Thread and Plain Ends



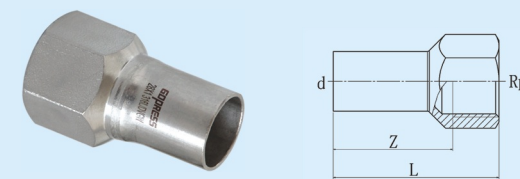
ITEM NO	Specifications	d	R	L
GDA6361	OD15×R1/2	15	1/2	52
GDA6363	OD18×R1/2	18	1/2	57
GDA6364	OD18×R3/4	18	3/4	61
GDA6365	OD22×R1/2	22	1/2	55
GDA6366	OD22×R3/4	22	3/4	59
GDA6367	OD22×R1	22	1	62
GDA6368	OD28×R3/4	28	3/4	63
GDA6369	OD28×R1	28	1	66
GDA6370	OD28×R1 1/4	28	1 1/4	68
GDA6372	OD35×R1 1/4	35	1 1/4	80
GDA6375	OD42×R1 1/2	42	1 1/2	91
GDA6377	OD54×R2	54	2	102

Adaptor with Male Thread Ends



ITEM NO	Specifications	d	R	L	Z
GDA5361	OD15×R1/2	15	1/2	54	19
GDA5362	OD15×R3/4	15	3/4	58	20
GDA5363	OD18×R1/2	18	1/2	54	19
GDA5364	OD18×R3/4	18	3/4	58	24
GDA5365	OD22×R1/2	22	1/2	56	20
GDA5366	OD22×R3/4	22	3/4	60	23
GDA5367	OD22×R1	22	1	63	23
GDA5368	OD28×R3/4	28	3/4	65	25
GDA5369	OD28×R1	28	1	68	26
GDA5370	OD28×R1 1/4	28	1 1/4	70	25
GDA5371	OD35×R1	35	1	69	24
GDA5372	OD35×R1 1/4	35	1 1/4	71	24
GDA5373	OD35×R1 1/2	35	1 1/2	71	24
GDA5374	OD42×R1 1/4	42	1 1/4	76	28
GDA5375	OD42×R1 1/2	42	1 1/2	76	28
GDA5376	OD54×R1 1/2	54	1 1/2	84	29
GDA5377	OD54×R2	54	2	90	28
GDA5378	OD76.1×R2 1/2	76.1	2 1/2	120	35
GDA5379	OD88.9×R3	88.9	3	132	37
GDA5380	OD108×R4	108	4	157	42

Adaptor with Female Thread and Plain Ends



ITEM NO	Specifications	d	Rp	L	Z
GDA6381	OD15×Rp1/2	15	1/2	55	40
GDA6383	OD18×Rp1/2	18	1/2	61	46
GDA6384	OD18×Rp3/4	18	3/4	62	45
GDA6385	OD22×Rp1/2	22	1/2	58	43
GDA6386	OD22×Rp3/4	22	3/4	60	43
GDA6388	OD28×Rp3/4	28	3/4	63	46
GDA6389	OD28×Rp1	28	1	68	49
GDA6392	OD35×Rp1 1/4	35	1 1/4	83	61
GDA6395	OD42×Rp1 1/2	42	1 1/2	94	72
GDA6397	OD54×Rp2	54	2	101	80

Cap



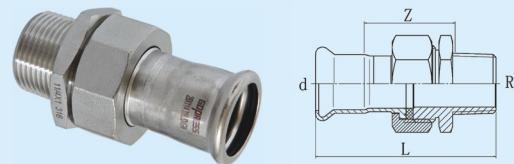
ITEM NO	Specifications	d	L	Z
GDA5421	OD15	15	34	14
GDA5422	OD18	18	35	15
GDA5423	OD22	22	39	18
GDA5424	OD28	28	48	25
GDA5425	OD35	35	51	25
GDA5426	OD42	42	59	29
GDA5427	OD54	54	67	32
GDA5428	OD76.1	76.1	94	41
GDA5429	OD88.9	88.9	103	43
GDA5430	OD108	108	124	49

Adaptor Union



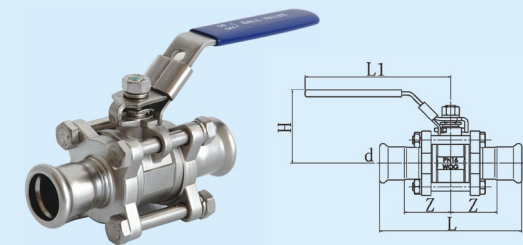
ITEM NO	Specifications	d	L	Z
GDA5471	OD15	15	89	49
GDA5472	OD18	18	92	52
GDA5473	OD22	22	99	57
GDA5474	OD28	28	112	66
GDA5475	OD35	35	119	67
GDA5476	OD42	42	128	68
GDA5477	OD54	54	141	71

Adaptor Union with Male Thread



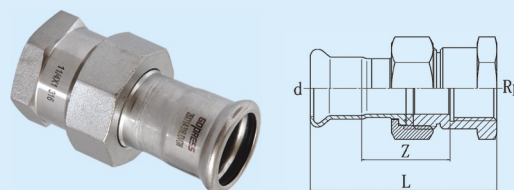
ITEM NO	Specifications	d	R	L	Z
GDA5431	OD15×R1/2	15	1/2	73	33
GDA5432	OD15×R3/4	15	3/4	76	37
GDA5433	OD18×R1/2	18	1/2	76	37
GDA5434	OD18×R3/4	18	3/4	76	37
GDA5435	OD22×R1/2	22	1/2	78	38
GDA5436	OD22×R3/4	22	3/4	82	43
GDA5437	OD22×R1	22	1	86	43
GDA5438	OD28×R1	28	1	93	49
GDA5439	OD35×R1 1/4	35	1 1/4	102	52
GDA5440	OD42×R1 1/2	42	1 1/2	107	53
GDA5441	OD54×R2	54	2	118	55

3PC Press Valve



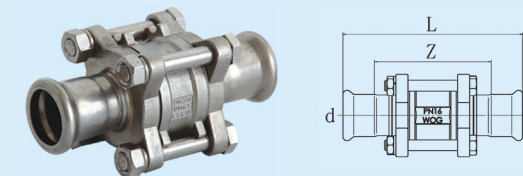
ITEM NO	Specifications	d	L	H	L1	Z
GDA7001	OD15	15	103	51	104	32
GDA7002	OD18	18	106	53	104	33
GDA7003	OD22	22	118	65	126	38
GDA7004	OD28	28	135	77	144	44
GDA7005	OD35	35	150	82	144	49
GDA7006	OD42	42	168	95	189	54
GDA7007	OD54	54	200	102	189	65
GDA7008	OD76.1	76.1	273	119	223	84
GDA7009	OD88.9	88.9	312	126	223	96
GDA7010	OD108	108	369	169	298	109

Adaptor Union with Female Thread



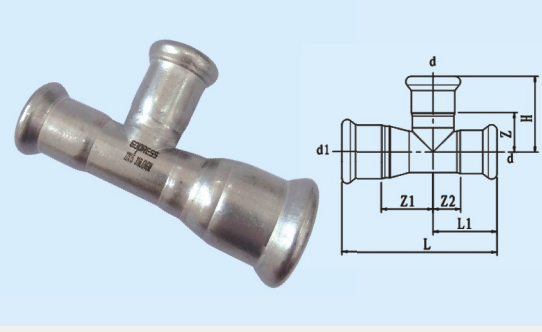
ITEM NO	Specifications	d	Rp	L	Z
GDA5451	OD15×Rp1/2	15	1/2	70	34
GDA5452	OD15×Rp3/4	15	3/4	72	38
GDA5453	OD18×Rp1/2	18	1/2	72	36
GDA5454	OD18×Rp3/4	18	3/4	76	38
GDA5455	OD22×Rp3/4	22	3/4	81	42
GDA5456	OD22×Rp1	22	1	83	42
GDA5457	OD28×Rp1	28	1	88	45
GDA5458	OD35×Rp1 1/4	35	1 1/4	95	46
GDA5459	OD42×Rp1 1/2	42	1 1/2	101	47
GDA5460	OD54×Rp2	54	2	109	50

3PC-spring Vertical Press Check Valve



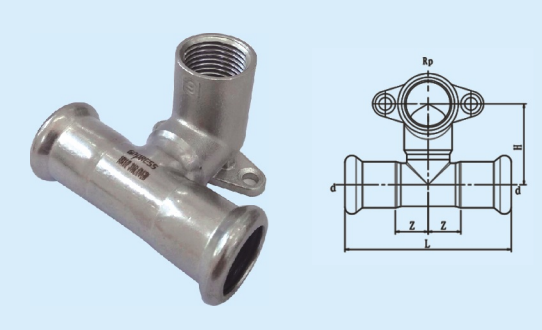
ITEM NO	Specifications	d	L	Z
GDA7021	OD15	15	100	60
GDA7022	OD18	18	103	63
GDA7023	OD22	22	112	70
GDA7024	OD28	28	129	83
GDA7025	OD35	35	140	88
GDA7026	OD42	42	155	95
GDA7027	OD54	54	182	112
GDA7028	OD76.1	76.1	239	133
GDA7029	OD88.9	88.9	271	151
GDA7030	OD108	108	316	166

T-piece Reduced



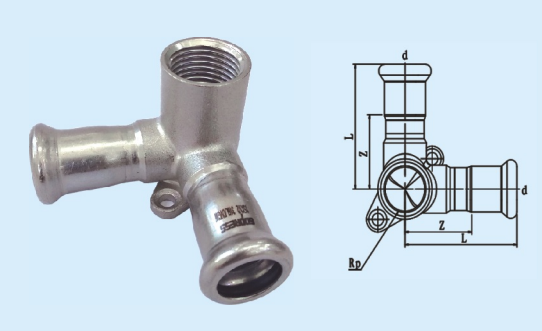
ITEM NO	Specifications	d	d1	L	L1	Z	Z1	Z2	H
GDA5501	OD18×15×15	15	18	77	33	19	24	13	39
GDA5502	OD22×15×15	15	22	85	33	19	31	13	39
GDA5503	OD22×18×18	18	22	79	34	20	24	14	40
GDA5504	OD28×22×22	22	28	89	37	23	29	16	44

Misaligned T-piece



ITEM NO	Specifications	d	L	H	Z	Rp
GDA7051	OD15×1/2	15	66	39	13	1/2

Double Tap Connector 90/90 with Female Thread



ITEM NO	Specifications	d	L	Z	Rp
GDA7061	OD15×1/2	15	50	30	1/2

RIGHT STEPS FOR THE INSTALLATION

Step 1 – cutting

Cut the pipes using suitable tools that will avoid the risk of buckling. For example, the machine oxygen cutting and the use of a disc grinding wheel are not recommended.

Step 2 – deburring

Carefully deburr the pipe, both internally and externally, as a possible residual burr could damage the O-ring and compromise the connection tightness.

Step 3 – O-ring checking

Check the correct position of the O-ring inside the toroidal chamber and lubricate it with water or soap. Do not use oil or grease at all.

Step 4 – insertion

Put the pipe into the fitting and push it through a slight rotation until it's complete stop.

Step 5 – marking

Fix the correct position between them using a marking pen in order to see possible movements before pressing.

Step 6 – providing the pressing tool

Provide the pressing tool with the suitable jaw as per the diameter of the fitting to be pressed.

Step 7 – setting pressing tool

Set the pressing tool in a correct way so that the toroidal chamber is inside the proper housing of the jaw.

Step 8 – pressing

Carry out the pressing process until the jaw-halves come in contact.

Step 9 – after pressing

Once pressed, the fitting guarantees both the stiffness of the whole system and the perfect tightness of the O-ring. Connections are now no longer divisible and resist against high stress.

PIPE DIMENSION

Specifications	DVGW W534 EN 10312 series 2 GB/T 19228.2 series 1		EN 10312 series 1	
	OD	WT	OD	WT
DN12	15	1.0	15	0.6
DN15	18	1.0	18	0.7
DN20	22	1.2	22	0.7
DN25	28	1.2	28	0.8
DN32	35	1.5	35	1.0
DN40	42	1.5	42	1.1
DN50	54	1.5	54	1.2
			66.7	1.2
DN65	76.1	2	76.1	1.5
DN80	88.9	2		
DN100	108	2	108	1.5

