



GRANDE-TEK



# THREADED FITTINGS

## GRANDE-TEK FLOW CONTROL CO.,LTD.

Add: Industrial Zone of Yunhe Distrct, Fuyang Road, Cangzhou, Hebei, China

Tel: +86-317-2209658

Web: [www.grandetek.com](http://www.grandetek.com)

Mail: [chris@grandetek.com](mailto:chris@grandetek.com)



GRANDE-TEK FLOW CONTROL CO.,LTD.



## Company Contents

Grande-Tek Flow Control Co.,Ltd. was established in 1996 and started producing stainless steel threaded fittings and ball valves. Subsequently, with the development and expansion of the company, stainless steel castings, press fittings, fully welded ball valves, and tank valves were launched. Until now, about 70% of Grande-Tek products are exported to more than 40 countries ranging from Europe, Australia, America, Africa, and Asia. After receiving the approval of ISO9001 in 2002 and the CE certificate in 2003 the first casting foundry was built in 2004 successfully. Until now, Grande-Tek owns two casting foundries in China and one casting foundry in Vietnam to expand its production capacity and meet the market requirements. Distribution & service networks were also set up in several countries to serve its customers better. At the same time, the company always attaches great importance to the staff, community, and the environment thereby prompting it to obtain certificates ISO14001 and ISO45001(OHSAS 18001) and strive for a sense of peace and harmony.

Stainless steel threaded fittings are commonly used in water gas pipes, small-diameter water pipes, compressed air pipes, low-pressure steam pipes, etc., which connect with threaded pipe ends to form pipelines. As an environmentally friendly product that replaces traditional carbon steel, aluminum, and copper products, it has the advantages of long usage life, beautiful appearance, acid and alkali resistance, and corrosion resistance. It is an ideal choice for pipeline equipment in the areas of drinking water, chemical industry, heating, oil and gas, food, medicine, etc.

Since 1996, Grande-Tek has started the production of stainless steel threaded fittings. Now they are manufactured in an independent workshop that was officially completed and put into operation in 2014. There are four automatic processing production lines, with a monthly production capacity reaching 500,000 pieces. Now the products are regularly exported to more than 40 countries.



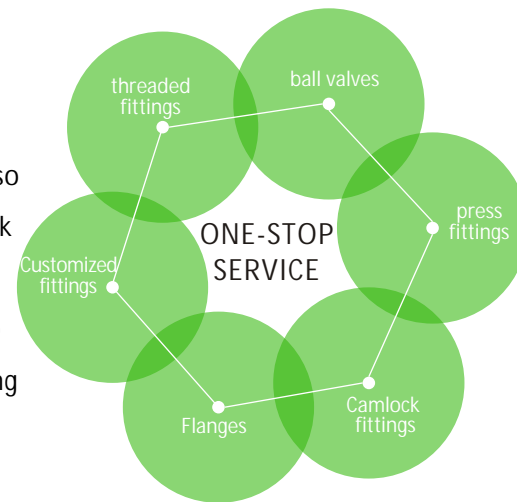
## ◎ QUALITY ASSURANCE

Grande-Tek has more than 25 years of experience in the stainless steel threaded fittings industry, and about 15% of staff have worked here for more than ten years. The production processes are strictly controlled in compliance with ISO9001, and all the products are guaranteed to meet international standards. Grande-Tek has stable cooperation with Fortune 500 enterprises and enjoys a high reputation. Besides, all delivered products are insured each year, and the maximum amount insured can reach 2 million USD, which is also a double guarantee for quality.



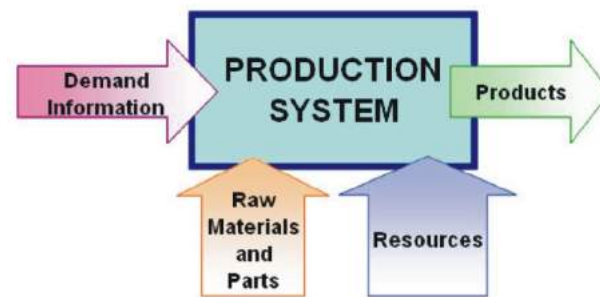
## ◎ ONE-STOP SERVICE

As well as stainless steel threaded fittings, Grande-Tek can also supply press fittings, threaded ball valves, flanged valves, camlock fittings, flanges, or other customized fittings. You can get a complete range of products from Grande-Tek, which can also save you communication and transportation costs while ensuring the same quality of products.



## ◎ IN-TIME DELIVERY

The key to ensuring on-time delivery is Grande-Tek digital production management system developed independently. Through the system, each production process can be recorded from material purchasing to order dispatch, which helps to follow the order status easily. With the help of the system, the error between the actual delivery date and the planned delivery date is controlled within one day.



# INDEX



### SS Threaded Fittings

Hex. Nipple	06
Reducing Nipple	06
Equal Tee	07
Reducing Tee	08
Y Tee	08
Cross	08
Hex. Nut	09
Socket Banded	09
Reducing Socket	10
Hose Nipple Male×Hose Barb	12
Hose Nipple Female×Hose Barb	13
90° Elbow	13
90° Street Elbow	14
90° Reducing Elbow	14
45° Elbow	15
45° Street Elbow	15
Round Cap	16
Hex. Cap	16
Hex. Plug	17
Square Plug	17
Hex. Socket Plug	18
Reducing Bushing	18
Adaptor	20
Union Female×Female	20
Union Female×Male	21
Union Male×Male	22
Union Female×Butt Weld	23

Union Socket Weld	24
90° Elbow Union Female×Female	24
90° Elbow Union Female×Male	25
Tee Union Female×Female	25
Tee Union Female×Male	26
Barrel Nipple	26
Welding Nipple	37
Parrel Nipple & Close Nipple	40
Socket	41
Hose Joiner	43
All thread	43



### SS&AL&PP Camlock Fittings

Type A	45
Type B	45
Type C	46
Type D	47
Type E	48
Type F	49
Type DC	50
Type DP	51



### SS Flanges

Slip On Flange	53
Screwed Flange	58
Blind Flange	60



### Customized Fittings

	63
--	----



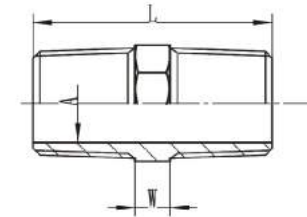
# SS Threaded Fittings

Grande-Tek manufactures a complete range of stainless steel threaded fittings, that could be tracked with heat numbers, and the Mill Test Report could be provided correspondingly. At the same time, the fittings are also inspected in every manufacturing process to be ensured compliance with the international standard before they are released into the market.

Grande-Tek threaded fittings could be divided into two kinds as per technology. One is made of precision investment casting technology, such as elbow, tee, cap, plug, etc. Due to the characteristics of precision investment casting, Grande-Tek fittings have the quality of perfect-surface finish, fewer casting defects, and competitive cost. Designed per standards ISO4144 & SP114, they are widely used in low-pressure working conditions in all markets. The other is pipe-made fittings, such as barrel nipples, welding nipples, close nipples, sockets, etc. Nipples are mostly made of SCH40 and SCH80 pipes. Compared with SCH40, SCH80 pipe has a thicker wall and can be used in relatively higher-pressure working conditions. The lengths of the nipples are designed as to standards EN10241 and ASME A733 and can be customized to your request. To meet market requirements, Grande-Tek has designed sockets in ISO 4144, DIN2986, and SP114 for your choice.

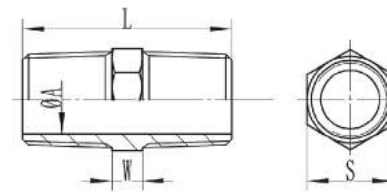
Design	ISO 4144/SP114/DIN2986/EN10241/ASME A733
Technology	Precision Investment Casting, Pipes SCH40&SCH80
Size	DN8-DN100 (1/8"-4")
Pressure	Class 150/Class300
Material	ASTM351-CF8& CF8M,ASTM A312-TP304 & TP304L & T316L
Thread	ISO7-1/ISO228/DIN2999/BS21/ASME B1.20.1

## Hex. Nipple(ISO4144)



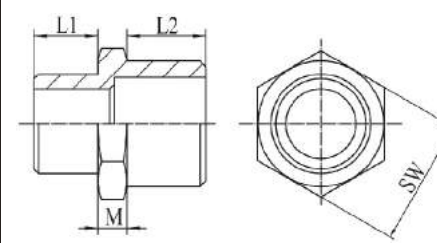
Item No.(304)	Item No.(316)	Inch	DN	L	W	A	Squares
C4GS-F01006	C6GS-F01006	1/8"	6	20	4	5.5	Hex
C4GS-F01008	C6GS-F01008	1/4"	8	25	4	8	Hex
C4GS-F01010	C6GS-F01010	3/8"	10	27	5	11.5	Hex
C4GS-F01015	C6GS-F01015	1/2"	15	34	5	15	Hex
C4GS-F01020	C6GS-F01020	3/4"	20	36.5	5.5	20.5	Oct
C4GS-F01025	C6GS-F01025	1"	25	42	6	26	Oct
C4GS-F01032	C6GS-F01032	1 1/4"	32	47.5	6.5	34.5	Oct
C4GS-F01040	C6GS-F01040	1 1/2"	40	47.5	6.5	40	Oct
C4GS-F01050	C6GS-F01050	2"	50	57	7	51	Oct
C4GS-F01065	C6GS-F01065	2 1/2"	65	61	7	65.5	Dec
C4GS-F01080	C6GS-F01080	3"	80	67.5	7.5	77.5	Dec
C4GS-F01100	C6GS-F01100	4"	100	80	8	101.5	Dec

## Hex. Nipple(Heavy)



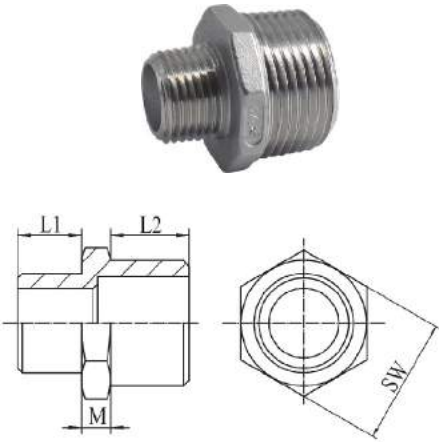
Item No.(304)	Item No.(316)	Inch	DN	L	W	S	A	Squares
C4GH-F01006	C6GH-F01006	1/8"	6	23	5	11	5.3	Hex
C4GH-F01008	C6GH-F01008	1/4"	8	30	5	14.5	7.8	Hex
C4GH-F01010	C6GH-F01010	3/8"	10	32	6	18.5	11.3	Hex
C4GH-F01015	C6GH-F01015	1/2"	15	39	6	22.5	14.8	Hex
C4GH-F01020	C6GH-F01020	3/4"	20	42.5	6.5	28	20.2	Oct
C4GH-F01025	C6GH-F01025	1"	25	48	7	34	25.7	Oct
C4GH-F01032	C6GH-F01032	1 1/4"	32	54.5	7.5	44	34	Oct
C4GH-F01040	C6GH-F01040	1 1/2"	40	54.5	7.5	50	39.5	Oct
C4GH-F01050	C6GH-F01050	2"	50	64	8	62	50.5	Oct
C4GH-F01065	C6GH-F01065	2 1/2"	65	73	8	78	65	Dec
C4GH-F01080	C6GH-F01080	3"	80	80.5	8.5	90.5	77	Dec
C4GH-F01100	C6GH-F01100	4"	100	93	9	116.5	101	Dec

## Reducing Nipple(ISO4144)



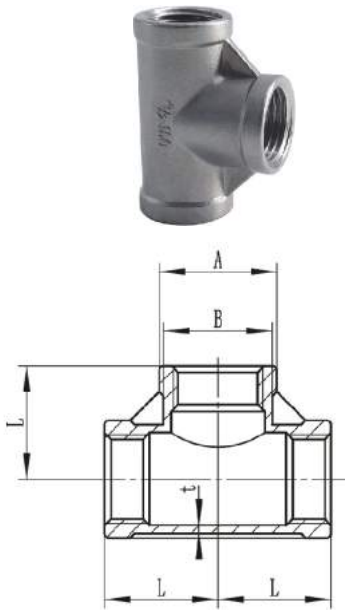
Item No.(304)	Item No.(316)	Inch	DN	L1	M	L2	SW	Squares
C4GS-F21008006	C6GS-F21008006	1/4"×1/8"	8×6	8	4	10.5	14.5	Hex
C4GS-F21010006	C6GS-F21010006	3/8"×1/8"	10×6	8	5	11	18	Hex
C4GS-F21010008	C6GS-F21010008	3/8"×1/4"	10×8	10.5	5	11	18	Hex
C4GS-F21015006	C6GS-F21015006	1/2"×1/8"	15×6	8	5	14.5	22	Hex
C4GS-F21015008	C6GS-F21015008	1/2"×1/4"	15×8	10.5	5	14.5	22	Hex
C4GS-F21015010	C6GS-F21015010	1/2"×3/8"	15×10	11	5	14.5	22	Hex
C4GS-F21020008	C6GS-F21020008	3/4"×1/4"	20×8	10.5	5.5	15.5	28	Oct
C4GS-F21020010	C6GS-F21020010	3/4"×3/8"	20×10	11	5.5	15.5	28	Oct
C4GS-F21020015	C6GS-F21020015	3/4"×1/2"	20×15	14.5	5.5	15.5	28	Oct
C4GS-F21025008	C6GS-F21025008	1"×1/4"	25×8	11	9	18	35	Oct
C4GS-F21025010	C6GS-F21025010	1"×3/8"	25×10	11	6	18	35	Oct
C4GS-F21025015	C6GS-F21025015	1"×1/2"	25×15	14.5	6	18	35	Oct
C4GS-F21025020	C6GS-F21025020	1"×3/4"	25×20	15.5	6	18	35	Oct
C4GS-F21032015	C6GS-F21032015	1 1/4"×1/2"	32×15	14.5	6.5	20.5	43.5	Oct
C4GS-F21032020	C6GS-F21032020	1 1/4"×3/4"	32×20	15.5	6.5	20.5	43.5	Oct
C4GS-F21032025	C6GS-F21032025	1 1/4"×1"	32×25	18	6.5	20.5	43.5	Oct
C4GS-F21040010	C6GS-F21040010	1 1/2"×3/8"	40×10	11	6.5	20.5	49	Oct
C4GS-F21040015	C6GS-F21040015	1 1/2"×1/2"	40×15	14.5	6.5	20.5	49	Oct
C4GS-F21040020	C6GS-F21040020	1 1/2"×3/4"	40×20	15	6.5	20.5	49	Oct
C4GS-F21040025	C6GS-F21040025	1 1/2"×1"	40×25	18	6.5	20.5	49	Oct
C4GS-F21040032	C6GS-F21040032	1 1/2"×1 1/4"	40×32	20.5	6.5	20.5	49	Oct

### Reducing Nipple(ISO4144)



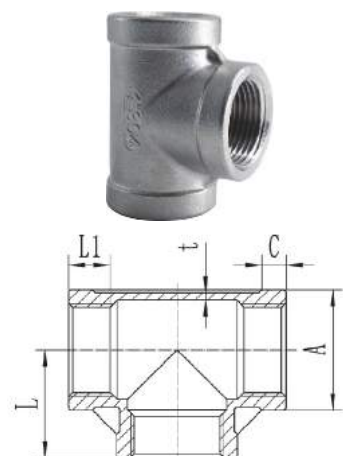
Item No.(304)	Item No.(316)	Inch	DN	L1	M	L2	SW	Squares
C4GS-F21050015	C6GS-F21050015	2"×1/2"	50×15	14	12	24	62	Oct
C4GS-F21050020	C6GS-F21050020	2"×3/4"	50×20	15.5	7	25	61.5	Oct
C4GS-F21050025	C6GS-F21050025	2"×1"	50×25	18	7	25	61.5	Oct
C4GS-F21050032	C6GS-F21050032	2"×1 1/4"	50×32	20.5	7	25	61.5	Oct
C4GS-F21050040	C6GS-F21050040	2"×1 1/2"	50×40	20.5	7	25	61.5	Oct
C4GS-F21065025	C6GS-F21065025	2 1/2"×1"	65×25	17.5	7	27	77	Dec
C4GS-F21065032	C6GS-F21065032	2 1/2"×1 1/4"	65×32	20.5	7	27	77	Dec
C4GS-F21065040	C6GS-F21065040	2 1/2"×1 1/2"	65×40	20.5	7	27	77	Dec
C4GS-F21065050	C6GS-F21065050	2 1/2"×2"	65×50	25	7	27	77	Dec
C4GS-F21080032	C6GS-F21080032	3"×1 1/4"	80×32	20	7.5	30	90.5	Dec
C4GS-F21080040	C6GS-F21080040	3"×1 1/2"	80×40	20.5	7.5	30	90.5	Dec
C4GS-F21080050	C6GS-F21080050	3"×2"	80×50	25	7.5	30	90.5	Dec
C4GS-F21080065	C6GS-F21080065	3"×2 1/2"	80×65	27	7.5	30	90.5	Dec
C4GS-F21100040	C6GS-F21100040	4"×1 1/2"	100×40	20	8	36	116	Dec
C4GS-F21100050	C6GS-F21100050	4"×2"	100×50	25	8	36	116	Dec
C4GS-F21100065	C6GS-F21100065	4"×2 1/2"	100×65	27	8	36	116.5	Dec
C4GS-F21100080	C6GS-F21100080	4"×3"	100×80	30	8	36	116.5	Dec

### Equal Tee(ISO4144)



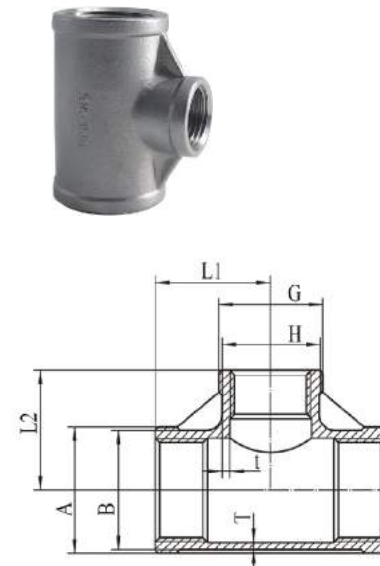
Item No.(304)	Item No.(316)	Inch	DN	L	A	B	t
C4GS-F02006	C6GS-F02006	1/8"	6	17	14.5	13	2
C4GS-F02008	C6GS-F02008	1/4"	8	19	18	16.5	2
C4GS-F02010	C6GS-F02010	3/8"	10	23	21.5	20	2
C4GS-F02015	C6GS-F02015	1/2"	15	27	26	24.5	1.8
C4GS-F02020	C6GS-F02020	3/4"	20	32	31.5	30	1.8
C4GS-F02025	C6GS-F02025	1"	25	38	39	37.5	2
C4GS-F02032	C6GS-F02032	1 1/4"	32	45	48	46.5	2.4
C4GS-F02040	C6GS-F02040	1 1/2"	40	48	55	53	2.5
C4GS-F02050	C6GS-F02050	2"	50	57	67.5	65.5	2.8
C4GS-F02065	C6GS-F02065	2 1/2"	65	69	84	82	3.3
C4GS-F02080	C6GS-F02080	3"	80	78	98.5	95.5	3.8
C4GS-F02100	C6GS-F02100	4"	100	96	124.5	121.5	4.3

### Equal Tee(Heavy)



Item No.(304)	Item No.(316)	Inch	DN	L	A	L1	t	C
C4GH-F02006	C6GH-F02006	1/8"	6	18	16	8.3	2.5	6.5
C4GH-F02008	C6GH-F02008	1/4"	8	19.5	19	10.5	2.5	6.2
C4GH-F02010	C6GH-F02010	3/8"	10	23.7	22.5	11.3	2.7	5.9
C4GH-F02015	C6GH-F02015	1/2"	15	28.9	28.2	10.6	2.2	8
C4GH-F02020	C6GH-F02020	3/4"	20	31.9	35.2	11.9	2.5	8.5
C4GH-F02025	C6GH-F02025	1"	25	36.5	43	15	2.5	10
C4GH-F02032	C6GH-F02032	1 1/4"	32	44	52	19.4	2.8	8.8
C4GH-F02040	C6GH-F02040	1 1/2"	40	48.1	59	22.5	2.5	10
C4GH-F02050	C6GH-F02050	2"	50	56.6	71.5	19.9	2.5	11.4
C4GH-F02065	C6GH-F02065	2 1/2"	65	68	89.5	22.5	4	14
C4GH-F02080	C6GH-F02080	3"	80	79.25	106	24.5	4	13.6
C4GH-F02100	C6GH-F02100	4"	100	97.1	133.7	29.6	4	15.7

### Reducing Tee(ISO4144)



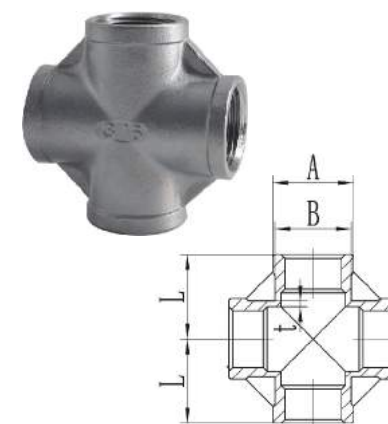
Item No.(304)	Item No.(316)	Inch	DN	L1	L2	G	H	t	A	B	T
C4GS-F22008006	C6GS-F22008006	1/4"×1/8"	8×6	18	18	14	13	1.6	18	16.5	1.6
C4GS-F22010008	C6GS-F22010008	3/8"×1/4"	10×8	20	22	18	16.5	1.6	21.5	20	1.6
C4GS-F22015008	C6GS-F22015008	1/2"×1/4"	15×8	24	24	18	16.5	1.6	26	24.5	1.8
C4GS-F22015010	C6GS-F22015010	1/2"×3/8"	15×10	26	25	21.5	20	1.6	26	24.5	1.8
C4GS-F22020010	C6GS-F22020010	3/4"×3/8"	20×10	28	28	21.5	20	1.6	31.5	30	1.8
C4GS-F22020015	C6GS-F22020015	3/4"×1/2"	20×15	29	30	26	24.5	1.8	31.5	30	1.8
C4GS-F22025015	C6GS-F22025015	1"×1/2"	25×15	32	33	26	24.5	1.8	39	37.5	2
C4GS-F22025020	C6GS-F22025020	1"×3/4"	25×20	34	35	31.5	30	1.8	39	37.5	2
C4GS-F22032015	C6GS-F22032015	1 1/4"×1/2"	32×15	33.2	38.5	27	25	1.8	49.5	47	2.3
C4GS-F22032020	C6GS-F22032020	1 1/4"×3/4"	32×20	38	40	31.5	30	1.8	48	46.5	2.4
C4GS-F22032025	C6GS-F22032025	1 1/4"×1"	32×25	40	42	39	37.5	2	48	46.5	2.4
C4GS-F22040015	C6GS-F22040015	1 1/2"×1/2"	40×15	35	41	27	25	1.8	56	53.5	2.3
C4GS-F22040020	C6GS-F22040020	1 1/2"×3/4"	40×20	39	41.7	32	30.5	1.8	55	53.5	2.5
C4GS-F22040025	C6GS-F22040025	1 1/2"×1"	40×25	41	45	39	37.5	2	55	53	2.5
C4GS-F22040032	C6GS-F22040032	1 1/2"×1 1/4"	40×32	45	48	48	46.5	2.4	55	53	2.5
C4GS-F22050020	C6GS-F22050020	2"×3/4"	50×20	40	50	31.5	30	1.8	67.5	65.5	2.8
C4GS-F22050025	C6GS-F22050025	2"×1"	50×25	42	52	39	38	2	67.5	65.5	2.8
C4GS-F22050032	C6GS-F22050032	2"×1 1/4"	50×32	48	54	48	46.5	2.4	67.5	65.5	2.8
C4GS-F22050040	C6GS-F22050040	2"×1 1/2"	50×40	52	55	55	53	2.5	67.5	65.5	2.8
C4GS-F22065020	C6GS-F22065020	2 1/2"×3/4"	65×20	45	59	31.5	30	1.8	83.5	82	3.3
C4GS-F22065040	C6GS-F22065040	2 1/2"×1 1/2"	65×40	55	62	55	53	2.5	83.5	82	3.3
C4GS-F22065050	C6GS-F22065050	2 1/2"×2"	65×50	60	65	67.5	65.5	2.8	83.5	82	3.3
C4GS-F22080050	C6GS-F22080050	3"×2"	80×50	62	72	67.5	65.5	2.8	98.5	95.5	3.8
C4GS-F22080065	C6GS-F22080065	3"×2 1/2"	80×65	72	75	84	82	3.3	98.5	95.5	3.8
C4GS-F22100065	C6GS-F22100065	4"×2 1/2"	100×65	78	90	84	82	3.3	124.5	121.5	4.3
C4GS-F22100080	C6GS-F22100080	4"×3"	100×80	83	91	98.5	95.5	3.7	124.5	121.5	4.3

### Y Tee(ISO4144)



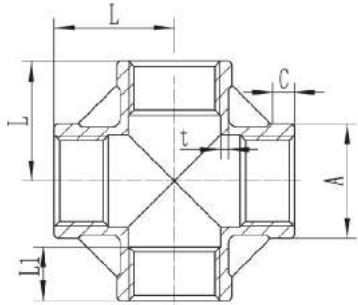
Item No.(304)	Item No.(316)	Inch	DN	A	L	L1
C4GS-F35008	C6GS-F35008	1/4"	8	18.3	20	19
C4GS-F35010	C6GS-F35010	3/8"	10	20.3	18	22.8
C4GS-F35015	C6GS-F35015	1/2"	15	27	21	28
C4GS-F35020	C6GS-F35020	3/4"	20	32.3	20	30.8
C4GS-F35025	C6GS-F35025	1"	25	40.4	29	38.8
C4GS-F35032	C6GS-F35032	1 1/4"	32	47.5	27	41
C4GS-F35040	C6GS-F35040	1 1/2"	40	56	37	47.5
C4GS-F35050	C6GS-F35050	2"	50	68.1	38	57

### Cross(ISO4144)



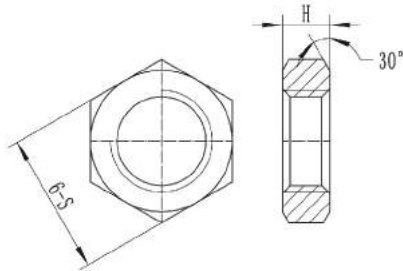
Item No.(304)	Item No.(316)	Inch	DN	L	A	B	t
C4GS-F03006	C6GS-F03006	1/8"	6	17	14.5	13	1.8
C4GS-F03008	C6GS-F03008	1/4"	8	19	18	16.5	1.8
C4GS-F03010	C6GS-F03010	3/8"	10	23	21.5	20	1.8
C4GS-F03015	C6GS-F03015	1/2"	15	27	26	24.5	1.8
C4GS-F03020	C6GS-F03020	3/4"	20	32	31.5	30	1.8
C4GS-F03025	C6GS-F03025	1"	25	38	39	37.5	2
C4GS-F03032	C6GS-F03032	1 1/4"	32	45	48	46.5	2.4
C4GS-F03040	C6GS-F03040	1 1/2"	40	48	55	53	2.5
C4GS-F03050	C6GS-F03050	2"	50	57	67.5	65.5	2.8
C4GS-F03065	C6GS-F03065	2 1/2"	65	69	84	82	3.3
C4GS-F03080	C6GS-F03080	3"	80	78	98.5	95.5	3.8
C4GS-F03100	C6GS-F03100	4"	100	96	124.5	121.5	4.3

### Cross(Heavy)



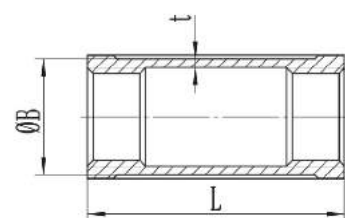
Item No.(304)	Item No.(316)	Inch	DN	L	A	L1	t	C
C4GH-F03006	C6GH-F03006	1/8"	6	17.9	16	9	2.8	7
C4GH-F03008	C6GH-F03008	1/4"	8	19.4	20	10.5	3	7
C4GH-F03010	C6GH-F03010	3/8"	10	23.3	25	11	4.2	6.6
C4GH-F03015	C6GH-F03015	1/2"	15	28.9	30	9.3	2.5	8
C4GH-F03020	C6GH-F03020	3/4"	20	32.5	35.2	12	3.3	9
C4GH-F03025	C6GH-F03025	1"	25	36.5	45.5	13.6	3.2	9
C4GH-F03032	C6GH-F03032	1 1/4"	32	43.5	53	15.8	3.5	11
C4GH-F03040	C6GH-F03040	1 1/2"	40	48.5	60.8	19.4	3.2	12
C4GH-F03050	C6GH-F03050	2"	50	56.5	74.3	20.2	3.5	12.6
C4GH-F03065	C6GH-F03065	2 1/2"	65	68.5	90.3	23	4.4	14.8
C4GH-F03080	C6GH-F03080	3"	80	78.7	106.7	25.8	4.74	14.9
C4GH-F03100	C6GH-F03100	4"	100	97	133.6	28.8	4	15.9

### Hex. Nut(ISO4144)



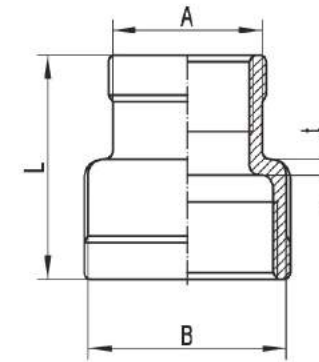
Item No.(304)	Item No.(316)	Inch	DN	H	S
C4GS-F04006	C6GS-F04006	1/8"	6	6.2	15
C4GS-F04008	C6GS-F04008	1/4"	8	6	17.8
C4GS-F04010	C6GS-F04010	3/8"	10	6.2	24
C4GS-F04015	C6GS-F04015	1/2"	15	7	29.7
C4GS-F04020	C6GS-F04020	3/4"	20	7	34
C4GS-F04025	C6GS-F04025	1"	25	9	42.5
C4GS-F04032	C6GS-F04032	1 1/4"	32	11	52
C4GS-F04040	C6GS-F04040	1 1/2"	40	11.2	58
C4GS-F04050	C6GS-F04050	2"	50	13	72
C4GS-F04065	C6GS-F04065	2 1/2"	65	14.5	91
C4GS-F04080	C6GS-F04080	3"	80	17.5	102.5
C4GS-F04100	C6GS-F04100	4"	100	19.5	129

### Socket Banded(ISO4144)



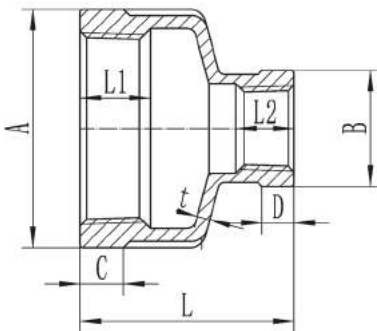
Item No.(304)	Item No.(316)	Inch	DN	L	B	t
C4GS-F05006	C6GS-F05006	1/8"	6	17	13	1.6
C4GS-F05008	C6GS-F05008	1/4"	8	24	16.5	1.6
C4GS-F05010	C6GS-F05010	3/8"	10	25	20	1.6
C4GS-F05015	C6GS-F05015	1/2"	15	32	24.5	1.8
C4GS-F05020	C6GS-F05020	3/4"	20	35	30	1.8
C4GS-F05025	C6GS-F05025	1"	25	55	37.5	2
C4GS-F05032	C6GS-F05032	1 1/4"	32	65	46.5	2.4
C4GS-F05040	C6GS-F05040	1 1/2"	40	65	53	2.5
C4GS-F05050	C6GS-F05050	2"	50	70	65.5	2.8
C4GS-F05065	C6GS-F05065	2 1/2"	65	75	82	3.3
C4GS-F05080	C6GS-F05080	3"	80	80	95.5	3.8
C4GS-F05100	C6GS-F05100	4"	100	92	121.5	4.3

### Reducing Socket (ISO4144)



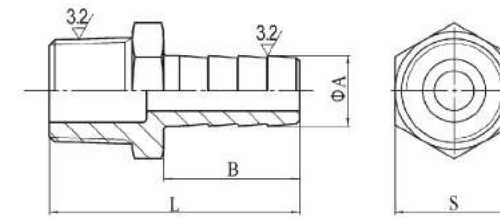
Item No.(304)	Item No.(316)	Inch	DN	A	B	L	t
C4GS-F23008006	C6GS-F23008006	1/4"×1/8"	8×6	13	16.5	25	3
C4GS-F23010006	C6GS-F23010006	3/8"×1/8"	10×6	13	20	26	3
C4GS-F23010008	C6GS-F23010008	3/8"×1/4"	10×8	16.5	20	26	3
C4GS-F23015006	C6GS-F23015006	1/2"×1/8"	15×6	13	24.5	34	3
C4GS-F23015008	C6GS-F23015008	1/2"×1/4"	15×8	16.5	24.5	34	3
C4GS-F23015010	C6GS-F23015010	1/2"×3/8"	15×10	20	24.5	34	3
C4GS-F23020006	C6GS-F23020006	3/4"×1/8"	20×6	12.5	30.5	34.5	3
C4GS-F23020008	C6GS-F23020008	3/4"×1/4"	20×8	16.5	30	36	3
C4GS-F23020010	C6GS-F23020010	3/4"×3/8"	20×10	20	30	36	3
C4GS-F23020015	C6GS-F23020015	3/4"×1/2"	20×15	24.5	30	36	3
C4GS-F23025008	C6GS-F23025008	1"×1/4"	25×8	15	38	37	3
C4GS-F23025010	C6GS-F23025010	1"×3/8"	25×10	20	37.5	42	3.5
C4GS-F23025015	C6GS-F23025015	1"×1/2"	25×15	24.5	37.5	42	3.5
C4GS-F23025020	C6GS-F23025020	1"×3/4"	25×20	30	37.5	42	3.5
C4GS-F23032008	C6GS-F23032008	1 1/4"×1/4"	32×8	15	46.5	39.5	3
C4GS-F23032010	C6GS-F23032010	1 1/4"×3/8"	32×10	18.5	46.5	41.5	3
C4GS-F23032015	C6GS-F23032015	1 1/4"×1/2"	32×15	24.5	46.5	48	3.75
C4GS-F23032020	C6GS-F23032020	1 1/4"×3/4"	32×20	30	46.5	48	3.75
C4GS-F23032025	C6GS-F23032025	1 1/4"×1"	32×25	37.5	46.5	48	3.75
C4GS-F23040010	C6GS-F23040010	1 1/2"×3/8"	40×10	18.5	53	43	3
C4GS-F23040015	C6GS-F23040015	1 1/2"×1/2"	40×15	24.5	53	52	4
C4GS-F23040020	C6GS-F23040020	1 1/2"×3/4"	40×20	30	53	52	4
C4GS-F23040025	C6GS-F23040025	1 1/2"×1"	40×25	37.5	53	52	4
C4GS-F23040032	C6GS-F23040032	1 1/2"×1 1/4"	40×32	46.5	53	52	4
C4GS-F23050015	C6GS-F23050015	2"×1/2"	50×15	25.5	65	45	3.5
C4GS-F23050020	C6GS-F23050020	2"×3/4"	50×20	30	65.5	58	4.5
C4GS-F23050025	C6GS-F23050025	2"×1"	50×25	37.5	65.5	58	4.5
C4GS-F23050032	C6GS-F23050032	2"×1 1/4"	50×32	46.5	65.5	58	4.5
C4GS-F23050040	C6GS-F23050040	2"×1 1/2"	50×40	53	65.5	58	4.5
C4GS-F23065025	C6GS-F23065025	2 1/2"×1"	65×25	37.5	81.5	64.5	5
C4GS-F23065032	C6GS-F23065032	2 1/2"×1 1/4"	65×32	46.5	81.5	64.5	5
C4GS-F23065040	C6GS-F23065040	2 1/2"×1 1/2"	65×40	53	81.5	65	5
C4GS-F23065050	C6GS-F23065050	2 1/2"×2"	65×50	65.5	81.5	65	5
C4GS-F23080032	C6GS-F23080032	3"×1 1/4"	80×32	46.5	95	72	6
C4GS-F23080040	C6GS-F23080040	3"×1 1/2"	80×40	53	95	72	6
C4GS-F23080050	C6GS-F23080050	3"×2"	80×50	65.5	95.5	72	6
C4GS-F23080065	C6GS-F23080065	3"×2 1/2"	80×65	82	95.5	72	6
C4GS-F23100040	C6GS-F23100040	4"×1 1/2"	100×40	53	121.5	93	6
C4GS-F23100050	C6GS-F23100050	4"×2"	100×50	65.5	121.5	93	6
C4GS-F23100065	C6GS-F23100065	4"×2 1/2"	100×65	82	121.5	94	6
C4GS-F23100080	C6GS-F23100080	4"×3"	100×80	95.5	121.5	94	6

### ■ Reducing Socket(Heavy)



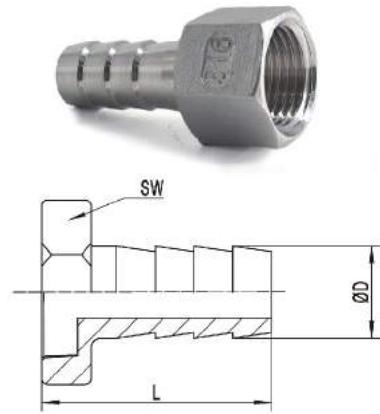
Item No.(304)	Item No.(316)	Inch	DN	L	A	B	C	D	L2	L1	t
C4GH-F23008006	C6GH-F23008006	1/4"×1/8"	8×6	28	20	15.5	6	6	7.5	8.7	3
C4GH-F23010006	C6GH-F23010006	3/8"×1/8"	10×6	41	25	15.5	7	6	9	10.5	3.8
C4GH-F23010008	C6GH-F23010008	3/8"×1/4"	10×8	41	25	19.8	7.5	6.5	10.5	13	3.8
C4GH-F23015006	C6GH-F23015006	1/2"×1/8"	15×6	44	30	15.5	7.5	6	7.5	10.5	2.5
C4GH-F23015008	C6GH-F23015008	1/2"×1/4"	15×8	44	30	20	7.5	6	12	10.5	2.5
C4GH-F23015010	C6GH-F23015010	1/2"×3/8"	15×10	44.4	30	25.5	7.5	6.5	12	10.5	2.5
C4GH-F23020006	C6GH-F23020006	3/4"×1/8"	20×6	45	36	15.2	8.5	6	9	10.5	2.2
C4GH-F23020008	C6GH-F23020008	3/4"×1/4"	20×8	45	36	20	9	6.5	9.5	9	2.2
C4GH-F23020010	C6GH-F23020010	3/4"×3/8"	20×10	44.5	36	24.7	7.5	7.5	9.5	9.2	2.2
C4GH-F23020015	C6GH-F23020015	3/4"×1/2"	20×15	44.5	35	29.5	9	7.5	12.5	8.5	2.2
C4GH-F23025006	C6GH-F23025006	1"×1/8"	25×6	50	45	15.5	10	6.5	8.5	13	2.7
C4GH-F23025008	C6GH-F23025008	1"×1/4"	25×8	49.5	44.7	19.8	9.5	6.5	11.5	14	2.7
C4GH-F23025010	C6GH-F23025010	1"×3/8"	25×10	50	45	25.5	10	7.5	12.5	13	2.7
C4GH-F23025015	C6GH-F23025015	1"×1/2"	25×15	50	45	30	10	8	13	12.5	2.7
C4GH-F23025020	C6GH-F23025020	1"×3/4"	25×20	50	44.6	35.5	9.5	10	14	14	2.7
C4GH-F23032006	C6GH-F23032006	1 1/4"×1/8"	32×6	50.5	53	15.5	11.3	6	10	16.5	3.2
C4GH-F23032008	C6GH-F23032008	1 1/4"×1/4"	32×8	50.2	52.5	20	12	6.5	15.5	15.5	3.2
C4GH-F23032010	C6GH-F23032010	1 1/4"×3/8"	32×10	49.6	52.7	25	11.5	7	14	16.2	3.2
C4GH-F23032015	C6GH-F23032015	1 1/4"×1/2"	32×15	49	52.3	30	10.5	8.2	14.5	15.5	3.2
C4GH-F23032020	C6GH-F23032020	1 1/4"×3/4"	32×20	49	52.4	35.5	10.5	9.5	16	16.5	3.2
C4GH-F23032025	C6GH-F23032025	1 1/4"×1"	32×25	49.3	52.5	44.5	10.5	11	20	16.5	3.2
C4GH-F23040008	C6GH-F23040008	1 1/2"×1/4"	40×8	57.3	59.7	20	11.5	5.4	11.5	17	2.7
C4GH-F23040010	C6GH-F23040010	1 1/2"×3/8"	40×10	57	59.7	24.8	12	7.7	14	17.5	2.5
C4GH-F23040015	C6GH-F23040015	1 1/2"×1/2"	40×15	57	60	30	12.5	9	14.5	18	3
C4GH-F23040020	C6GH-F23040020	1 1/2"×3/4"	40×20	57	60	36	12	9.5	14.5	17.5	3
C4GH-F23040025	C6GH-F23040025	1 1/2"×1"	40×25	57	59.5	44.2	11.5	9.5	16	18	2.7
C4GH-F23040032	C6GH-F23040032	1 1/2"×1 1/4"	40×32	57	60	53	11.5	10.5	15.7	17	2.8
C4GH-F23050006	C6GH-F23050006	2"×1/8"	50×6	67	73.4	15.5	12.5	6	10	18	3.3
C4GH-F23050008	C6GH-F23050008	2"×1/4"	50×8	67	72.9	20	12.5	5.5	11.7	18.5	3.3
C4GH-F23050010	C6GH-F23050010	2"×3/8"	50×10	66	73.5	25	12.5	7.5	13	18.5	3.3
C4GH-F23050015	C6GH-F23050015	2"×1/2"	50×15	66	73.5	30	12.5	8.3	14.7	19.5	3.3
C4GH-F23050020	C6GH-F23050020	2"×3/4"	50×20	65.7	72.5	35.4	12.5	9.3	15	19.5	3.3
C4GH-F23050025	C6GH-F23050025	2"×1"	50×25	66	73.2	44	12.5	10.5	17.5	18	3.3
C4GH-F23050032	C6GH-F23050032	2"×1 1/4"	50×32	66	73	53	12.5	10	15.8	18	3.3
C4GH-F23050040	C6GH-F23050040	2"×1 1/2"	50×40	65.5	73	60	12.5	11.2	15.9	18.5	3.3
C4GH-F23065020	C6GH-F23065020	2 1/2"×3/4"	65×20	75.5	89	36.5	13.7	8.2	17.9	22.9	3.7
C4GH-F23065025	C6GH-F23065025	2 1/2"×1"	65×25	75	89	44.7	13.4	10	17.7	22.8	3.7
C4GH-F23065032	C6GH-F23065032	2 1/2"×1 1/4"	65×32	75	89	52.6	12.3	9	20	25.5	3.2
C4GH-F23065040	C6GH-F23065040	2 1/2"×1 1/2"	65×40	75	89.5	60	14	12	23	26	4
C4GH-F23065050	C6GH-F23065050	2 1/2"×2"	65×50	73.7	89.5	73	14	12.2	24.6	22.7	3.8
C4GH-F23080020	C6GH-F23080020	3"×3/4"	80×20	83	109	35.5	13.9	10	20.5	27.5	4.5
C4GH-F23080025	C6GH-F23080025	3"×1"	80×25	83.7	108.5	45	14.4	10	20.3	27.5	4.4
C4GH-F23080032	C6GH-F23080032	3"×1 1/4"	80×32	82.6	108.5	53	14.1	10.6	23.5	28	5.4
C4GH-F23080040	C6GH-F23080040	3"×1 1/2"	80×40	82.5	108.5	59.6	12.8	9.8	23.8	28	5.5
C4GH-F23080050	C6GH-F23080050	3"×2"	80×50	79	108.5	74.1	13.9	11.4	22.9	31	4.7
C4GH-F23080065	C6GH-F23080065	3"×2 1/2"	80×65	93.3	109.3	89.7	14.6	13.8	26.8	26.3	4.7
C4GH-F23100025	C6GH-F23100025	4"×1"	100×25	95.3	137.5	44.6	15.7	10	19.1	28	6
C4GH-F23100032	C6GH-F23100032	4"×1 1/4"	100×32	95.5	136.8	53	15.5	10.5	20.5	28	6
C4GH-F23100040	C6GH-F23100040	4"×1 1/2"	100×40	95.5	137.5	60.3	16.3	12.2	26.6	29.2	6
C4GH-F23100050	C6GH-F23100050	4"×2"	100×50	111.5	137.5	73.5	16.5	16.5	24	28	6
C4GH-F23100065	C6GH-F23100065	4"×2 1/2"	100×65	95	137.5	89.7	15.2	14.1	28.7	29	6
C4GH-F23100080	C6GH-F23100080	4"×3"	100×80	96.8	136.4	108.7	15.2	16.7	34.5	31	6.4

### ■ Hose Nipple Male × Hose Barb



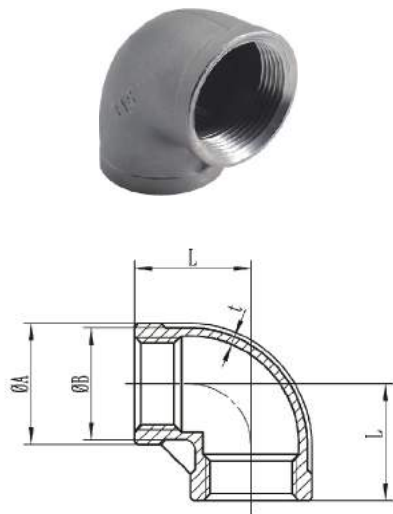
Item No.(304)	Item No.(316)	Inch	DN	L	A	B	S
C4GS-F07006043	C6GS-F07006043	1/8"	6	31.5	4.3	17.5	12
C4GS-F07006064	C6GS-F07006064	1/8"	6	31.5	6.4	17.5	12
C4GS-F07006080	C6GS-F07006080	1/8"	6	41	8	24	12.8
C4GS-F07008065	C6GS-F07008065	1/4"	8	39.5	6.5	24	15
C4GS-F07008090	C6GS-F07008090	1/4"	8	42.5	9	28	15
C4GS-F07008105	C6GS-F07008105	1/4"	8	38.5	10.5	21.5	15.3
C4GS-F07008150	C6GS-F07008150	1/4"	8	53.5	15	38	18
C4GS-F07010065	C6GS-F07010065	3/8"	10	44	6.5	28	18
C4GS-F07010080	C6GS-F07010080	3/8"	10	44	8	28	18
C4GS-F07010100	C6GS-F07010100	3/8"	10	49	10	33	18
C4GS-F07010110	C6GS-F07010110	3/8"	10	49	11	33	18
C4GS-F07010115	C6GS-F07010115	3/8"	10	49	11.5	33	18
C4GS-F07010120	C6GS-F07010120	3/8"	10	49	12	33	18
C4GS-F07010150	C6GS-F07010150	3/8"	10	54	15	38	18
C4GS-F07010160	C6GS-F07010160	3/8"	10	53.5	16	36	19
C4GS-F07015065	C6GS-F07015065	1/2"	15	49.5	6.5	30	22
C4GS-F07015080	C6GS-F07015080	1/2"	15	49.5	8	30	22
C4GS-F07015105	C6GS-F07015105	1/2"	15	49	10.5	27	23
C4GS-F07015125	C6GS-F07015125	1/2"	15	53.5	12.5	31.5	24
C4GS-F07015130	C6GS-F07015130	1/2"	15	53.5	13	31.5	24
C4GS-F07015140	C6GS-F07015140	1/2"	15	57.5	14	38	22
C4GS-F07015150	C6GS-F07015150	1/2"	15	57.5	15	38	22
C4GS-F07015200	C6GS-F07015200	1/2"	15	65	20	45	22
C4GS-F07015260	C6GS-F07015260	1/2"	15	66.5	26	41	30
C4GS-F07020140	C6GS-F07020140	3/4"	20	56	14	31	29
C4GS-F07020200	C6GS-F07020200	3/4"	20	66	20	45	28
C4GS-F07020255	C6GS-F07020255	3/4"	20	66	25.5	40.5	28.5
C4GS-F07025140	C6GS-F07025140	1"	25	72	14	42	35
C4GS-F07025200	C6GS-F07025200	1"	25	68.5	20	45	35
C4GS-F07025270	C6GS-F07025270	1"	25	76	27	52	35
C4GS-F07025320	C6GS-F07025320	1"	25	76.5	32	52	35
C4GS-F07025330	C6GS-F07025330	1"	25	76.5	33	52	35
C4GS-F07025395	C6GS-F07025395	1"	25	80	39.5	50	44
C4GS-F07025520	C6GS-F07025520	1"	25	73	52	43.5	55
C4GS-F07032330	C6GS-F07032330	1 1/4"	32	79	33	52	44
C4GS-F07032395	C6GS-F07032395	1 1/4"	32	83	39.5	56	44
C4GS-F07032400	C6GS-F07032400	1 1/4"	32	83	40	56	44
C4GS-F07032520	C6GS-F07032520	1 1/4"	32	87	52	54.5	61.5
C4GS-F07040255	C6GS-F07040255	1 1/2"	40	78	25.5	44.5	51
C4GS-F07040330	C6GS-F07040330	1 1/2"	40	79	33	46.5	49
C4GS-F07040395	C6GS-F07040395	1 1/2"	40	83	39.5	56	50
C4GS-F07040520	C6GS-F07040520	1 1/2"	40	87.5	52	60	55
C4GS-F07050320	C6GS-F07050320	2"	50	98	32	61	62
C4GS-F07050395	C6GS-F07050395	2"	50	98	39.5	61	62
C4GS-F07050500	C6GS-F07050500	2"	50	92	50	60	61.5
C4GS-F07050510	C6GS-F07050510	2"	50	92	51	60	61.5
C4GS-F07050520	C6GS-F07050520	2"	50	92	52	60	61.5
C4GS-F07050670	C6GS-F07050670	2"	50	97	67	65	70
C4GS-F07065670	C6GS-F07065670	2 1/2"	65	99	67	65	78
C4GS-F07065800	C6GS-F07065800	2 1/2"	65	104.5	80	70	85
C4GS-F07080800	C6GS-F07080800	3"	80	107.5	80	70	90
C4GS-F071001030	C6GS-F071001030	4"	100	146	103	91.5	117

### ■ Hose Nipple Female × Hose Barb



Item No.(304)	Item No.(316)	Inch	DN	L	D	SW
C4GS-F32008090	C6GS-F32008090	1/4"	8	41	9	15
C4GS-F32010110	C6GS-F32010110	3/8"	10	41	11	20
C4GS-F32015140	C6GS-F32015140	1/2"	15	50	14	24
C4GS-F32020200	C6GS-F32020200	3/4"	20	59	20	30
C4GS-F32020140	C6GS-F32020140	3/4"	20	59	14	30
C4GS-F32025270	C6GS-F32025270	1"	25	63	27	37
C4GS-F32032345	C6GS-F32032345	1 1/4"	32	78	34.5	46
C4GS-F32040385	C6GS-F32040385	1 1/2"	40	85	38.5	55
C4GS-F32050535	C6GS-F32050535	2"	50	93	53.5	64

### ■ 90° Elbow(ISO4144)



Item No.(304)	Item No.(316)	Inch	DN	L	A	B	t
C4GS-F08006	C6GS-F08006	1/8"	6	17	14.5	13	2
C4GS-F08008	C6GS-F08008	1/4"	8	19	18	16.5	2
C4GS-F08010	C6GS-F08010	3/8"	10	23	21.5	20	2
C4GS-F08015	C6GS-F08015	1/2"	15	27	26	24.5	1.8
C4GS-F08020	C6GS-F08020	3/4"	20	32	31.5	30	1.8
C4GS-F08025	C6GS-F08025	1"	25	38	39	37.5	2
C4GS-F08032	C6GS-F08032	1 1/4"	32	45	48	46.5	2.4
C4GS-F08040	C6GS-F08040	1 1/2"	40	48	55	53	2.5
C4GS-F08050	C6GS-F08050	2"	50	57	67.5	65.5	2.8
C4GS-F08065	C6GS-F08065	2 1/2"	65	69	84	82	3.3
C4GS-F08080	C6GS-F08080	3"	80	78	98.5	95.5	3.8
C4GS-F08100	C6GS-F08100	4"	100	96	124.5	121.5	4.3

### ■ 90° Elbow(Heavy)



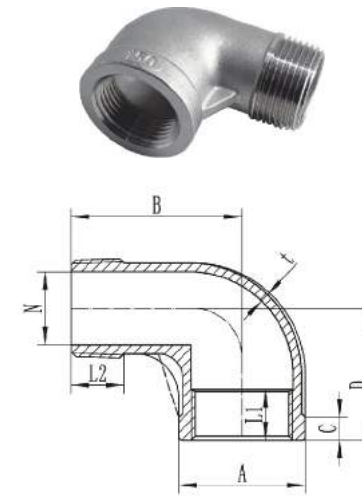
Item No.(304)	Item No.(316)	Inch	DN	L	A	L1	t	C
C4GH-F08006	C6GH-F08006	1/8"	6	17	16	8.2	2.5	5.2
C4GH-F08008	C6GH-F08008	1/4"	8	19.1	19	11	2.5	5.8
C4GH-F08010	C6GH-F08010	3/8"	10	22.8	22.6	10.4	3.7	6.5
C4GH-F08015	C6GH-F08015	1/2"	15	28.5	28.2	10	2.2	6.5
C4GH-F08020	C6GH-F08020	3/4"	20	30.5	35	11.5	2.3	7.5
C4GH-F08025	C6GH-F08025	1"	25	36.5	42.8	15.3	2	10.9
C4GH-F08032	C6GH-F08032	1 1/4"	32	43.3	51.7	16.2	2	8.7
C4GH-F08040	C6GH-F08040	1 1/2"	40	48	59	18.2	2.3	9.4
C4GH-F08050	C6GH-F08050	2"	50	56.4	71.7	18.6	2.6	11
C4GH-F08065	C6GH-F08065	2 1/2"	65	67	90.2	22	3.5	13
C4GH-F08080	C6GH-F08080	3"	80	79.5	106.5	22	3.7	14.5
C4GH-F08100	C6GH-F08100	4"	100	94.8	133.8	27	3.5	15

### ■ 90° Street Elbow(ISO4144)



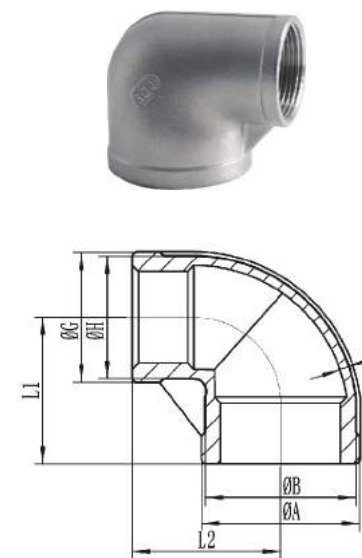
Item No.(304)	Item No.(316)	Inch	DN	L	A	B	t	H	I
C4GS-F09006	C6GS-F09006	1/8"	6	26	14.5	13	1.8	17	5.5
C4GS-F09008	C6GS-F09008	1/4"	8	27	17.5	16.5	1.8	19	8
C4GS-F09010	C6GS-F09010	3/8"	10	29	21	20	1.8	23	11.5
C4GS-F09015	C6GS-F09015	1/2"	15	35	26	24.5	1.8	27	15
C4GS-F09020	C6GS-F09020	3/4"	20	40	31.5	30	1.8	32	20.5
C4GS-F09025	C6GS-F09025	1"	25	46	39	37.5	2	38	26
C4GS-F09032	C6GS-F09032	1 1/4"	32	54	48	46.5	2.4	45	34.5
C4GS-F09040	C6GS-F09040	1 1/2"	40	57	55	53	2.5	48	40
C4GS-F09050	C6GS-F09050	2"	50	70	67	65.5	2.8	57	51
C4GS-F09065	C6GS-F09065	2 1/2"	65	83	84	82	3.3	69	65.5
C4GS-F09080	C6GS-F09080	3"	80	94	97.5	95.5	3.7	78	77.5
C4GS-F09100	C6GS-F09100	4"	100	115	123	121.5	4.2	97	101.5

### ■ 90° Street Elbow(Heavy)



Item No.(304)	Item No.(316)	Inch	DN	A	B	C	D	N	t	L1	L2
C4GH-F09006	C6GH-F09006	1/8"	6	14.5	25.9	4	18	5	2	8	8
C4GH-F09008	C6GH-F09008	1/4"	8	18	29.5	5.5	21	7.5	2	9.5	11.5
C4GH-F09010	C6GH-F09010	3/8"	10	22.3	39.5	6	23.5	9.7	2	12	12.5
C4GH-F09015	C6GH-F09015	1/2"	15	28.5	42.7	7.2	28.7	13.8	2.3	12.5	13.3
C4GH-F09020	C6GH-F09020	3/4"	20	35.5	46.5	7.3	33	19	3.8	13.1	15
C4GH-F09025	C6GH-F09025	1"	25	44	53	9.6	38	26	2.7	15	18.3
C4GH-F09032	C6GH-F09032	1 1/4"	32	53	63.5	9.5	45.3	34	2.3	15.5	20
C4GH-F09040	C6GH-F09040	1 1/2"	40	60	69	9.2	47	40.5	2.9	18.5	20.3
C4GH-F09050	C6GH-F09050	2"	50	72.5	85	14	60	51	3	19	23.5
C4GH-F09065	C6GH-F09065	2 1/2"	65	89.3	105	13	66.5	59.5	3.2	24.7	28.4
C4GH-F09080	C6GH-F09080	3"	80	106	112.5	14.4	77.6	75.3	3.6	25.3	34
C4GH-F09100	C6GH-F09100	4"	100	132	127.2	16.6	98	97.5	3.4	28.5	39.2

### ■ 90° Reducing Elbow(ISO4144)



Item No.(304)	Item No.(316)	Inch	DN	L1	L2	G	H	A	B	T
C4GS-F24008006	C6GS-F24008006	1/4"×1/8"	8×6	18	18	14	13	18	16.5	1.6
C4GS-F24010008	C6GS-F24010008	3/8"×1/4"	10×8	20	22	18	16.5	21.5	20	1.6
C4GS-F24015008	C6GS-F24015008	1/2"×1/4"	15×8	24	24	18	16.5	26	24.5	1.8
C4GS-F24015010	C6GS-F24015010	1/2"×3/8"	15×10	26	25	21.5	20	26	24.5	1.8
C4GS-F24020010	C6GS-F24020010	3/4"×3/8"	20×10	28	28	21.5	20	31.5	30	1.8
C4GS-F24020015	C6GS-F24020015	3/4"×1/2"	20×15	29	30	26	24.5	31.5	30	1.8
C4GS-F24025015	C6GS-F24025015	1"×1/2"	25×15	32	33	26	24.5	39	37.5	2
C4GS-F24025020	C6GS-F24025020	1"×3/4"	25×20	34	35	31.5	30	39	37.5	2
C4GS-F24032020	C6GS-F24032020	1 1/4"×3/4"	32×20	38	40	31.5	30	48	46.5	2.4
C4GS-F24032025	C6GS-F24032025	1 1/4"×1"	32×25	40	42	39	37.5	48	46.5	2.4
C4GS-F24040025	C6GS-F24040025	1 1/2"×1"	40×25	41	45	39	37.5	55	53	2.5
C4GS-F24040032	C6GS-F24040032	1 1/2"×1 1/4"	40×32	45	48	48	46.5	55	53	2.5
C4GS-F24050032	C6GS-F24050032	2"×1 1/4"	50×32	48	54	48	46.5	67.5	65.5	2.8
C4GS-F24050040	C6GS-F24050040	2"×1 1/2"	50×40	52	55	55	53	67.5	65.5	2.8
C4GS-F24065040	C6GS-F24065040	2 1/2"×1 1/2"	65×40	55	62	55	53	84	82	3.3
C4GS-F24065050	C6GS-F24065050	2 1/2"×2"	65×50	60	65	67.5	65.5	84	82	3.3
C4GS-F24080050	C6GS-F24080050	3"×2"	80×50	62	72	67.5	65.5	98.5	95.5	3.8
C4GS-F24080065	C6GS-F24080065	3"×2 1/2"	80×65	72	75	84	82	98.5	95.5	3.8
C4GS-F24100065	C6GS-F24100065	4"×2 1/2"	100×65	78	90	84	82	124.5	121.5	4.3
C4GS-F24100080	C6GS-F24100080	4"×3"	100×80	83	91	98.5	95.5	124.5	121.5	4.3

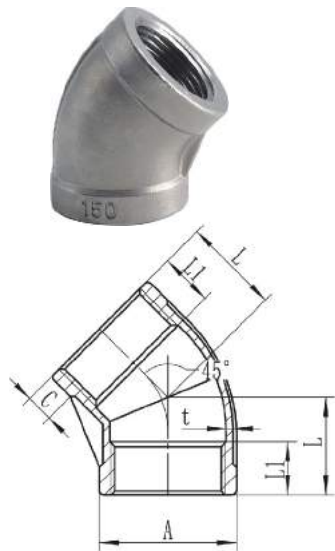


### 45° Elbow(ISO4144)



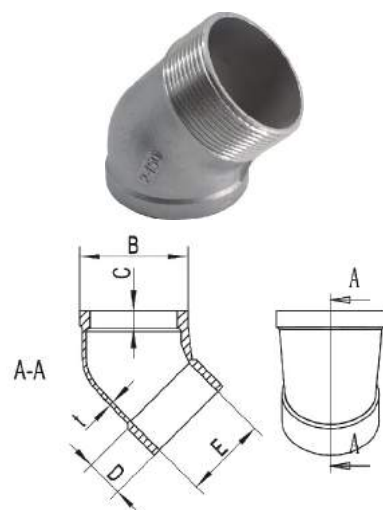
Item No.(304)	Item No.(316)	Inch	DN	L	A	B	t
C4GS-F10006	C6GS-F10006	1/8"	6	16	14.5	13	2.3
C4GS-F10008	C6GS-F10008	1/4"	8	17	18	16.5	2.55
C4GS-F10010	C6GS-F10010	3/8"	10	19	21.5	20	2.55
C4GS-F10015	C6GS-F10015	1/2"	15	21	26	24.5	1.8
C4GS-F10020	C6GS-F10020	3/4"	20	25	31.5	30	1.8
C4GS-F10025	C6GS-F10025	1"	25	29	39	37.5	2
C4GS-F10032	C6GS-F10032	1 1/4"	32	33	48	46.5	2.4
C4GS-F10040	C6GS-F10040	1 1/2"	40	37	55	53	2.5
C4GS-F10050	C6GS-F10050	2"	50	42	67.5	65.5	2.8
C4GS-F10065	C6GS-F10065	2 1/2"	65	49	84	82	3.3
C4GS-F10080	C6GS-F10080	3"	80	54	98.5	95.5	3.8
C4GS-F10100	C6GS-F10100	4"	100	64	124.5	121.5	4.3

### 45° Elbow(Heavy)



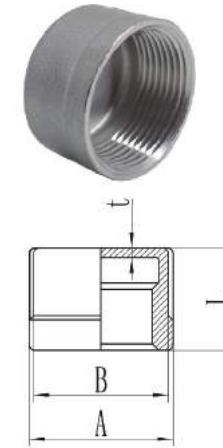
Item No.(304)	Item No.(316)	Inch	DN	L	A	L1	t	C
C4GH-F10006	C6GH-F10006	1/8"	6	18.5	16	9.8	2.5	6
C4GH-F10008	C6GH-F10008	1/4"	8	19	17.9	9.2	2.3	6
C4GH-F10010	C6GH-F10010	3/8"	10	19	22.5	9.2	2.3	5.3
C4GH-F10015	C6GH-F10015	1/2"	15	22	30	10.5	2.5	7.5
C4GH-F10020	C6GH-F10020	3/4"	20	23	35.2	13.2	3.5	8.8
C4GH-F10025	C6GH-F10025	1"	25	28	44.5	13.2	2.6	9.7
C4GH-F10032	C6GH-F10032	1 1/4"	32	32	52	17.7	2	10.2
C4GH-F10040	C6GH-F10040	1 1/2"	40	35	59.5	20	2.5	11
C4GH-F10050	C6GH-F10050	2"	50	42	72	19	2.5	12
C4GH-F10065	C6GH-F10065	2 1/2"	65	47	90.3	23.3	4	13.9
C4GH-F10080	C6GH-F10080	3"	80	52	106.5	26.5	4.5	15
C4GH-F10100	C6GH-F10100	4"	100	66	134.4	30.4	6.4	14.9

### 45° Street Elbow(ISO4144)



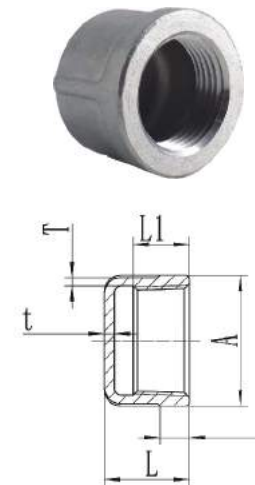
Item No.(304)	Item No.(316)	Inch	DN	B	C	D	t	E
C4GS-F27008	C6GS-F27008	1/4"	8	17	10	11	2.2	6.8
C4GS-F27010	C6GS-F27010	3/8"	10	20.4	12	11	1.5	11.3
C4GS-F27015	C6GS-F27015	1/2"	15	25	9	12.5	1.3	16
C4GS-F27020	C6GS-F27020	3/4"	20	31	11.5	12	1.5	22
C4GS-F27025	C6GS-F27025	1"	25	38.5	13.5	14	1.8	27
C4GS-F27032	C6GS-F27032	1 1/4"	32	48	12.5	18.5	1.8	36
C4GS-F27040	C6GS-F27040	1 1/2"	40	54.8	16	19	2.2	40.5
C4GS-F27050	C6GS-F27050	2"	50	66.5	16	23	2.5	50.5
C4GS-F27065	C6GS-F27065	2 1/2"	65	84.5	22.5	27	3.5	64

### Round Cap(ISO4144)



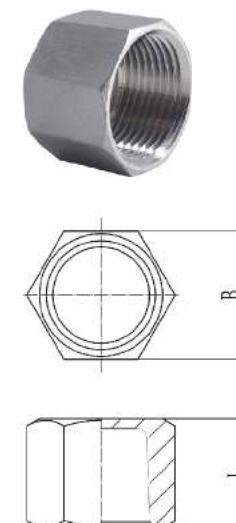
Item No.(304)	Item No.(316)	Inch	DN	L	A	B	t
C4GS-F06006	C6GS-F06006	1/8"	6	10.5	14	13	1.6
C4GS-F06008	C6GS-F06008	1/4"	8	14	18	16.5	1.6
C4GS-F06010	C6GS-F06010	3/8"	10	14.5	21.5	20	1.6
C4GS-F06015	C6GS-F06015	1/2"	15	18.5	26	24.5	1.8
C4GS-F06020	C6GS-F06020	3/4"	20	19.5	31.5	30	1.8
C4GS-F06025	C6GS-F06025	1"	25	22.5	39	37.5	2
C4GS-F06032	C6GS-F06032	1 1/4"	32	25.5	48	46.5	2.4
C4GS-F06040	C6GS-F06040	1 1/2"	40	25.5	55	53	2.5
C4GS-F06050	C6GS-F06050	2"	50	30	67.5	65.5	2.8
C4GS-F06065	C6GS-F06065	2 1/2"	65	35	84	82	3.3
C4GS-F06080	C6GS-F06080	3"	80	38.5	98.5	95.5	3.8
C4GS-F06100	C6GS-F06100	4"	100	45	124.5	121.5	4.3

### Round Cap(Heavy)



Item No.(304)	Item No.(316)	Inch	DN	L	A	L1	t	C	T
C4GH-F06006	C6GH-F06006	1/8"	6	15.5	16	7.3	3.8	6.5	2.8
C4GH-F06008	C6GH-F06008	1/4"	8	22	19.8	10.5	3.5	5.7	3.2
C4GH-F06010	C6GH-F06010	3/8"	10	24.5	25.2	12.5	3	7.3	4.5
C4GH-F06015	C6GH-F06015	1/2"	15	27.5	29.8	10.8	3.2	7.4	2.8
C4GH-F06020	C6GH-F06020	3/4"	20	28	36.2	12.3	3.6	8.3	3.5
C4GH-F06025	C6GH-F06025	1"	25	32.5	45.3	12.8	3.2	8.1	3.1
C4GH-F06032	C6GH-F06032	1 1/4"	32	32.7	53	17.8	3.7	9.7	3.7
C4GH-F06040	C6GH-F06040	1 1/2"	40	36	60	18.1	5	10	3
C4GH-F06050	C6GH-F06050	2"	50	37.6	74	19.7	5.3	11.3	3.5
C4GH-F06065	C6GH-F06065	2 1/2"	65	43	84.5	23.2	6.9	12.7	5.3
C4GH-F06080	C6GH-F06080	3"	80	47.5	110	26.5	6.5	14.5	6
C4GH-F06100	C6GH-F06100	4"	100	51.9	139.1	30	7.1	14.4	8

### Hex. Cap(ISO4144)



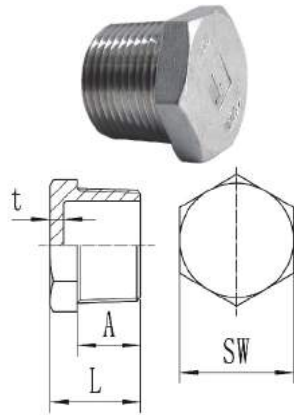
Item No.(304)	Item No.(316)	Inch	DN	B	L	Squares
C4GS-F11006	C6GS-F11006	1/8"	6	13	12.5	Hex
C4GS-F11008	C6GS-F11008	1/4"	8	16.5	16	Hex
C4GS-F11010	C6GS-F11010	3/8"	10	19.8	16.5	Hex
C4GS-F11015	C6GS-F11015	1/2"	15	24.5	21	Hex
C4GS-F11020	C6GS-F11020	3/4"	20	30	22.5	Oct
C4GS-F11025	C6GS-F11025	1"	25	37	26	Oct
C4GS-F11032	C6GS-F11032	1 1/4"	32	46.5	29	Oct
C4GS-F11040	C6GS-F11040	1 1/2"	40	53	29	Oct
C4GS-F11050	C6GS-F11050	2"	50	65	33.5	Oct
C4GS-F11065	C6GS-F11065	2 1/2"	65	82	38.5	Dec
C4GS-F11080	C6GS-F11080	3"	80	95.5	42	Dec
C4GS-F11100	C6GS-F11100	4"	100	120	48	Dec

### Hex. Plug(ISO4144)



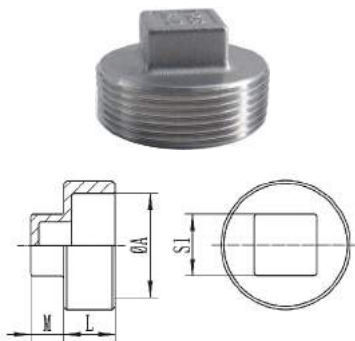
Item No.(304)	Item No.(316)	Inch	DN	L	M	A	Squares
C4GS-F12006	C6GS-F12006	1/8"	6	8	4	5.5	Hex
C4GS-F12008	C6GS-F12008	1/4"	8	10.5	4	8	Hex
C4GS-F12010	C6GS-F12010	3/8"	10	11	5	11.5	Hex
C4GS-F12015	C6GS-F12015	1/2"	15	14.5	5	15	Hex
C4GS-F12020	C6GS-F12020	3/4"	20	15.5	5.5	20.5	Oct
C4GS-F12025	C6GS-F12025	1"	25	18	6	26	Oct
C4GS-F12032	C6GS-F12032	1 1/4"	32	20.5	6.5	34.5	Oct
C4GS-F12040	C6GS-F12040	1 1/2"	40	20.5	6.5	40	Oct
C4GS-F12050	C6GS-F12050	2"	50	25	7	51	Oct
C4GS-F12065	C6GS-F12065	2 1/2"	65	27	7	65.5	Oct
C4GS-F12080	C6GS-F12080	3"	80	30	7.5	77.5	Oct
C4GS-F12100	C6GS-F12100	4"	100	36	8	101.5	Oct

### Hex. Plug(Heavy)



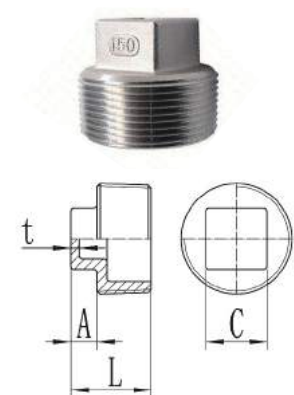
Item No.(304)	Item No.(316)	Inch	DN	L	A	t	SW
C4GH-F12006	C6GH-F12006	1/8"	6	18	11.7	18	13.7
C4GH-F12008	C6GH-F12008	1/4"	8	23	16.8	23	16.3
C4GH-F12010	C6GH-F12010	3/8"	10	23.5	17.5	3.5	20.8
C4GH-F12015	C6GH-F12015	1/2"	15	27	20.1	3.7	26
C4GH-F12020	C6GH-F12020	3/4"	20	27.4	20.2	2.3	32
C4GH-F12025	C6GH-F12025	1"	25	34	25.5	2.5	38
C4GH-F12032	C6GH-F12032	1 1/4"	32	35.2	26	2.7	46
C4GH-F12040	C6GH-F12040	1 1/2"	40	36	25.8	2.2	51.5
C4GH-F12050	C6GH-F12050	2"	50	37	25.5	2.8	65
C4GH-F12065	C6GH-F12065	2 1/2"	65	48.5	36.3	3.5	80
C4GH-F12080	C6GH-F12080	3"	80	50.5	37.5	5.5	95
C4GH-F12100	C6GH-F12100	4"	100	51.5	37	6	121

### Square Plug(ISO4144)



Item No.(304)	Item No.(316)	Inch	DN	L	M	A	S1
C4GS-F13006	C6GS-F13006	1/8"	6	6	5	5.5	7
C4GS-F13008	C6GS-F13008	1/4"	8	8.5	5	8	9
C4GS-F13010	C6GS-F13010	3/8"	10	9	6	11.5	10
C4GS-F13015	C6GS-F13015	1/2"	15	11.5	7	15	11
C4GS-F13020	C6GS-F13020	3/4"	20	13	8	20.5	15
C4GS-F13025	C6GS-F13025	1"	25	14.5	11	26	18
C4GS-F13032	C6GS-F13032	1 1/4"	32	17	11	34.5	20.5
C4GS-F13040	C6GS-F13040	1 1/2"	40	17	12	40	22
C4GS-F13050	C6GS-F13050	2"	50	21.5	13	51	28
C4GS-F13065	C6GS-F13065	2 1/2"	65	23.5	15	65.5	32
C4GS-F13080	C6GS-F13080	3"	80	26.5	15	77.5	36
C4GS-F13100	C6GS-F13100	4"	100	32.5	19	101.5	42

### Square Plug(Heavy)



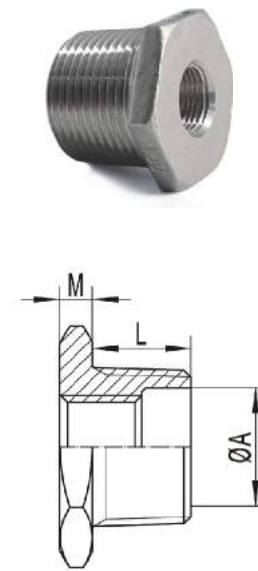
Item No.(304)	Item No.(316)	Inch	DN	L	A	t	C
C4GH-F13006	C6GH-F13006	1/8"	6	18	7	18	7
C4GH-F13008	C6GH-F13008	1/4"	8	18.9	7.2	18.9	9
C4GH-F13010	C6GH-F13010	3/8"	10	20	5.7	20	9.6
C4GH-F13015	C6GH-F13015	1/2"	15	23.5	12.5	3	13
C4GH-F13020	C6GH-F13020	3/4"	20	30	12	3.2	18.3
C4GH-F13025	C6GH-F13025	1"	25	32.5	12.5	2.5	19
C4GH-F13032	C6GH-F13032	1 1/4"	32	39	16.5	4	23
C4GH-F13040	C6GH-F13040	1 1/2"	40	40.3	17	3.3	26.5
C4GH-F13050	C6GH-F13050	2"	50	44.5	18.5	3.9	29.5
C4GH-F13065	C6GH-F13065	2 1/2"	65	48	19.5	4.5	39.6
C4GH-F13080	C6GH-F13080	3"	80	54.9	22.9	4.5	44.2
C4GH-F13100	C6GH-F13100	4"	100	60	22.5	4.5	59.5

### Hex. Socket Plug



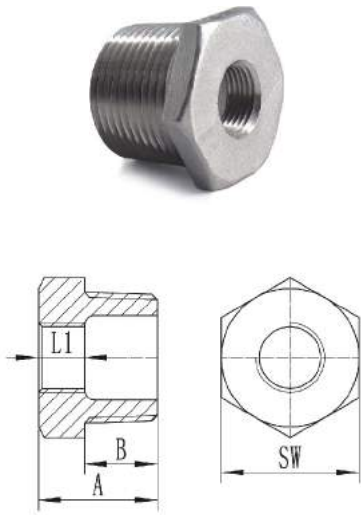
Item No.(304)	Item No.(316)	Inch	DN	A	B	SW
C4GH-F34002	C6GH-F34002	1/16"		8	3.4	4.25
C4GH-F34006	C6GH-F34006	1/8"	6	8	4.4	5.16
C4GH-F34008	C6GH-F34008	1/4"	8	11.2	6.4	6.85
C4GH-F34010	C6GH-F34010	3/8"	10	12.7	6.5	8.3
C4GH-F34015	C6GH-F34015	1/2"	15	14	7.5	10
C4GH-F34020	C6GH-F34020	3/4"	20	15.6	8.9	14.8
C4GH-F34025	C6GH-F34025	1"	25	19	10.5	16.6
C4GH-F34032	C6GH-F34032	1 1/4"	32	20.5	11	19.6
C4GH-F34040	C6GH-F34040	1 1/2"	40	21.9	12.5	26
C4GH-F34050	C6GH-F34050	2"	50	23.5	12.7	25.5

### Reducing Bushing(ISO4144)



Item No.(304)	Item No.(316)	Inch	DN	A	L	M
C4GS-F20008006	C6GS-F20008006	1/4"×1/8"	8×6	8	10.5	4.5
C4GS-F20010006	C6GS-F20010006	3/8"×1/8"	10×6	11.5	11	4.5
C4GS-F20010008	C6GS-F20010008	3/8"×1/4"	10×8	11.5	11	4.5
C4GS-F20015006	C6GS-F20015006	1/2"×1/8"	15×6	15	14.5	4.5
C4GS-F20015008	C6GS-F20015008	1/2"×1/4"	15×8	15	14.5	5
C4GS-F20015010	C6GS-F20015010	1/2"×3/8"	15×10	15	14.5	5
C4GS-F20020006	C6GS-F20020006	3/4"×1/8"	20×6	20.6	15.5	5.7
C4GS-F20020008	C6GS-F20020008	3/4"×1/4"	20×8	20.6	15.5	5.7
C4GS-F20020010	C6GS-F20020010	3/4"×3/8"	20×10	20.6	15.5	5.7
C4GS-F20020015	C6GS-F20020015	3/4"×1/2"	20×15	20.6	15.5	5.7
C4GS-F20025008	C6GS-F20025008	1"×1/4"	25×8	26.1	17.9	6.2
C4GS-F20025010	C6GS-F20025010	1"×3/8"	25×10	26.1	17.9	6.2
C4GS-F20025015	C6GS-F20025015	1"×1/2"	25×15	26.1	17.9	6.2
C4GS-F20025020	C6GS-F20025020	1"×3/4"	25×20	26.1	17.9	6.2
C4GS-F20032010	C6GS-F20032010	1 1/4"×3/8"	32×10	34.7	20.3	6.8
C4GS-F20032015	C6GS-F20032015	1 1/4"×1/2"	32×15	34.7	20.3	6.8
C4GS-F20032020	C6GS-F20032020	1 1/4"×3/4"	32×20	34.7	20.3	6.8
C4GS-F20032025	C6GS-F20032025	1 1/4"×1"	32×25	34.7	20.3	6.8
C4GS-F20040015	C6GS-F20040015	1 1/2"×1/2"	40×15	40.2	20.5	6.8
C4GS-F20040020	C6GS-F20040020	1 1/2"×3/4"	40×20	40.2	20.5	6.8
C4GS-F20040025	C6GS-F20040025	1 1/2"×1"	40×25	40.2	20.5	6.8
C4GS-F20040032	C6GS-F20040032	1 1/2"×1 1/4"	40×32	40.2	20.5	6.8
C4GS-F20050015	C6GS-F20050015	2"×1/2"	50×15	51.1	24.8	7
C4GS-F20050020	C6GS-F20050020	2"×3/4"	50×20	51.1	24.8	7
C4GS-F20050025	C6GS-F20050025	2"×1"	50×25	51.1	24.8	7
C4GS-F20050032	C6GS-F20050032	2"×1 1/4"	50×32	51.1	24.8	7
C4GS-F20050040	C6GS-F20050040	2"×1 1/2"	50×40	51.1	24.8	7
C4GS-F20065020	C6GS-F20065020	2 1/2"×3/4"	65×20	65.8	26.8	7
C4GS-F20065025	C6GS-F20065025	2 1/2"×1"	65×25	65.8	26.8	7
C4GS-F20065032	C6GS-F20065032	2 1/2"×1 1/4"	65×32	65.8	26.8	7
C4GS-F20065040	C6GS-F20065040	2 1/2"×1 1/2"	65×40	65.8	26.8	7
C4GS-F20065050	C6GS-F20065050	2 1/2"×2"	65×50	65.8	26.8	7
C4GS-F20080020	C6GS-F20080020	3"×3/4"	80×20	77.5	31	11
C4GS-F20080025	C6GS-F20080025	3"×1"	80×25	78.7	29.7	8
C4GS-F20080032	C6GS-F20080032	3"×1 1/4"	80×32	77.8	29.5	7.5
C4GS-F20080040	C6GS-F20080040	3"×1 1/2"	80×40	77.8	29.5	7.5
C4GS-F20080050	C6GS-F20080050	3"×2"	80×50	77.8	29.5	7.5
C4GS-F20080065	C6GS-F20080065	3"×2 1/2"	80×65	77.8	29.5	7.5
C4GS-F20100040	C6GS-F20100040	4"×1 1/2"	100×40	101.8	35.5	8
C4GS-F20100050	C6GS-F20100050	4"×2"	100×50	101.8	35.5	8
C4GS-F20100065	C6GS-F20100065	4"×2 1/2"	100×65	101.8	35.5	8
C4GS-F20100080	C6GS-F20100080	4"×3"	100×80	101.8	35.5	8

### ■ Reducing Bushing(Heavy)



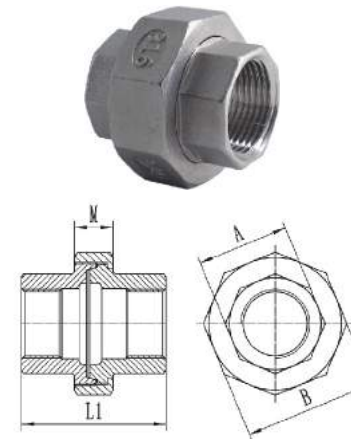
Item No.(304)	Item No.(316)	Inch	DN	L1	A	B	SW	Squares
C4GH-F20008006	C6GH-F20008006	1/4"×1/8"	8×6	8.5	22.3	17	17.3	Hex
C4GH-F20010006	C6GH-F20010006	3/8"×1/8"	10×6	8.5	23	17.5	22	Hex
C4GH-F20010008	C6GH-F20010008	3/8"×1/4"	10×8	11.5	23	17.5	21	Hex
C4GH-F20015006	C6GH-F20015006	1/2"×1/8"	15×6	8.5	25	20	25.5	Hex
C4GH-F20015008	C6GH-F20015008	1/2"×1/4"	15×8	9	25	20	25.5	Hex
C4GH-F20015010	C6GH-F20015010	1/2"×3/8"	15×10	11.5	25	20	25.5	Hex
C4GH-F20020006	C6GH-F20020006	3/4"×1/8"	20×6	9	25.7	20	31	Hex
C4GH-F20020008	C6GH-F20020008	3/4"×1/4"	20×8	9	25.7	20	30.5	Hex
C4GH-F20020010	C6GH-F20020010	3/4"×3/8"	20×10	10	25.7	20	31.5	Hex
C4GH-F20020015	C6GH-F20020015	3/4"×1/2"	20×15	13.5	25.7	20	31	Hex
C4GH-F20025006	C6GH-F20025006	1"×1/8"	25×6	9	32.5	26	38	Hex
C4GH-F20025008	C6GH-F20025008	1"×1/4"	25×8	9	32.5	25.5	38	Hex
C4GH-F20025010	C6GH-F20025010	1"×3/8"	25×10	9.5	32.5	25.5	38	Hex
C4GH-F20025015	C6GH-F20025015	1"×1/2"	25×15	10	32.5	25.5	38	Hex
C4GH-F20025020	C6GH-F20025020	1"×3/4"	25×20	11	32.5	25.5	38	Hex
C4GH-F20032006	C6GH-F20032006	1 1/4"×1/8"	32×6	7.5	33.5	25.5	45.5	Hex
C4GH-F20032008	C6GH-F20032008	1 1/4"×1/4"	32×8	10	33	25.5	45.5	Hex
C4GH-F20032010	C6GH-F20032010	1 1/4"×3/8"	32×10	9.5	33.5	25.5	45.5	Hex
C4GH-F20032015	C6GH-F20032015	1 1/4"×1/2"	32×15	11	33.5	25.5	45.5	Hex
C4GH-F20032020	C6GH-F20032020	1 1/4"×3/4"	32×20	11	33	25.5	45.5	Hex
C4GH-F20032025	C6GH-F20032025	1 1/4"×1"	32×25	15.5	33	25.5	45.5	Hex
C4GH-F20040006	C6GH-F20040006	1 1/2"×1/8"	40×6	8	35	25.5	51.7	Hex
C4GH-F20040008	C6GH-F20040008	1 1/2"×1/4"	40×8	9.5	34	25.5	51.7	Hex
C4GH-F20040010	C6GH-F20040010	1 1/2"×3/8"	40×10	10	35	25.5	51.7	Hex
C4GH-F20040015	C6GH-F20040015	1 1/2"×1/2"	40×15	11.5	35	25.5	51.7	Hex
C4GH-F20040020	C6GH-F20040020	1 1/2"×3/4"	40×20	10.5	35	25.5	51.7	Hex
C4GH-F20040025	C6GH-F20040025	1 1/2"×1"	40×25	14	34.5	25	51.7	Hex
C4GH-F20040032	C6GH-F20040032	1 1/2"×1 1/4"	40×32	16.5	35	25.5	51.7	Hex
C4GH-F20050006	C6GH-F20050006	2"×1/8"	50×6	8	35.5	25.5	62.5	Hex
C4GH-F20050008	C6GH-F20050008	2"×1/4"	50×8	8.5	35.5	25.5	62.5	Hex
C4GH-F20050010	C6GH-F20050010	2"×3/8"	50×10	10	35.5	24.5	62.5	Hex
C4GH-F20050015	C6GH-F20050015	2"×1/2"	50×15	11	35.5	25	62.5	Hex
C4GH-F20050020	C6GH-F20050020	2"×3/4"	50×20	12	35.5	25.5	62.5	Hex
C4GH-F20050025	C6GH-F20050025	2"×1"	50×25	14	35.5	25.5	62.5	Hex
C4GH-F20050032	C6GH-F20050032	2"×1 1/4"	50×32	16	35.5	25	62.5	Hex
C4GH-F20050040	C6GH-F20050040	2"×1 1/2"	50×40	17.5	35.5	25	62.5	Hex
C4GH-F20065015	C6GH-F20065015	2 1/2"×1/2"	65×15	10.5	48.5	37	80.5	Oct
C4GH-F20065020	C6GH-F20065020	2 1/2"×3/4"	65×20	11.5	48.5	37	80.5	Oct
C4GH-F20065025	C6GH-F20065025	2 1/2"×1"	65×25	15	48.5	37	80	Oct
C4GH-F20065032	C6GH-F20065032	2 1/2"×1 1/4"	65×32	18	48.5	37.5	80	Oct
C4GH-F20065040	C6GH-F20065040	2 1/2"×1 1/2"	65×40	15.5	47.5	37.5	80	Oct
C4GH-F20065050	C6GH-F20065050	2 1/2"×2"	65×50	17.5	48.5	37.5	80	Oct
C4GH-F20080015	C6GH-F20080015	3"×1/2"	80×15	11.5	49.5	37	94.7	Oct
C4GH-F20080020	C6GH-F20080020	3"×3/4"	80×20	12	50	37	95.5	Oct
C4GH-F20080025	C6GH-F20080025	3"×1"	80×25	14	48.5	37	94.6	Oct
C4GH-F20080032	C6GH-F20080032	3"×1 1/4"	80×32	16	49.5	37	94.6	Oct
C4GH-F20080040	C6GH-F20080040	3"×1 1/2"	80×40	17	48.5	37	95.5	Oct
C4GH-F20080050	C6GH-F20080050	3"×2"	80×50	18	48.5	37	95.5	Oct
C4GH-F20080065	C6GH-F20080065	3"×2 1/2"	80×65	22	49	36.5	95	Oct
C4GH-F20100025	C6GH-F20100025	4"×1"	100×25	15	50.8	37	120.3	Oct
C4GH-F20100032	C6GH-F20100032	4"×1 1/4"	100×32	15.5	50.8	37	120.3	Oct
C4GH-F20100040	C6GH-F20100040	4"×1 1/2"	100×40	17	50.8	37	120.3	Oct
C4GH-F20100050	C6GH-F20100050	4"×2"	100×50	18	50.8	37	120.3	Oct
C4GH-F20100065	C6GH-F20100065	4"×2 1/2"	100×65	21.5	50.8	37	120.3	Oct
C4GH-F20100080	C6GH-F20100080	4"×3"	100×80	25	50.8	37	121	Oct

### ■ Adaptor



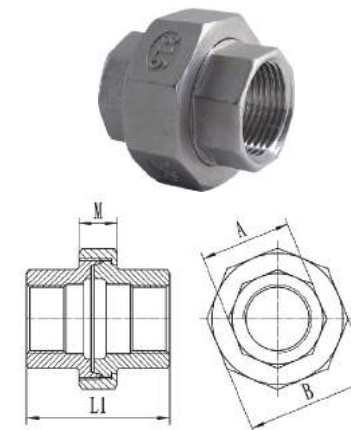
Item No.(304)	Item No.(316)	Inch	DN	L	L1	H
C4GS-F29008006	C6GS-F29008006	1/4"×1/8"	8×6	23.4	12.5	16
C4GS-F29008008	C6GS-F29008008	1/4"×1/4"	8×8	23.5	13	16
C4GS-F29010008	C6GS-F29010008	3/8"×1/4"	10×8	24.5	13.5	20
C4GS-F29010010	C6GS-F29010010	3/8"×3/8"	10×10	27	14.5	20
C4GS-F29015008	C6GS-F29015008	1/2"×1/4"	15×8	30.2	18.5	24
C4GS-F29015010	C6GS-F29015010	1/2"×3/8"	15×10	30.4	18.5	24
C4GS-F29015015	C6GS-F29015015	1/2"×1/2"	15×15	29.7	16	24
C4GS-F29020010	C6GS-F29020010	3/4"×3/8"	20×10	34.3	21	30.5
C4GS-F29020015	C6GS-F29020015	3/4"×1/2"	20×15	38	21	30.5
C4GS-F29020020	C6GS-F29020020	3/4"×3/4"	20×20	38	21	30.5
C4GS-F29025015	C6GS-F29025015	1"×1/2"	25×15	39.1	22	37
C4GS-F29025020	C6GS-F29025020	1"×3/4"	25×20	39.7	23	37
C4GS-F29025025	C6GS-F29025025	1"×1"	25×25	40	23	37
C4GS-F29032015	C6GS-F29032015	1 1/4"×1/2"	32×15	43.5	25.5	47
C4GS-F29032020	C6GS-F29032020	1 1/4"×3/4"	32×20	38	22.5	45.5
C4GS-F29032025	C6GS-F29032025	1 1/4"×1"	32×25	40.8	22.5	45.5
C4GS-F29032032	C6GS-F29032032	1 1/4"×1 1/4"	32×32	42.5	22.5	45.5
C4GS-F29040015	C6GS-F29040015	1 1/2"×1/2"	40×15	43.5	26	53
C4GS-F29040020	C6GS-F29040020	1 1/2"×3/4"	40×20	44.5	26	53
C4GS-F29040025	C6GS-F29040025	1 1/2"×1"	40×25	49	28	54.5
C4GS-F29040032	C6GS-F29040032	1 1/2"×1 1/4"	40×32	48.3	27	52
C4GS-F29050025	C6GS-F29050025	2"×1"	50×25	51.5	30	65
C4GS-F29050032	C6GS-F29050032	2"×1 1/4"	50×32	52	30.5	63
C4GS-F29050040	C6GS-F29050040	2"×1 1/2"	50×40	52.4	30.5	63

### ■ Union Conical Female×Female(ISO4144)



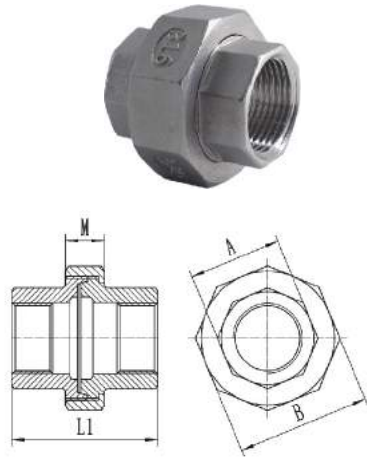
Item No.(304)	Item No.(316)	Inch	DN	A	B	L1	M	Squares
C4GS-F14Z006	C6GS-F14Z006	1/8"	6	13	26	30	13	Hex
C4GS-F14Z008	C6GS-F14Z008	1/4"	8	16.5	29	33.5	13.5	Oct
C4GS-F14Z010	C6GS-F14Z010	3/8"	10	20	34	36.5	15	Oct
C4GS-F14Z015	C6GS-F14Z015	1/2"	15	24.5	37	39.5	16	Oct
C4GS-F14Z020	C6GS-F14Z020	3/4"	20	30	44	42.5	17	Oct
C4GS-F14Z025	C6GS-F14Z025	1"	25	37	52.5	50	20	Oct
C4GS-F14Z032	C6GS-F14Z032	1 1/4"	32	46.5	63	54	22	Oct
C4GS-F14Z040	C6GS-F14Z040	1 1/2"	40	53	70	58	24	Oct
C4GS-F14Z050	C6GS-F14Z050	2"	50	65	84	65	27	Oct
C4GS-F14Z065	C6GS-F14Z065	2 1/2"	65	82	101.5	75	29.5	Dec
C4GS-F14Z080	C6GS-F14Z080	3"	80	95.5	118	83	31	Dec
C4GS-F14Z100	C6GS-F14Z100	4"	100	121.5	148.5	110	34	Dec

### ■ Union Cone Female×Female(ISO4144)



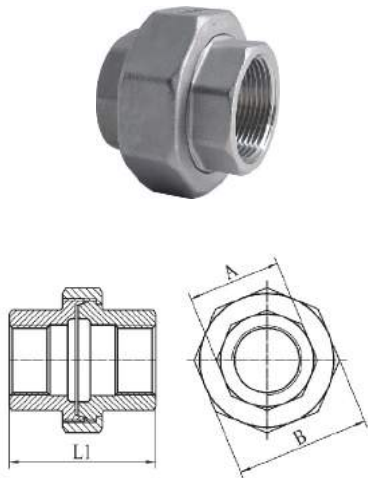
Item No.(304)	Item No.(316)	Inch	DN	A	B	L1	M	Squares
C4GS-F14Q006	C6GS-F14Q006	1/8"	6	13	26	30	13	Hex
C4GS-F14Q008	C6GS-F14Q008	1/4"	8	16.5	29	33.5	13.5	Oct
C4GS-F14Q010	C6GS-F14Q010	3/8"	10	20	34	36.5	15	Oct
C4GS-F14Q015	C6GS-F14Q015	1/2"	15	24.5	37	39.5	16	Oct
C4GS-F14Q020	C6GS-F14Q020	3/4"	20	30	44	42.5	17	Oct
C4GS-F14Q025	C6GS-F14Q025	1"	25	37	52.5	50	20	Oct
C4GS-F14Q032	C6GS-F14Q032	1 1/4"	32	46.5	63	54	22	Oct
C4GS-F14Q040	C6GS-F14Q040	1 1/2"	40	53	70	58	24	Oct
C4GS-F14Q050	C6GS-F14Q050	2"	50	65	84	65	27	Oct
C4GS-F14Q065	C6GS-F14Q065	2 1/2"	65	82	101.5	75	29.5	Dec
C4GS-F14Q080	C6GS-F14Q080	3"	80	95.5	118	83	31	Dec
C4GS-F14Q100	C6GS-F14Q100	4"	100	121.5	148.5	110	34	Dec

### Union PTFE Female × Female(ISO4144)



Item No.(304)	Item No.(316)	Inch	DN	A	B	L1	M	Squares
C4GS-F14P006	C6GS-F14P006	1/8"	6	13	26	30	13	Hex
C4GS-F14P008	C6GS-F14P008	1/4"	8	16.5	29	33.5	13.5	Oct
C4GS-F14P010	C6GS-F14P010	3/8"	10	20	34	36.5	15	Oct
C4GS-F14P015	C6GS-F14P015	1/2"	15	24.5	37	39.5	16	Oct
C4GS-F14P020	C6GS-F14P020	3/4"	20	30	44	42.5	17	Oct
C4GS-F14P025	C6GS-F14P025	1"	25	37	52.5	50	20	Oct
C4GS-F14P032	C6GS-F14P032	1 1/4"	32	46.5	63	54	22	Oct
C4GS-F14P040	C6GS-F14P040	1 1/2"	40	53	70	58	24	Oct
C4GS-F14P050	C6GS-F14P050	2"	50	65	84	65	27	Oct
C4GS-F14P065	C6GS-F14P065	2 1/2"	65	82	101.5	75	29.5	Dec
C4GS-F14P080	C6GS-F14P080	3"	80	95.5	118	83	31	Dec
C4GS-F14P100	C6GS-F14P100	4"	100	121.5	148.5	110	34	Dec

### Union Conical Female × Female(Heavy)



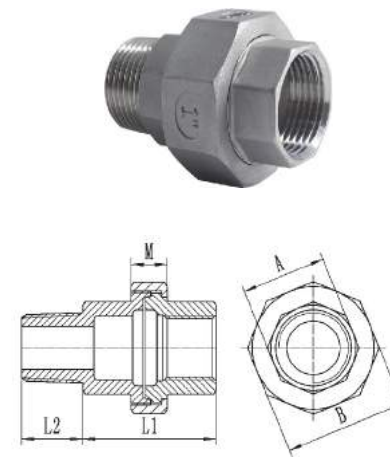
Item No.(304)	Item No.(316)	Inch	DN	A	B	L1
C4GH-F14Z006	C6GH-F14Z006	1/8"	6	13	25	27
C4GH-F14Z008	C6GH-F14Z008	1/4"	8	17.5	30.5	31
C4GH-F14Z010	C6GH-F14Z010	3/8"	10	21	34	34
C4GH-F14Z015	C6GH-F14Z015	1/2"	15	25.5	37.5	38
C4GH-F14Z020	C6GH-F14Z020	3/4"	20	31.5	46.5	38.5
C4GH-F14Z025	C6GH-F14Z025	1"	25	38.5	52.5	47.5
C4GH-F14Z032	C6GH-F14Z032	1 1/4"	32	47.5	64.5	53.5
C4GH-F14Z040	C6GH-F14Z040	1 1/2"	40	54.5	70.5	57
C4GH-F14Z050	C6GH-F14Z050	2"	50	67	89	64.7
C4GH-F14Z065	C6GH-F14Z065	2 1/2"	65	80	108.5	71.5
C4GH-F14Z080	C6GH-F14Z080	3"	80	97.7	118.7	83
C4GH-F14Z100	C6GH-F14Z100	4"	100	121.6	147.5	86

### Union Conical Female × Male(ISO4144)



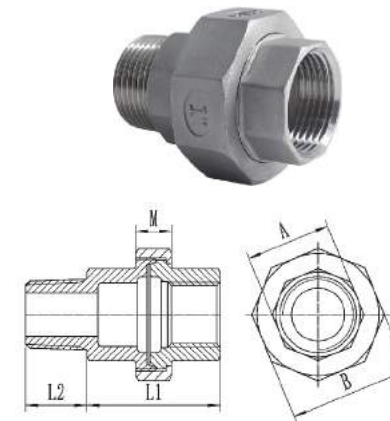
Item No.(304)	Item No.(316)	Inch	DN	A	B	L1	L2	M	Squares
C4GS-F17Z006	C6GS-F17Z006	1/8"	6	13	26	30	8	13	Hex
C4GS-F17Z008	C6GS-F17Z008	1/4"	8	16.5	29	33.5	10.5	13.5	Oct
C4GS-F17Z010	C6GS-F17Z010	3/8"	10	20	34	36.5	11	15	Oct
C4GS-F17Z015	C6GS-F17Z015	1/2"	15	24.5	37	39.5	14.5	16	Oct
C4GS-F17Z020	C6GS-F17Z020	3/4"	20	30	44	42.5	15.5	17	Oct
C4GS-F17Z025	C6GS-F17Z025	1"	25	37	52.5	50	18	20	Oct
C4GS-F17Z032	C6GS-F17Z032	1 1/4"	32	46.5	63	54	20.5	22	Oct
C4GS-F17Z040	C6GS-F17Z040	1 1/2"	40	53	70	58	20.5	24	Oct
C4GS-F17Z050	C6GS-F17Z050	2"	50	65	84	65	25	27	Oct
C4GS-F17Z065	C6GS-F17Z065	2 1/2"	65	82	101.5	75	27	29.5	Dec
C4GS-F17Z080	C6GS-F17Z080	3"	80	95.5	118	83	30	31	Dec
C4GS-F17Z100	C6GS-F17Z100	4"	100	121.5	148.5	110	36	34	Dec

### Union Cone Female × Male(ISO4144)



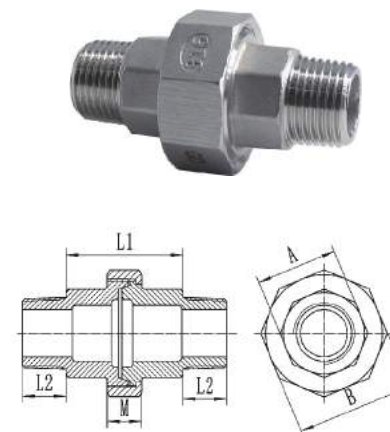
Item No.(304)	Item No.(316)	Inch	DN	A	B	L1	L2	M	Squares
C4GS-F17Q006	C6GS-F17Q006	1/8"	6	13	26	30	8	13	Hex
C4GS-F17Q008	C6GS-F17Q008	1/4"	8	16.5	29	33.5	10.5	13.5	Oct
C4GS-F17Q010	C6GS-F17Q010	3/8"	10	20	34	36.5	11	15	Oct
C4GS-F17Q015	C6GS-F17Q015	1/2"	15	24.5	37	39.5	14.5	16	Oct
C4GS-F17Q020	C6GS-F17Q020	3/4"	20	30	44	42.5	15.5	17	Oct
C4GS-F17Q025	C6GS-F17Q025	1"	25	37	52.5	50	18	20	Oct
C4GS-F17Q032	C6GS-F17Q032	1 1/4"	32	46.5	63	54	20.5	22	Oct
C4GS-F17Q040	C6GS-F17Q040	1 1/2"	40	53	70	58	20.5	24	Oct
C4GS-F17Q050	C6GS-F17Q050	2"	50	65	84	65	25	27	Oct
C4GS-F17Q065	C6GS-F17Q065	2 1/2"	65	82	101.5	75	27	29.5	Dec
C4GS-F17Q080	C6GS-F17Q080	3"	80	95.5	118	83	30	31	Dec
C4GS-F17Q100	C6GS-F17Q100	4"	100	121.5	148.5	110	36	34	Dec

### Union PTFE Female × Male(ISO4144)



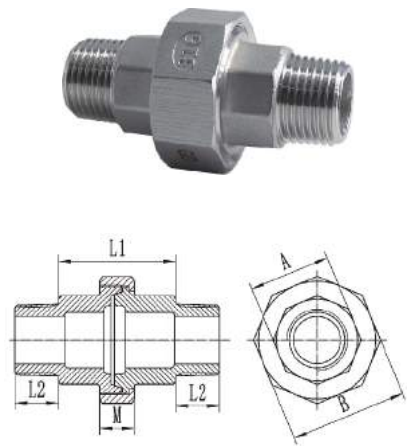
Item No.(304)	Item No.(316)	Inch	DN	A	B	L1	L2	M	Squares
C4GS-F17P006	C6GS-F17P006	1/8"	6	13	26	30	8	13	Hex
C4GS-F17P008	C6GS-F17P008	1/4"	8	16.5	29	33.5	10.5	13.5	Oct
C4GS-F17P010	C6GS-F17P010	3/8"	10	20	34	36.5	11	15	Oct
C4GS-F17P015	C6GS-F17P015	1/2"	15	24.5	37	39.5	14.5	16	Oct
C4GS-F17P020	C6GS-F17P020	3/4"	20	30	44	42.5	15.5	17	Oct
C4GS-F17P025	C6GS-F17P025	1"	25	37	52.5	50	18	20	Oct
C4GS-F17P032	C6GS-F17P032	1 1/4"	32	46.5	63	54	20.5	22	Oct
C4GS-F17P040	C6GS-F17P040	1 1/2"	40	53	70	58	20.5	24	Oct
C4GS-F17P050	C6GS-F17P050	2"	50	65	84	65	25	27	Oct
C4GS-F17P065	C6GS-F17P065	2 1/2"	65	82	101.5	75	27	29.5	Dec
C4GS-F17P080	C6GS-F17P080	3"	80	95.5	118	83	30	31	Dec
C4GS-F17P100	C6GS-F17P100	4"	100	121.5	148.5	110	36	34	Dec

### Union Conical Male × Male(ISO4144)



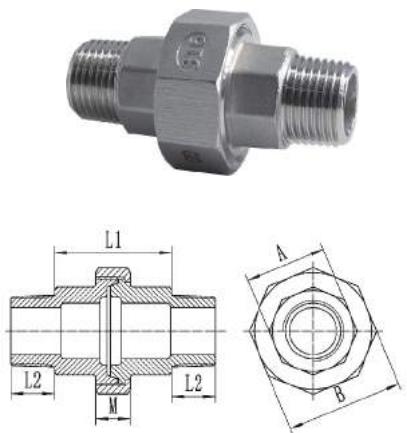
Item No.(304)	Item No.(316)	Inch	DN	A	B	L1	L2	M	Squares
C4GS-F18Z006	C6GS-F18Z006	1/8"	6	13	26	30	8	13	Hex
C4GS-F18Z008	C6GS-F18Z008	1/4"	8	16.5	29	33.5	10.5	13.5	Oct
C4GS-F18Z010	C6GS-F18Z010	3/8"	10	20	34	36.5	11	15	Oct
C4GS-F18Z015	C6GS-F18Z015	1/2"	15	24.5	37	39.5	14.5	16	Oct
C4GS-F18Z020	C6GS-F18Z020	3/4"	20	30	44	42.5	15.5	17	Oct
C4GS-F18Z025	C6GS-F18Z025	1"	25	37	52.5	50	18	20	Oct
C4GS-F18Z032	C6GS-F18Z032	1 1/4"	32	46.5	63	54	20.5	22	Oct
C4GS-F18Z040	C6GS-F18Z040	1 1/2"	40	53	70	58	20.5	24	Oct
C4GS-F18Z050	C6GS-F18Z050	2"	50	65	84	65	25	27	Oct
C4GS-F18Z065	C6GS-F18Z065	2 1/2"	65	82	101.5	75	27	29.5	Dec
C4GS-F18Z080	C6GS-F18Z080	3"	80	95.5	118	83	30	31	Dec
C4GS-F18Z100	C6GS-F18Z100	4"	100	121.5	148.5	110	36	34	Dec

### Union Cone Male×Male(ISO4144)



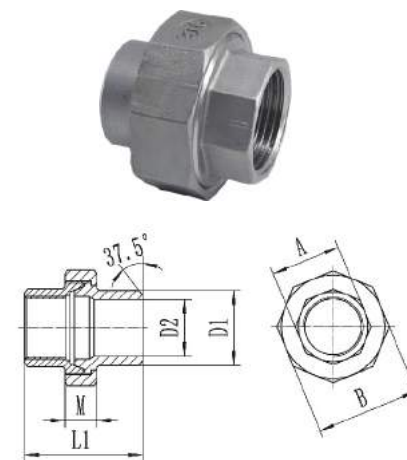
Item No.(304)	Item No.(316)	Inch	DN	A	B	L1	L2	M	Squares
C4GS-F18Q006	C6GS-F18Q006	1/8"	6	13	26	30	8	13	Hex
C4GS-F18Q008	C6GS-F18Q008	1/4"	8	16.5	29	33.5	10.5	13.5	Oct
C4GS-F18Q010	C6GS-F18Q010	3/8"	10	20	34	36.5	11	15	Oct
C4GS-F18Q015	C6GS-F18Q015	1/2"	15	24.5	37	39.5	14.5	16	Oct
C4GS-F18Q020	C6GS-F18Q020	3/4"	20	30	44	42.5	15.5	17	Oct
C4GS-F18Q025	C6GS-F18Q025	1"	25	37	52.5	50	18	20	Oct
C4GS-F18Q032	C6GS-F18Q032	1 1/4"	32	46.5	63	54	20.5	22	Oct
C4GS-F18Q040	C6GS-F18Q040	1 1/2"	40	53	70	58	20.5	24	Oct
C4GS-F18Q050	C6GS-F18Q050	2"	50	65	84	65	25	27	Oct
C4GS-F18Q065	C6GS-F18Q065	2 1/2"	65	82	101.5	75	27	29.5	Dec
C4GS-F18Q080	C6GS-F18Q080	3"	80	95.5	118	83	30	31	Dec
C4GS-F18Q100	C6GS-F18Q100	4"	100	121.5	148.5	110	36	34	Dec

### Union PTFE Male×Male(ISO4144)



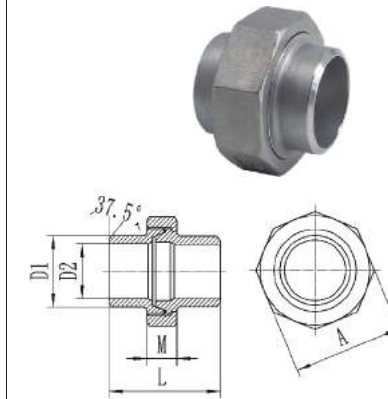
Item No.(304)	Item No.(316)	Inch	DN	A	B	L1	L2	M	Squares
C4GS-F18P006	C6GS-F18P006	1/8"	6	13	26	30	8	13	Hex
C4GS-F18P008	C6GS-F18P008	1/4"	8	16.5	29	33.5	10.5	13.5	Oct
C4GS-F18P010	C6GS-F18P010	3/8"	10	20	34	36.5	11	15	Oct
C4GS-F18P015	C6GS-F18P015	1/2"	15	24.5	37	39.5	14.5	16	Oct
C4GS-F18P020	C6GS-F18P020	3/4"	20	30	44	42.5	15.5	17	Oct
C4GS-F18P025	C6GS-F18P025	1"	25	37	52.5	50	18	20	Oct
C4GS-F18P032	C6GS-F18P032	1 1/4"	32	46.5	63	54	20.5	22	Oct
C4GS-F18P040	C6GS-F18P040	1 1/2"	40	53	70	58	20.5	24	Oct
C4GS-F18P050	C6GS-F18P050	2"	50	65	84	65	25	27	Oct
C4GS-F18P065	C6GS-F18P065	2 1/2"	65	82	101.5	75	27	29.5	Dec
C4GS-F18P080	C6GS-F18P080	3"	80	95.5	118	83	30	31	Dec
C4GS-F18P100	C6GS-F18P100	4"	100	121.5	148.5	110	36	34	Dec

### Union Conical Female×Butt Weld(ISO4144)



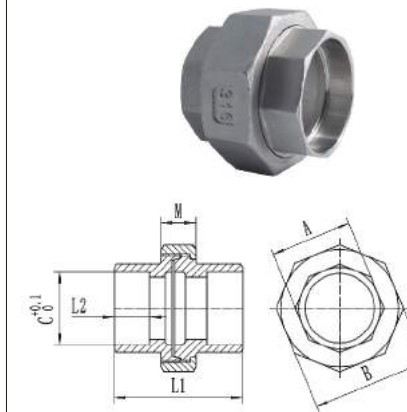
Item No.(304)	Item No.(316)	Inch	DN	A	B	L1	M	D1	L2	Squares
C4GS-F16Z008	C6GS-F16Z008	1/4"	8	16.5	29	33.5	13.5	13.7	9.2	Oct
C4GS-F16Z010	C6GS-F16Z010	3/8"	10	20	34	36.5	15	17.2	12.5	Oct
C4GS-F16Z015	C6GS-F16Z015	1/2"	15	24.5	37	39.5	16	21.3	15.8	Oct
C4GS-F16Z020	C6GS-F16Z020	3/4"	20	30	44	42.5	17	26.7	20.9	Oct
C4GS-F16Z025	C6GS-F16Z025	1"	25	37	52.5	50	20	33.4	26.6	Oct
C4GS-F16Z032	C6GS-F16Z032	1 1/4"	32	46.5	63	54	22	42.2	35	Oct
C4GS-F16Z040	C6GS-F16Z040	1 1/2"	40	53	70	58	24	48.3	40.9	Oct
C4GS-F16Z050	C6GS-F16Z050	2"	50	65	84	65	27	60.3	52.5	Oct
C4GS-F16Z065	C6GS-F16Z065	2 1/2"	65	82	101.5	75	29.5	76.1	65.8	Dec
C4GS-F16Z080	C6GS-F16Z080	3"	80	95.5	118	83	31	88.9	77.9	Dec
C4GS-F16Z100	C6GS-F16Z100	4"	100	121.5	148.5	110	34	114.3	102.3	Dec

### Union Conical Butt Weld(ISO4144)



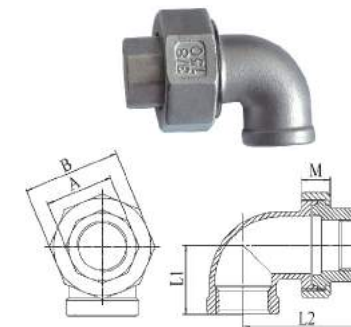
Item No.(304)	Item No.(316)	Inch	DN	L	M	A	D1	D2	Squares
C4GS-F19Z008	C6GS-F19Z008	1/4"	8	33.5	13.5	29	13.7	9.2	Oct
C4GS-F19Z010	C6GS-F19Z010	3/8"	10	36.5	15	34	17.2	12.5	Oct
C4GS-F19Z015	C6GS-F19Z015	1/2"	15	39.5	16	37	21.3	15.8	Oct
C4GS-F19Z020	C6GS-F19Z020	3/4"	20	42.5	17	44	26.7	20.9	Oct
C4GS-F19Z025	C6GS-F19Z025	1"	25	50	20	52.5	33.4	26.6	Oct
C4GS-F19Z032	C6GS-F19Z032	1 1/4"	32	54	22	63	42.2	35	Oct
C4GS-F19Z040	C6GS-F19Z040	1 1/2"	40	58	24	70	48.3	40.9	Oct
C4GS-F19Z050	C6GS-F19Z050	2"	50	65	27	84	60.3	52.5	Oct
C4GS-F19Z065	C6GS-F19Z065	2 1/2"	65	75	29.5	101.5	76.1	65.8	Dec
C4GS-F19Z080	C6GS-F19Z080	3"	80	83	31	118	88.9	77.9	Dec
C4GS-F19Z100	C6GS-F19Z100	4"	100	110	34	148.5	114.3	102.3	Dec

### Union Conical Socket Weld(ISO4144)



Item No.(304)	Item No.(316)	Inch	DN	A	B	C	L1	L2	M	Squares
C4GS-F15Z006	C6GS-F15Z006	1/8"	6	13	26	10.8	30	6.5	13	Hex
C4GS-F15Z008	C6GS-F15Z008	1/4"	8	16.5	29	14	33.5	6.5	13.5	Oct
C4GS-F15Z010	C6GS-F15Z010	3/8"	10	20	34	17.5	36.5	6.5	15	Oct
C4GS-F15Z015	C6GS-F15Z015	1/2"	15	24.5	37	22	39.5	8.1	16	Oct
C4GS-F15Z020	C6GS-F15Z020	3/4"	20	30	44	27.3	42.5	9.4	17	Oct
C4GS-F15Z025	C6GS-F15Z025	1"	25	37	52.5	34	50	10	20	Oct
C4GS-F15Z032	C6GS-F15Z032	1 1/4"	32	46.5	63	43.3	54	10	22	Oct
C4GS-F15Z040	C6GS-F15Z040	1 1/2"	40	53	70	49	58	12.7	24	Oct
C4GS-F15Z050	C6GS-F15Z050	2"	50	65	84	61	65	13	27	Oct
C4GS-F15Z065	C6GS-F15Z065	2 1/2"	65	82	101.5	73.5	75	14.2	29.5	Dec
C4GS-F15Z080	C6GS-F15Z080	3"	80	95.5	118	89.5	83	14.2	31	Dec
C4GS-F15Z100	C6GS-F15Z100	4"	100	121.5	148.5	115	110	17.5	34	Dec

### 90° Elbow Union Conical Female×Female(ISO4144)



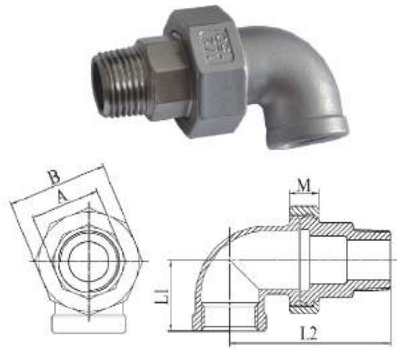
Item No.(304)	Item No.(316)	Inch	DN	A	B	L1	L2	M	Squares
C4GS-F30Z008	C6GS-F30Z008	1/4"	8	16.5	29	19	39.5	13.5	Oct
C4GS-F30Z010	C6GS-F30Z010	3/8"	10	20	34	23	44.2	15	Oct
C4GS-F30Z015	C6GS-F30Z015	1/2"	15	24.5	37	27	49	16	Oct
C4GS-F30Z020	C6GS-F30Z020	3/4"	20	30	44	32	57.5	17	Oct
C4GS-F30Z025	C6GS-F30Z025	1"	25	37	52.5	38	67	20	Oct
C4GS-F30Z032	C6GS-F30Z032	1 1/4"	32	46.5	63	46	74.5	22	Oct
C4GS-F30Z040	C6GS-F30Z040	1 1/2"	40	53	70	48	79.5	24	Oct
C4GS-F30Z050	C6GS-F30Z050	2"	50	65	84	57	94.5	27	Oct

### 90° Elbow Union PTFE Female×Female(ISO4144)



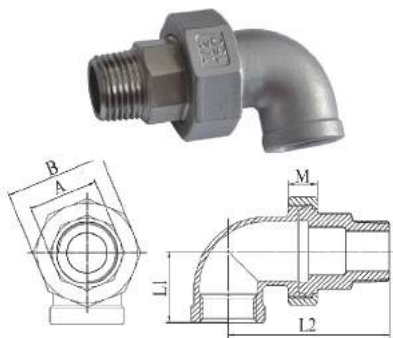
Item No.(304)	Item No.(316)	Inch	DN	A	B	L1	L2	M	Squares
C4GS-F30P008	C6GS-F30P008	1/4"	8	16.5	29	19	39.5	13.5	Oct
C4GS-F30P010	C6GS-F30P010	3/8"	10	20	34	23	44.2	15	Oct
C4GS-F30P015	C6GS-F30P015	1/2"	15	24.5	37	27	49	16	Oct
C4GS-F30P020	C6GS-F30P020	3/4"	20	30	44	32	57.5	17	Oct
C4GS-F30P025	C6GS-F30P025	1"	25	37	52.5	38	67	20	Oct
C4GS-F30P032	C6GS-F30P032	1 1/4"	32	46.5	63	46	74.5	22	Oct
C4GS-F30P040	C6GS-F30P040	1 1/2"	40	53	70	48	79.5	24	Oct
C4GS-F30P050	C6GS-F30P050	2"	50	65	84	57	94.5	27	Oct

### 90° Elbow Union Conical Female× Male(ISO4144)



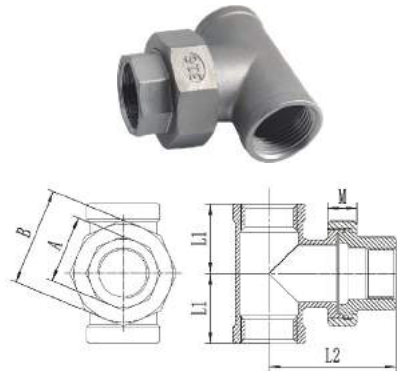
Item No.(304)	Item No.(316)	Inch	DN	A	B	L1	L2	M	Squares
C4GS-F33Z008	C6GS-F33Z008	1/4"	8	16.5	29	19	50	13.5	Oct
C4GS-F33Z010	C6GS-F33Z010	3/8"	10	20	34	23	55.2	15	Oct
C4GS-F33Z015	C6GS-F33Z015	1/2"	15	24.5	37	27	63.5	16	Oct
C4GS-F33Z020	C6GS-F33Z020	3/4"	20	30	44	32	73	17	Oct
C4GS-F33Z025	C6GS-F33Z025	1"	25	37	52.5	38	85	20	Oct
C4GS-F33Z032	C6GS-F33Z032	1 1/4"	32	46.5	63	46	95	22	Oct
C4GS-F33Z040	C6GS-F33Z040	1 1/2"	40	53	70	48	100	24	Oct
C4GS-F33Z050	C6GS-F33Z050	2"	50	65	84	57	119.5	27	Oct

### 90° Elbow Union PTFE Female× Male(ISO4144)



Item No.(304)	Item No.(316)	Inch	DN	A	B	L1	L2	M	Squares
C4GS-F33P008	C6GS-F33P008	1/4"	8	16.5	29	19	50	13.5	Oct
C4GS-F33P010	C6GS-F33P010	3/8"	10	20	34	23	55.2	15	Oct
C4GS-F33P015	C6GS-F33P015	1/2"	15	24.5	37	27	63.5	16	Oct
C4GS-F33P020	C6GS-F33P020	3/4"	20	30	44	32	73	17	Oct
C4GS-F33P025	C6GS-F33P025	1"	25	37	52.5	38	85	20	Oct
C4GS-F33P032	C6GS-F33P032	1 1/4"	32	46.5	63	46	95	22	Oct
C4GS-F33P040	C6GS-F33P040	1 1/2"	40	53	70	48	100	24	Oct
C4GS-F33P050	C6GS-F33P050	2"	50	65	84	57	119.5	27	Oct

### Tee Union Conical Female× Female(ISO4144)



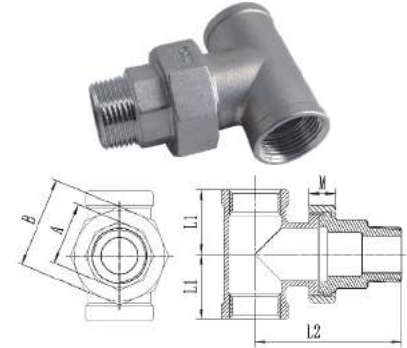
Item No.(304)	Item No.(316)	Inch	DN	A	B	L1	L2	M	Squares
C4GS-F31Z008	C6GS-F31Z008	1/4"	8	16.5	29	19	39.5	13.5	Oct
C4GS-F31Z010	C6GS-F31Z010	3/8"	10	20	34	23	44.2	15	Oct
C4GS-F31Z015	C6GS-F31Z015	1/2"	15	24.5	37	27	49	16	Oct
C4GS-F31Z020	C6GS-F31Z020	3/4"	20	30	44	32	57.5	17	Oct
C4GS-F31Z025	C6GS-F31Z025	1"	25	37	52.5	38	67	20	Oct

### Tee Union PTFE Female× Female(ISO4144)



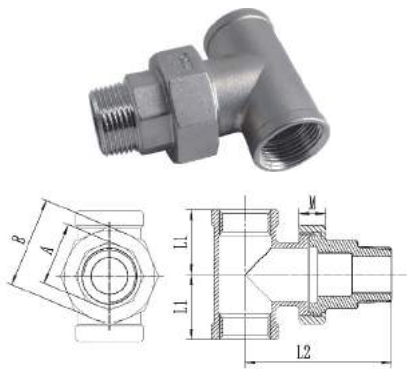
Item No.(304)	Item No.(316)	Inch	DN	A	B	L1	L2	M	Squares
C4GS-F31P008	C6GS-F31P008	1/4"	8	16.5	29	19	39.5	13.5	Oct
C4GS-F31P010	C6GS-F31P010	3/8"	10	20	34	23	44.2	15	Oct
C4GS-F31P015	C6GS-F31P015	1/2"	15	24.5	37	27	49	16	Oct
C4GS-F31P020	C6GS-F31P020	3/4"	20	30	44	32	57.5	17	Oct
C4GS-F31P025	C6GS-F31P025	1"	25	37	52.5	38	67	20	Oct

### Tee Union Conical Female× Male(ISO4144)



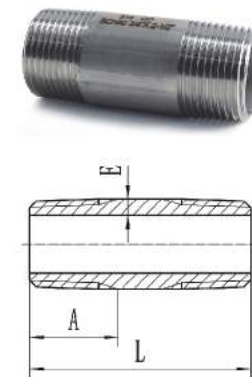
Item No.(304)	Item No.(316)	Inch	DN	A	B	L1	L2	M	Squares
C4GS-F34Z008	C6GS-F34Z008	1/4"	8	16.5	29	19	50	13.5	Oct
C4GS-F34Z010	C6GS-F34Z010	3/8"	10	20	34	23	55.2	15	Oct
C4GS-F34Z015	C6GS-F34Z015	1/2"	15	24.5	37	27	63.5	16	Oct
C4GS-F34Z020	C6GS-F34Z020	3/4"	20	30	44	32	73	17	Oct
C4GS-F34Z025	C6GS-F34Z025	1"	25	37	52.5	38	85	20	Oct

### Tee Union PTFE Female× Male(ISO4144)



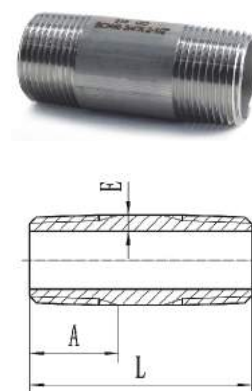
Item No.(304)	Item No.(316)	Inch	DN	A	B	L1	L2	M	Squares
C4GS-F34P008	C6GS-F34P008	1/4"	8	16.5	29	19	50	13.5	Oct
C4GS-F34P010	C6GS-F34P010	3/8"	10	20	34	23	55.2	15	Oct
C4GS-F34P015	C6GS-F34P015	1/2"	15	24.5	37	27	63.5	16	Oct
C4GS-F34P020	C6GS-F34P020	3/4"	20	30	44	32	73	17	Oct
C4GS-F34P025	C6GS-F34P025	1"	25	37	52.5	38	85	20	Oct

### Barrel Nipple (SCH40)



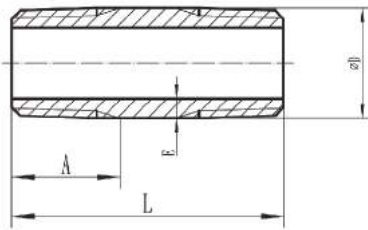
Item No.(304)	Item No.(316)	Inch	DN	L	A	E
T4GM-P01006	T6GM-P01006	1/8"	6	40	11	1.73
T4GM-P01008	T6GM-P01008	1/4"	8	40	11	2
T4GM-P01010	T6GM-P01010	3/8"	10	40	12	2.1
T4GM-P01015	T6GM-P01015	1/2"	15	60	15	2.5
T4GM-P01020	T6GM-P01020	3/4"	20	60	17	2.5
T4GM-P01025	T6GM-P01025	1"	25	60	19	3
T4GM-P01032	T6GM-P01032	1 1/4"	32	80	22	3.2
T4GM-P01040	T6GM-P01040	1 1/2"	40	80	22	3.3
T4GM-P01050	T6GM-P01050	2"	50	100	26	3.5
T4GM-P01065	T6GM-P01065	2 1/2"	65	100	32	4.6
T4GM-P01080	T6GM-P01080	3"	80	120	34	5
T4GM-P01100	T6GM-P01100	4"	100	120	40	5.5

### Barrel Nipple (SCH80)



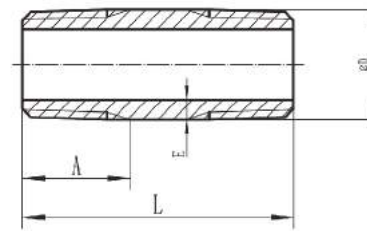
Item No.(304)	Item No.(316)	Inch	DN	L	A	E
T4GH-P01006	T6GH-P01006	1/8"	6	40	11	2.2
T4GH-P01008	T6GH-P01008	1/4"	8	40	11	2.7
T4GH-P01010	T6GH-P01010	3/8"	10	40	12	2.9
T4GH-P01015	T6GH-P01015	1/2"	15	60	15	3.3
T4GH-P01020	T6GH-P01020	3/4"	20	60	17	3.5
T4GH-P01025	T6GH-P01025	1"	25	60	19	4.1
T4GH-P01032	T6GH-P01032	1 1/4"	32	80	22	4.3
T4GH-P01040	T6GH-P01040	1 1/2"	40	80	22	4.5
T4GH-P01050	T6GH-P01050	2"	50	100	26	5
T4GH-P01065	T6GH-P01065	2 1/2"	65	100	32	6.3
T4GH-P01080	T6GH-P01080	3"	80	120	34	6.8
T4GH-P01100	T6GH-P01100	4"	100	120	40	7.6

### Barrel Nipple (SCH40)



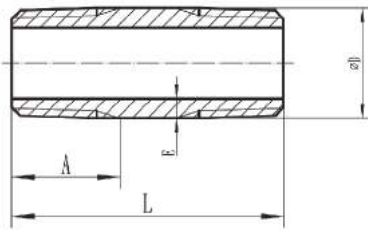
Item No.(304)	Item No.(316)	Inch	DN	L	A	E
T4GM-P0100615	T6GM-P0100615	1/8"	6	38.1	11	1.73
T4GM-P0100620	T6GM-P0100620	1/8"	6	50.8	11	1.73
T4GM-P0100625	T6GM-P0100625	1/8"	6	63.5	11	1.73
T4GM-P0100630	T6GM-P0100630	1/8"	6	76.2	11	1.73
T4GM-P0100635	T6GM-P0100635	1/8"	6	88.9	11	1.73
T4GM-P0100640	T6GM-P0100640	1/8"	6	101.6	11	1.73
T4GM-P0100645	T6GM-P0100645	1/8"	6	114.3	11	1.73
T4GM-P0100650	T6GM-P0100650	1/8"	6	127	11	1.73
T4GM-P0100655	T6GM-P0100655	1/8"	6	139.7	11	1.73
T4GM-P0100660	T6GM-P0100660	1/8"	6	152.4	11	1.73
T4GM-P0100670	T6GM-P0100670	1/8"	6	177.8	11	1.73
T4GM-P0100680	T6GM-P0100680	1/8"	6	203.2	11	1.73
T4GM-P0100690	T6GM-P0100690	1/8"	6	228.6	11	1.73
T4GM-P01006100	T6GM-P01006100	1/8"	6	254	11	1.73
T4GM-P01006110	T6GM-P01006110	1/8"	6	279.4	11	1.73
T4GM-P01006120	T6GM-P01006120	1/8"	6	304.8	11	1.73
T4GM-P01006180	T6GM-P01006180	1/8"	6	457.2	11	1.73
T4GM-P01006240	T6GM-P01006240	1/8"	6	609.6	11	1.73
T4GM-P01006360	T6GM-P01006360	1/8"	6	914.4	11	1.73
T4GM-P01006480	T6GM-P01006480	1/8"	6	1219.2	11	1.73
T4GM-P01006600	T6GM-P01006600	1/8"	6	1524	11	1.73
T4GM-P01006720	T6GM-P01006720	1/8"	6	1828.8	11	1.73
T4GM-P010061200	T6GM-P010061200	1/8"	6	3048	11	1.73
T4GM-P0100815	T6GM-P0100815	1/4"	8	38.1	11	2
T4GM-P0100820	T6GM-P0100820	1/4"	8	50.8	11	2
T4GM-P0100825	T6GM-P0100825	1/4"	8	63.5	11	2
T4GM-P0100830	T6GM-P0100830	1/4"	8	76.2	11	2
T4GM-P0100835	T6GM-P0100835	1/4"	8	88.9	11	2
T4GM-P0100840	T6GM-P0100840	1/4"	8	101.6	11	2
T4GM-P0100845	T6GM-P0100845	1/4"	8	114.3	11	2
T4GM-P0100850	T6GM-P0100850	1/4"	8	127	11	2
T4GM-P0100855	T6GM-P0100855	1/4"	8	139.7	11	2
T4GM-P0100860	T6GM-P0100860	1/4"	8	152.4	11	2
T4GM-P0100870	T6GM-P0100870	1/4"	8	177.8	11	2
T4GM-P0100880	T6GM-P0100880	1/4"	8	203.2	11	2
T4GM-P0100890	T6GM-P0100890	1/4"	8	228.6	11	2
T4GM-P01008100	T6GM-P01008100	1/4"	8	254	11	2
T4GM-P01008110	T6GM-P01008110	1/4"	8	279.4	11	2
T4GM-P01008120	T6GM-P01008120	1/4"	8	304.8	11	2
T4GM-P01008180	T6GM-P01008180	1/4"	8	457.2	11	2
T4GM-P01008240	T6GM-P01008240	1/4"	8	609.6	11	2
T4GM-P01008360	T6GM-P01008360	1/4"	8	914.4	11	2
T4GM-P01008480	T6GM-P01008480	1/4"	8	1219.2	11	2
T4GM-P01008600	T6GM-P01008600	1/4"	8	1524	11	2
T4GM-P01008720	T6GM-P01008720	1/4"	8	1828.8	11	2
T4GM-P010081200	T6GM-P010081200	1/4"	8	3048	11	2
T4GM-P0101015	T6GM-P0101015	3/8"	10	38.1	12	2.1
T4GM-P0101020	T6GM-P0101020	3/8"	10	50.8	12	2.1
T4GM-P0101025	T6GM-P0101025	3/8"	10	63.5	12	2.1
T4GM-P0101030	T6GM-P0101030	3/8"	10	76.2	12	2.1
T4GM-P0101035	T6GM-P0101035	3/8"	10	88.9	12	2.1
T4GM-P0101040	T6GM-P0101040	3/8"	10	101.6	12	2.1
T4GM-P0101045	T6GM-P0101045	3/8"	10	114.3	12	2.1

### Barrel Nipple (SCH40)



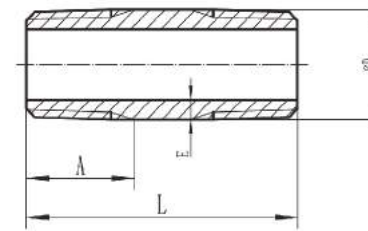
Item No.(304)	Item No.(316)	Inch	DN	L	A	E
T4GM-P0101050	T6GM-P0101050	3/8"	10	127	12	2.1
T4GM-P0101055	T6GM-P0101055	3/8"	10	139.7	12	2.1
T4GM-P0101060	T6GM-P0101060	3/8"	10	152.4	12	2.1
T4GM-P0101070	T6GM-P0101070	3/8"	10	177.8	12	2.1
T4GM-P0101080	T6GM-P0101080	3/8"	10	203.2	12	2.1
T4GM-P0101090	T6GM-P0101090	3/8"	10	228.6	12	2.1
T4GM-P01010100	T6GM-P01010100	3/8"	10	254	12	2.1
T4GM-P01010110	T6GM-P01010110	3/8"	10	279.4	12	2.1
T4GM-P01010120	T6GM-P01010120	3/8"	10	304.8	12	2.1
T4GM-P01010180	T6GM-P01010180	3/8"	10	457.2	12	2.1
T4GM-P01010240	T6GM-P01010240	3/8"	10	609.6	12	2.1
T4GM-P01010360	T6GM-P01010360	3/8"	10	914.4	12	2.1
T4GM-P01010480	T6GM-P01010480	3/8"	10	1219.2	12	2.1
T4GM-P01010600	T6GM-P01010600	3/8"	10	1524	12	2.1
T4GM-P01010720	T6GM-P01010720	3/8"	10	1828.8	12	2.1
T4GM-P010101200	T6GM-P010101200	3/8"	10	3048	12	2.1
T4GM-P0101515	T6GM-P0101515	1/2"	15	38.1	15	2.5
T4GM-P0101520	T6GM-P0101520	1/2"	15	50.8	15	2.5
T4GM-P0101525	T6GM-P0101525	1/2"	15	63.5	15	2.5
T4GM-P0101530	T6GM-P0101530	1/2"	15	76.2	15	2.5
T4GM-P0101535	T6GM-P0101535	1/2"	15	88.9	15	2.5
T4GM-P0101540	T6GM-P0101540	1/2"	15	101.6	15	2.5
T4GM-P0101545	T6GM-P0101545	1/2"	15	114.3	15	2.5
T4GM-P0101550	T6GM-P0101550	1/2"	15	127	15	2.5
T4GM-P0101555	T6GM-P0101555	1/2"	15	139.7	15	2.5
T4GM-P0101560	T6GM-P0101560	1/2"	15	152.4	15	2.5
T4GM-P0101570	T6GM-P0101570	1/2"	15	177.8	15	2.5
T4GM-P0101580	T6GM-P0101580	1/2"	15	203.2	15	2.5
T4GM-P0101590	T6GM-P0101590	1/2"	15	228.6	15	2.5
T4GM-P01015100	T6GM-P01015100	1/2"	15	254	15	2.5
T4GM-P01015110	T6GM-P01015110	1/2"	15	279.4	15	2.5
T4GM-P01015120	T6GM-P01015120	1/2"	15	304.8	15	2.5
T4GM-P01015180	T6GM-P01015180	1/2"	15	457.2	15	2.5
T4GM-P01015240	T6GM-P01015240	1/2"	15	609.6	15	2.5
T4GM-P01015360	T6GM-P01015360	1/2"	15	914.4	15	2.5
T4GM-P01015480	T6GM-P01015480	1/2"	15	1219.2	15	2.5
T4GM-P01015600	T6GM-P01015600	1/2"	15	1524	15	2.5
T4GM-P01015720	T6GM-P01015720	1/2"	15	1828.8	15	2.5
T4GM-P010151200	T6GM-P010151200	1/2"	15	3048	15	2.5
T4GM-P0102015	T6GM-P0102015	3/4"	20	38.1	17	2.5
T4GM-P0102020	T6GM-P0102020	3/4"	20	50.8	17	2.5
T4GM-P0102025	T6GM-P0102025	3/4"	20	63.5	17	2.5
T4GM-P0102030	T6GM-P0102030	3/4"	20	76.2	17	2.5
T4GM-P0102035	T6GM-P0102035	3/4"	20	88.9	17	2.5
T4GM-P0102040	T6GM-P0102040	3/4"	20	101.6	17	2.5
T4GM-P0102045	T6GM-P0102045	3/4"	20	114.3	17	2.5
T4GM-P0102050	T6GM-P0102050	3/4"	20	127	17	2.5
T4GM-P0102055	T6GM-P0102055	3/4"	20	139.7	17	2.5
T4GM-P0102060	T6GM-P0102060	3/4"	20	152.4	17	2.5
T4GM-P0102070	T6GM-P0102070	3/4"	20	177.8	17	2.5
T4GM-P0102080	T6GM-P0102080	3/4"	20	203.2	17	2.5
T4GM-P0102090	T6GM-P0102090	3/4"	20	228.6	17	2.5

### Barrel Nipple (SCH40)



Item No.(304)	Item No.(316)	Inch	DN	L	A	E
T4GM-P01020100	T6GM-P01020100	3/4"	20	254	17	2.5
T4GM-P01020110	T6GM-P01020110	3/4"	20	279.4	17	2.5
T4GM-P01020120	T6GM-P01020120	3/4"	20	304.8	17	2.5
T4GM-P01020180	T6GM-P01020180	3/4"	20	457.2	17	2.5
T4GM-P01020240	T6GM-P01020240	3/4"	20	609.6	17	2.5
T4GM-P01020360	T6GM-P01020360	3/4"	20	914.4	17	2.5
T4GM-P01020480	T6GM-P01020480	3/4"	20	1219.2	17	2.5
T4GM-P01020600	T6GM-P01020600	3/4"	20	1524	17	2.5
T4GM-P01020720	T6GM-P01020720	3/4"	20	1828.8	17	2.5
T4GM-P010201200	T6GM-P010201200	3/4"	20	3048	17	2.5
T4GM-P0102520	T6GM-P0102520	1"	25	50.8	19	3
T4GM-P0102525	T6GM-P0102525	1"	25	63.5	19	3
T4GM-P0102530	T6GM-P0102530	1"	25	76.2	19	3
T4GM-P0102535	T6GM-P0102535	1"	25	88.9	19	3
T4GM-P0102540	T6GM-P0102540	1"	25	101.6	19	3
T4GM-P0102545	T6GM-P0102545	1"	25	114.3	19	3
T4GM-P0102550	T6GM-P0102550	1"	25	127	19	3
T4GM-P0102555	T6GM-P0102555	1"	25	139.7	19	3
T4GM-P0102560	T6GM-P0102560	1"	25	152.4	19	3
T4GM-P0102570	T6GM-P0102570	1"	25	177.8	19	3
T4GM-P0102580	T6GM-P0102580	1"	25	203.2	19	3
T4GM-P0102590	T6GM-P0102590	1"	25	228.6	19	3
T4GM-P01025100	T6GM-P01025100	1"	25	254	19	3
T4GM-P01025110	T6GM-P01025110	1"	25	279.4	19	3
T4GM-P01025120	T6GM-P01025120	1"	25	304.8	19	3
T4GM-P01025180	T6GM-P01025180	1"	25	457.2	19	3
T4GM-P01025240	T6GM-P01025240	1"	25	609.6	19	3
T4GM-P01025360	T6GM-P01025360	1"	25	914.4	19	3
T4GM-P01025480	T6GM-P01025480	1"	25	1219.2	19	3
T4GM-P01025600	T6GM-P01025600	1"	25	1524	19	3
T4GM-P01025720	T6GM-P01025720	1"	25	1828.8	19	3
T4GM-P010251200	T6GM-P010251200	1"	25	3048	19	3
T4GM-P0103220	T6GM-P0103220	1 1/4"	32	50.8	22	3.2
T4GM-P0103225	T6GM-P0103225	1 1/4"	32	63.5	22	3.2
T4GM-P0103230	T6GM-P0103230	1 1/4"	32	76.2	22	3.2
T4GM-P0103235	T6GM-P0103235	1 1/4"	32	88.9	22	3.2
T4GM-P0103240	T6GM-P0103240	1 1/4"	32	101.6	22	3.2
T4GM-P0103245	T6GM-P0103245	1 1/4"	32	114.3	22	3.2
T4GM-P0103250	T6GM-P0103250	1 1/4"	32	127	22	3.2
T4GM-P0103255	T6GM-P0103255	1 1/4"	32	139.7	22	3.2
T4GM-P0103260	T6GM-P0103260	1 1/4"	32	152.4	22	3.2
T4GM-P0103270	T6GM-P0103270	1 1/4"	32	177.8	22	3.2
T4GM-P0103280	T6GM-P0103280	1 1/4"	32	203.2	22	3.2
T4GM-P0103290	T6GM-P0103290	1 1/4"	32	228.6	22	3.2
T4GM-P01032100	T6GM-P01032100	1 1/4"	32	254	22	3.2
T4GM-P01032110	T6GM-P01032110	1 1/4"	32	279.4	22	3.2
T4GM-P01032120	T6GM-P01032120	1 1/4"	32	304.8	22	3.2
T4GM-P01032180	T6GM-P01032180	1 1/4"	32	457.2	22	3.2
T4GM-P01032240	T6GM-P01032240	1 1/4"	32	609.6	22	3.2
T4GM-P01032360	T6GM-P01032360	1 1/4"	32	914.4	22	3.2
T4GM-P01032480	T6GM-P01032480	1 1/4"	32	1219.2	22	3.2
T4GM-P01032600	T6GM-P01032600	1 1/4"	32	1524	22	3.2

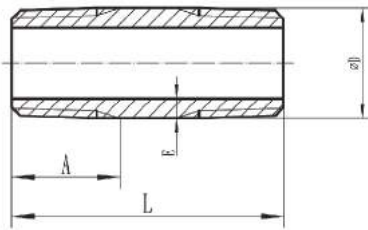
### Barrel Nipple (SCH40)



Item No.(304)	Item No.(316)	Inch	DN	L	A	E
T4GM-P01032720	T6GM-P01032720	1 1/4"	32	1828.8	22	3.2
T4GM-P010321200	T6GM-P010321200	1 1/4"	32	3048	22	3.2
T4GM-P0104020	T6GM-P0104020	1 1/2"	40	50.8	22	3.3
T4GM-P0104025	T6GM-P0104025	1 1/2"	40	63.5	22	3.3
T4GM-P0104030	T6GM-P0104030	1 1/2"	40	76.2	22	3.3
T4GM-P0104035	T6GM-P0104035	1 1/2"	40	88.9	22	3.3
T4GM-P0104040	T6GM-P0104040	1 1/2"	40	101.6	22	3.3
T4GM-P0104045	T6GM-P0104045	1 1/2"	40	114.3	22	3.3
T4GM-P0104050	T6GM-P0104050	1 1/2"	40	127	22	3.3
T4GM-P0104055	T6GM-P0104055	1 1/2"	40	139.7	22	3.3
T4GM-P0104060	T6GM-P0104060	1 1/2"	40	152.4	22	3.3
T4GM-P0104070	T6GM-P0104070	1 1/2"	40	177.8	22	3.3
T4GM-P0104080	T6GM-P0104080	1 1/2"	40	203.2	22	3.3
T4GM-P0104090	T6GM-P0104090	1 1/2"	40	228.6	22	3.3
T4GM-P01040100	T6GM-P01040100	1 1/2"	40	254	22	3.3
T4GM-P01040110	T6GM-P01040110	1 1/2"	40	279.4	22	3.3
T4GM-P01040120	T6GM-P01040120	1 1/2"	40	304.8	22	3.3
T4GM-P01040180	T6GM-P01040180	1 1/2"	40	457.2	22	3.3
T4GM-P01040240	T6GM-P01040240	1 1/2"	40	609.6	22	3.3
T4GM-P01040360	T6GM-P01040360	1 1/2"	40	914.4	22	3.3
T4GM-P01040480	T6GM-P01040480	1 1/2"	40	1219.2	22	3.3
T4GM-P01040600	T6GM-P01040600	1 1/2"	40	1524	22	3.3
T4GM-P01040720	T6GM-P01040720	1 1/2"	40	1828.8	22	3.3
T4GM-P010401200	T6GM-P010401200	1 1/2"	40	3048	22	3.3
T4GM-P0105025	T6GM-P0105025	2"	50	63.5	26	3.5
T4GM-P0105030	T6GM-P0105030	2"	50	76.2	26	3.5
T4GM-P0105035	T6GM-P0105035	2"	50	88.9	26	3.5
T4GM-P0105040	T6GM-P0105040	2"	50	101.6	26	3.5
T4GM-P0105045	T6GM-P0105045	2"	50	114.3	26	3.5
T4GM-P0105050	T6GM-P0105050	2"	50	127	26	3.5
T4GM-P0105055	T6GM-P0105055	2"	50	139.7	26	3.5
T4GM-P0105060	T6GM-P0105060	2"	50	152.4	26	3.5
T4GM-P0105070	T6GM-P0105070	2"	50	177.8	26	3.5
T4GM-P0105080	T6GM-P0105080	2"	50	203.2	26	3.5
T4GM-P0105090	T6GM-P0105090	2"	50	228.6	26	3.5
T4GM-P01050100	T6GM-P01050100	2"	50	254	26	3.5
T4GM-P01050110	T6GM-P01050110	2"	50	279.4	26	3.5
T4GM-P01050120	T6GM-P01050120	2"	50	304.8	26	3.5
T4GM-P01050180	T6GM-P01050180	2"	50	457.2	26	3.5
T4GM-P01050240	T6GM-P01050240	2"	50	609.6	26	3.5
T4GM-P01050360	T6GM-P01050360	2"	50	914.4	26	3.5
T4GM-P01050480	T6GM-P01050480	2"	50	1219.2	26	3.5
T4GM-P01050600	T6GM-P01050600	2"	50	1524	26	3.5
T4GM-P01050720	T6GM-P01050720	2"	50	1828.8	26	3.5
T4GM-P010501200	T6GM-P010501200	2"	50	3048	26	3.5
T4GM-P0106530	T6GM-P0106530	2 1/2"	65	76.2	32	4.6
T4GM-P0106535	T6GM-P0106535	2 1/2"	65	88.9	32	4.6
T4GM-P0106540	T6GM-P0106540	2 1/2"	65	101.6	32	4.6
T4GM-P0106545	T6GM-P0106545	2 1/2"	65	114.3	32	4.6
T4GM-P0106550	T6GM-P0106550	2 1/2"	65	127	32	4.6
T4GM-P0106555	T6GM-P0106555	2 1/2"	65	139.7	32	4.6
T4GM-P0106560	T6GM-P0106560	2 1/2"	65	152.4	32	4.6

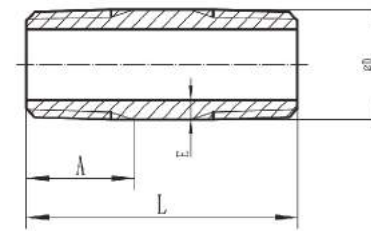


### Barrel Nipple (SCH40)



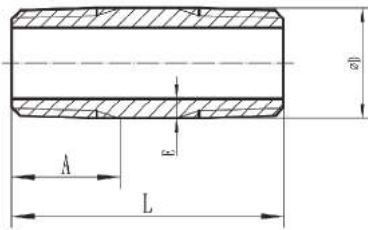
Item No.(304)	Item No.(316)	Inch	DN	L	A	E
T4GM-P0106570	T6GM-P0106570	2 1/2"	65	177.8	32	4.6
T4GM-P0106580	T6GM-P0106580	2 1/2"	65	203.2	32	4.6
T4GM-P0106590	T6GM-P0106590	2 1/2"	65	228.6	32	4.6
T4GM-P01065100	T6GM-P01065100	2 1/2"	65	254	32	4.6
T4GM-P01065110	T6GM-P01065110	2 1/2"	65	279.4	32	4.6
T4GM-P01065120	T6GM-P01065120	2 1/2"	65	304.8	32	4.6
T4GM-P01065180	T6GM-P01065180	2 1/2"	65	457.2	32	4.6
T4GM-P01065240	T6GM-P01065240	2 1/2"	65	609.6	32	4.6
T4GM-P01065360	T6GM-P01065360	2 1/2"	65	914.4	32	4.6
T4GM-P01065480	T6GM-P01065480	2 1/2"	65	1219.2	32	4.6
T4GM-P01065600	T6GM-P01065600	2 1/2"	65	1524	32	4.6
T4GM-P01065720	T6GM-P01065720	2 1/2"	65	1828.8	32	4.6
T4GM-P010651200	T6GM-P010651200	2 1/2"	65	3048	32	4.6
T4GM-P0108030	T6GM-P0108030	3"	80	76.2	34	5
T4GM-P0108035	T6GM-P0108035	3"	80	88.9	34	5
T4GM-P0108040	T6GM-P0108040	3"	80	101.6	34	5
T4GM-P0108045	T6GM-P0108045	3"	80	114.3	34	5
T4GM-P0108050	T6GM-P0108050	3"	80	127	34	5
T4GM-P0108055	T6GM-P0108055	3"	80	139.7	34	5
T4GM-P0108060	T6GM-P0108060	3"	80	152.4	34	5
T4GM-P0108070	T6GM-P0108070	3"	80	177.8	34	5
T4GM-P0108080	T6GM-P0108080	3"	80	203.2	34	5
T4GM-P0108090	T6GM-P0108090	3"	80	228.6	34	5
T4GM-P01080100	T6GM-P01080100	3"	80	254	34	5
T4GM-P01080110	T6GM-P01080110	3"	80	279.4	34	5
T4GM-P01080120	T6GM-P01080120	3"	80	304.8	34	5
T4GM-P01080180	T6GM-P01080180	3"	80	457.2	34	5
T4GM-P01080240	T6GM-P01080240	3"	80	609.6	34	5
T4GM-P01080360	T6GM-P01080360	3"	80	914.4	34	5
T4GM-P01080480	T6GM-P01080480	3"	80	1219.2	34	5
T4GM-P01080600	T6GM-P01080600	3"	80	1524	34	5
T4GM-P01080720	T6GM-P01080720	3"	80	1828.8	34	5
T4GM-P010801200	T6GM-P010801200	3"	80	3048	34	5
T4GM-P0110040	T6GM-P0110040	4"	100	101.6	40	5.5
T4GM-P0110045	T6GM-P0110045	4"	100	114.3	40	5.5
T4GM-P0110050	T6GM-P0110050	4"	100	127	40	5.5
T4GM-P0110055	T6GM-P0110055	4"	100	139.7	40	5.5
T4GM-P0110060	T6GM-P0110060	4"	100	152.4	40	5.5
T4GM-P0110070	T6GM-P0110070	4"	100	177.8	40	5.5
T4GM-P0110080	T6GM-P0110080	4"	100	203.2	40	5.5
T4GM-P0110090	T6GM-P0110090	4"	100	228.6	40	5.5
T4GM-P01100100	T6GM-P01100100	4"	100	254	40	5.5
T4GM-P01100110	T6GM-P01100110	4"	100	279.4	40	5.5
T4GM-P01100120	T6GM-P01100120	4"	100	304.8	40	5.5
T4GM-P01100180	T6GM-P01100180	4"	100	457.2	40	5.5
T4GM-P01100240	T6GM-P01100240	4"	100	609.6	40	5.5
T4GM-P01100360	T6GM-P01100360	4"	100	914.4	40	5.5
T4GM-P01100480	T6GM-P01100480	4"	100	1219.2	40	5.5
T4GM-P01100600	T6GM-P01100600	4"	100	1524	40	5.5
T4GM-P01100720	T6GM-P01100720	4"	100	1828.8	40	5.5
T4GM-P011001200	T6GM-P011001200	4"	100	3048	40	5.5

### Barrel Nipple (SCH80)



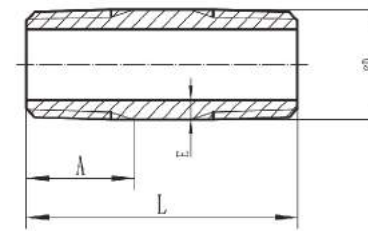
Item No.(304)	Item No.(316)	Inch	DN	L	A	E
T4GH-P0100615	T6GH-P0100615	1/8"	6	38.1	11	2.2
T4GH-P0100620	T6GH-P0100620	1/8"	6	50.8	11	2.2
T4GH-P0100625	T6GH-P0100625	1/8"	6	63.5	11	2.2
T4GH-P0100630	T6GH-P0100630	1/8"	6	76.2	11	2.2
T4GH-P0100635	T6GH-P0100635	1/8"	6	88.9	11	2.2
T4GH-P0100640	T6GH-P0100640	1/8"	6	101.6	11	2.2
T4GH-P0100645	T6GH-P0100645	1/8"	6	114.3	11	2.2
T4GH-P0100650	T6GH-P0100650	1/8"	6	127	11	2.2
T4GH-P0100655	T6GH-P0100655	1/8"	6	139.7	11	2.2
T4GH-P0100660	T6GH-P0100660	1/8"	6	152.4	11	2.2
T4GH-P0100670	T6GH-P0100670	1/8"	6	177.8	11	2.2
T4GH-P0100680	T6GH-P0100680	1/8"	6	203.2	11	2.2
T4GH-P0100690	T6GH-P0100690	1/8"	6	228.6	11	2.2
T4GH-P01006100	T6GH-P01006100	1/8"	6	254	11	2.2
T4GH-P01006110	T6GH-P01006110	1/8"	6	279.4	11	2.2
T4GH-P01006120	T6GH-P01006120	1/8"	6	304.8	11	2.2
T4GH-P01006180	T6GH-P01006180	1/8"	6	457.2	11	2.2
T4GH-P01006240	T6GH-P01006240	1/8"	6	609.6	11	2.2
T4GH-P01006360	T6GH-P01006360	1/8"	6	914.4	11	2.2
T4GH-P01006480	T6GH-P01006480	1/8"	6	1219.2	11	2.2
T4GH-P01006600	T6GH-P01006600	1/8"	6	1524	11	2.2
T4GH-P01006720	T6GH-P01006720	1/8"	6	1828.8	11	2.2
T4GH-P010061200	T6GH-P010061200	1/8"	6	3048	11	2.2
T4GH-P0100815	T6GH-P0100815	1/4"	8	38.1	11	2.7
T4GH-P0100820	T6GH-P0100820	1/4"	8	50.8	11	2.7
T4GH-P0100825	T6GH-P0100825	1/4"	8	63.5	11	2.7
T4GH-P0100830	T6GH-P0100830	1/4"	8	76.2	11	2.7
T4GH-P0100835	T6GH-P0100835	1/4"	8	88.9	11	2.7
T4GH-P0100840	T6GH-P0100840	1/4"	8	101.6	11	2.7
T4GH-P0100845	T6GH-P0100845	1/4"	8	114.3	11	2.7
T4GH-P0100850	T6GH-P0100850	1/4"	8	127	11	2.7
T4GH-P0100855	T6GH-P0100855	1/4"	8	139.7	11	2.7
T4GH-P0100860	T6GH-P0100860	1/4"	8	152.4	11	2.7
T4GH-P0100870	T6GH-P0100870	1/4"	8	177.8	11	2.7
T4GH-P0100880	T6GH-P0100880	1/4"	8	203.2	11	2.7
T4GH-P0100890	T6GH-P0100890	1/4"	8	228.6	11	2.7
T4GH-P01008100	T6GH-P01008100	1/4"	8	254	11	2.7
T4GH-P01008110	T6GH-P01008110	1/4"	8	279.4	11	2.7
T4GH-P01008120	T6GH-P01008120	1/4"	8	304.8	11	2.7
T4GH-P01008180	T6GH-P01008180	1/4"	8	457.2	11	2.7
T4GH-P01008240	T6GH-P01008240	1/4"	8	609.6	11	2.7
T4GH-P01008360	T6GH-P01008360	1/4"	8	914.4	11	2.7
T4GH-P01008480	T6GH-P01008480	1/4"	8	1219.2	11	2.7
T4GH-P01008600	T6GH-P01008600	1/4"	8	1524	11	2.7
T4GH-P01008720	T6GH-P01008720	1/4"	8	1828.8	11	2.7
T4GH-P010081200	T6GH-P010081200	1/4"	8	3048	11	2.7
T4GH-P0101015	T6GH-P0101015	3/8"	10	38.1	12	2.9
T4GH-P0101020	T6GH-P0101020	3/8"	10	50.8	12	2.9
T4GH-P0101025	T6GH-P0101025	3/8"	10	63.5	12	2.9
T4GH-P0101030	T6GH-P0101030	3/8"	10	76.2	12	2.9
T4GH-P0101035	T6GH-P0101035	3/8"	10	88.9	12	2.9
T4GH-P0101040	T6GH-P0101040	3/8"	10	101.6	12	2.9

### Barrel Nipple (SCH80)



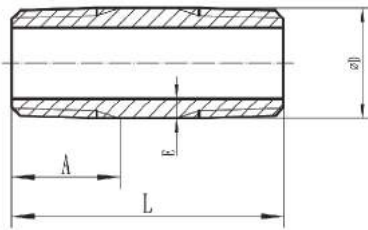
Item No.(304)	Item No.(316)	Inch	DN	L	A	E
T4GH-P0101045	T6GH-P0101045	3/8"	10	114.3	12	2.9
T4GH-P0101050	T6GH-P0101050	3/8"	10	127	12	2.9
T4GH-P0101055	T6GH-P0101055	3/8"	10	139.7	12	2.9
T4GH-P0101060	T6GH-P0101060	3/8"	10	152.4	12	2.9
T4GH-P0101070	T6GH-P0101070	3/8"	10	177.8	12	2.9
T4GH-P0101080	T6GH-P0101080	3/8"	10	203.2	12	2.9
T4GH-P0101090	T6GH-P0101090	3/8"	10	228.6	12	2.9
T4GH-P01010100	T6GH-P01010100	3/8"	10	254	12	2.9
T4GH-P01010110	T6GH-P01010110	3/8"	10	279.4	12	2.9
T4GH-P01010120	T6GH-P01010120	3/8"	10	304.8	12	2.9
T4GH-P01010180	T6GH-P01010180	3/8"	10	457.2	12	2.9
T4GH-P01010240	T6GH-P01010240	3/8"	10	609.6	12	2.9
T4GH-P01010360	T6GH-P01010360	3/8"	10	914.4	12	2.9
T4GH-P01010480	T6GH-P01010480	3/8"	10	1219.2	12	2.9
T4GH-P01010600	T6GH-P01010600	3/8"	10	1524	12	2.9
T4GH-P01010720	T6GH-P01010720	3/8"	10	1828.8	12	2.9
T4GH-P010101200	T6GH-P010101200	3/8"	10	3048	12	2.9
T4GH-P0101515	T6GH-P0101515	1/2"	15	38.1	15	3.3
T4GH-P0101520	T6GH-P0101520	1/2"	15	50.8	15	3.3
T4GH-P0101525	T6GH-P0101525	1/2"	15	63.5	15	3.3
T4GH-P0101530	T6GH-P0101530	1/2"	15	76.2	15	3.3
T4GH-P0101535	T6GH-P0101535	1/2"	15	88.9	15	3.3
T4GH-P0101540	T6GH-P0101540	1/2"	15	101.6	15	3.3
T4GH-P0101545	T6GH-P0101545	1/2"	15	114.3	15	3.3
T4GH-P0101550	T6GH-P0101550	1/2"	15	127	15	3.3
T4GH-P0101555	T6GH-P0101555	1/2"	15	139.7	15	3.3
T4GH-P0101560	T6GH-P0101560	1/2"	15	152.4	15	3.3
T4GH-P0101570	T6GH-P0101570	1/2"	15	177.8	15	3.3
T4GH-P0101580	T6GH-P0101580	1/2"	15	203.2	15	3.3
T4GH-P0101590	T6GH-P0101590	1/2"	15	228.6	15	3.3
T4GH-P01015100	T6GH-P01015100	1/2"	15	254	15	3.3
T4GH-P01015110	T6GH-P01015110	1/2"	15	279.4	15	3.3
T4GH-P01015120	T6GH-P01015120	1/2"	15	304.8	15	3.3
T4GH-P01015180	T6GH-P01015180	1/2"	15	457.2	15	3.3
T4GH-P01015240	T6GH-P01015240	1/2"	15	609.6	15	3.3
T4GH-P01015360	T6GH-P01015360	1/2"	15	914.4	15	3.3
T4GH-P01015480	T6GH-P01015480	1/2"	15	1219.2	15	3.3
T4GH-P01015600	T6GH-P01015600	1/2"	15	1524	15	3.3
T4GH-P01015720	T6GH-P01015720	1/2"	15	1828.8	15	3.3
T4GH-P010151200	T6GH-P010151200	1/2"	15	3048	15	3.3
T4GH-P0102015	T6GH-P0102015	3/4"	20	38.1	17	3.5
T4GH-P0102020	T6GH-P0102020	3/4"	20	50.8	17	3.5
T4GH-P0102025	T6GH-P0102025	3/4"	20	63.5	17	3.5
T4GH-P0102030	T6GH-P0102030	3/4"	20	76.2	17	3.5
T4GH-P0102035	T6GH-P0102035	3/4"	20	88.9	17	3.5
T4GH-P0102040	T6GH-P0102040	3/4"	20	101.6	17	3.5
T4GH-P0102045	T6GH-P0102045	3/4"	20	114.3	17	3.5
T4GH-P0102050	T6GH-P0102050	3/4"	20	127	17	3.5
T4GH-P0102055	T6GH-P0102055	3/4"	20	139.7	17	3.5
T4GH-P0102060	T6GH-P0102060	3/4"	20	152.4	17	3.5
T4GH-P0102070	T6GH-P0102070	3/4"	20	177.8	17	3.5
T4GH-P0102080	T6GH-P0102080	3/4"	20	203.2	17	3.5

### Barrel Nipple (SCH80)



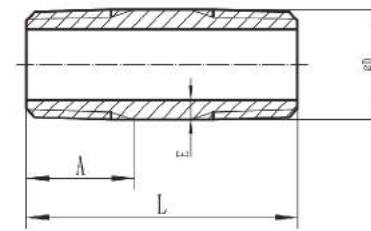
Item No.(304)	Item No.(316)	Inch	DN	L	A	E
T4GH-P0102090	T6GH-P0102090	3/4"	20	228.6	17	3.5
T4GH-P01020100	T6GH-P01020100	3/4"	20	254	17	3.5
T4GH-P01020110	T6GH-P01020110	3/4"	20	279.4	17	3.5
T4GH-P01020120	T6GH-P01020120	3/4"	20	304.8	17	3.5
T4GH-P01020180	T6GH-P01020180	3/4"	20	457.2	17	3.5
T4GH-P01020240	T6GH-P01020240	3/4"	20	609.6	17	3.5
T4GH-P01020360	T6GH-P01020360	3/4"	20	914.4	17	3.5
T4GH-P01020480	T6GH-P01020480	3/4"	20	1219.2	17	3.5
T4GH-P01020600	T6GH-P01020600	3/4"	20	1524	17	3.5
T4GH-P01020720	T6GH-P01020720	3/4"	20	1828.8	17	3.5
T4GH-P010201200	T6GH-P010201200	3/4"	20	3048	17	3.5
T4GH-P0102520	T6GH-P0102520	1"	25	50.8	19	4.1
T4GH-P0102525	T6GH-P0102525	1"	25	63.5	19	4.1
T4GH-P0102530	T6GH-P0102530	1"	25	76.2	19	4.1
T4GH-P0102535	T6GH-P0102535	1"	25	88.9	19	4.1
T4GH-P0102540	T6GH-P0102540	1"	25	101.6	19	4.1
T4GH-P0102545	T6GH-P0102545	1"	25	114.3	19	4.1
T4GH-P0102550	T6GH-P0102550	1"	25	127	19	4.1
T4GH-P0102555	T6GH-P0102555	1"	25	139.7	19	4.1
T4GH-P0102560	T6GH-P0102560	1"	25	152.4	19	4.1
T4GH-P0102570	T6GH-P0102570	1"	25	177.8	19	4.1
T4GH-P0102580	T6GH-P0102580	1"	25	203.2	19	4.1
T4GH-P0102590	T6GH-P0102590	1"	25	228.6	19	4.1
T4GH-P01025100	T6GH-P01025100	1"	25	254	19	4.1
T4GH-P01025110	T6GH-P01025110	1"	25	279.4	19	4.1
T4GH-P01025120	T6GH-P01025120	1"	25	304.8	19	4.1
T4GH-P01025180	T6GH-P01025180	1"	25	457.2	19	4.1
T4GH-P01025240	T6GH-P01025240	1"	25	609.6	19	4.1
T4GH-P01025360	T6GH-P01025360	1"	25	914.4	19	4.1
T4GH-P01025480	T6GH-P01025480	1"	25	1219.2	19	4.1
T4GH-P01025600	T6GH-P01025600	1"	25	1524	19	4.1
T4GH-P01025720	T6GH-P01025720	1"	25	1828.8	19	4.1
T4GH-P010251200	T6GH-P010251200	1"	25	3048	19	4.1
T4GH-P0103220	T6GH-P0103220	1 1/4"	32	50.8	22	4.3
T4GH-P0103225	T6GH-P0103225	1 1/4"	32	63.5	22	4.3
T4GH-P0103230	T6GH-P0103230	1 1/4"	32	76.2	22	4.3
T4GH-P0103235	T6GH-P0103235	1 1/4"	32	88.9	22	4.3
T4GH-P0103240	T6GH-P0103240	1 1/4"	32	101.6	22	4.3
T4GH-P0103245	T6GH-P0103245	1 1/4"	32	114.3	22	4.3
T4GH-P0103250	T6GH-P0103250	1 1/4"	32	127	22	4.3
T4GH-P0103255	T6GH-P0103255	1 1/4"	32	139.7	22	4.3
T4GH-P0103260	T6GH-P0103260	1 1/4"	32	152.4	22	4.3
T4GH-P0103270	T6GH-P0103270	1 1/4"	32	177.8	22	4.3
T4GH-P0103280	T6GH-P0103280	1 1/4"	32	203.2	22	4.3
T4GH-P0103290	T6GH-P0103290	1 1/4"	32	228.6	22	4.3
T4GH-P01032100	T6GH-P01032100	1 1/4"	32	254	22	4.3
T4GH-P01032110	T6GH-P01032110	1 1/4"	32	279.4	22	4.3
T4GH-P01032120	T6GH-P01032120	1 1/4"	32	304.8	22	4.3
T4GH-P01032180	T6GH-P01032180	1 1/4"	32	457.2	22	4.3
T4GH-P01032240	T6GH-P01032240	1 1/4"	32	609.6	22	4.3
T4GH-P01032360	T6GH-P01032360	1 1/4"	32	914.4	22	4.3
T4GH-P01032480	T6GH-P01032480	1 1/4"	32	1219.2	22	4.3

### Barrel Nipple (SCH80)



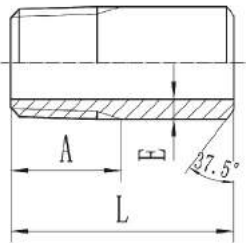
Item No.(304)	Item No.(316)	Inch	DN	L	A	E
T4GH-P01032600	T6GH-P01032600	1 1/4"	32	1524	22	4.3
T4GH-P01032720	T6GH-P01032720	1 1/4"	32	1828.8	22	4.3
T4GH-P010321200	T6GH-P010321200	1 1/4"	32	3048	22	4.3
T4GH-P0104020	T6GH-P0104020	1 1/2"	40	50.8	22	4.5
T4GH-P0104025	T6GH-P0104025	1 1/2"	40	63.5	22	4.5
T4GH-P0104030	T6GH-P0104030	1 1/2"	40	76.2	22	4.5
T4GH-P0104035	T6GH-P0104035	1 1/2"	40	88.9	22	4.5
T4GH-P0104040	T6GH-P0104040	1 1/2"	40	101.6	22	4.5
T4GH-P0104045	T6GH-P0104045	1 1/2"	40	114.3	22	4.5
T4GH-P0104050	T6GH-P0104050	1 1/2"	40	127	22	4.5
T4GH-P0104055	T6GH-P0104055	1 1/2"	40	139.7	22	4.5
T4GH-P0104060	T6GH-P0104060	1 1/2"	40	152.4	22	4.5
T4GH-P0104070	T6GH-P0104070	1 1/2"	40	177.8	22	4.5
T4GH-P0104080	T6GH-P0104080	1 1/2"	40	203.2	22	4.5
T4GH-P0104090	T6GH-P0104090	1 1/2"	40	228.6	22	4.5
T4GH-P01040100	T6GH-P01040100	1 1/2"	40	254	22	4.5
T4GH-P01040110	T6GH-P01040110	1 1/2"	40	279.4	22	4.5
T4GH-P01040120	T6GH-P01040120	1 1/2"	40	304.8	22	4.5
T4GH-P01040180	T6GH-P01040180	1 1/2"	40	457.2	22	4.5
T4GH-P01040240	T6GH-P01040240	1 1/2"	40	609.6	22	4.5
T4GH-P01040360	T6GH-P01040360	1 1/2"	40	914.4	22	4.5
T4GH-P01040480	T6GH-P01040480	1 1/2"	40	1219.2	22	4.5
T4GH-P01040600	T6GH-P01040600	1 1/2"	40	1524	22	4.5
T4GH-P01040720	T6GH-P01040720	1 1/2"	40	1828.8	22	4.5
T4GH-P010401200	T6GH-P010401200	1 1/2"	40	3048	22	4.5
T4GH-P0105025	T6GH-P0105025	2"	50	63.5	26	5
T4GH-P0105030	T6GH-P0105030	2"	50	76.2	26	5
T4GH-P0105035	T6GH-P0105035	2"	50	88.9	26	5
T4GH-P0105040	T6GH-P0105040	2"	50	101.6	26	5
T4GH-P0105045	T6GH-P0105045	2"	50	114.3	26	5
T4GH-P0105050	T6GH-P0105050	2"	50	127	26	5
T4GH-P0105055	T6GH-P0105055	2"	50	139.7	26	5
T4GH-P0105060	T6GH-P0105060	2"	50	152.4	26	5
T4GH-P0105070	T6GH-P0105070	2"	50	177.8	26	5
T4GH-P0105080	T6GH-P0105080	2"	50	203.2	26	5
T4GH-P0105090	T6GH-P0105090	2"	50	228.6	26	5
T4GH-P01050100	T6GH-P01050100	2"	50	254	26	5
T4GH-P01050110	T6GH-P01050110	2"	50	279.4	26	5
T4GH-P01050120	T6GH-P01050120	2"	50	304.8	26	5
T4GH-P01050180	T6GH-P01050180	2"	50	457.2	26	5
T4GH-P01050240	T6GH-P01050240	2"	50	609.6	26	5
T4GH-P01050360	T6GH-P01050360	2"	50	914.4	26	5
T4GH-P01050480	T6GH-P01050480	2"	50	1219.2	26	5
T4GH-P01050600	T6GH-P01050600	2"	50	1524	26	5
T4GH-P01050720	T6GH-P01050720	2"	50	1828.8	26	5
T4GH-P010501200	T6GH-P010501200	2"	50	3048	26	5
T4GH-P0106530	T6GH-P0106530	2 1/2"	65	76.2	32	6.3
T4GH-P0106535	T6GH-P0106535	2 1/2"	65	88.9	32	6.3
T4GH-P0106540	T6GH-P0106540	2 1/2"	65	101.6	32	6.3
T4GH-P0106545	T6GH-P0106545	2 1/2"	65	114.3	32	6.3
T4GH-P0106550	T6GH-P0106550	2 1/2"	65	127	32	6.3
T4GH-P0106555	T6GH-P0106555	2 1/2"	65	139.7	32	6.3

### Barrel Nipple (SCH80)



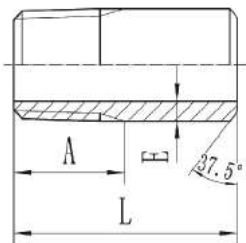
Item No.(304)	Item No.(316)	Inch	DN	L	A	E
T4GH-P0106560	T6GH-P0106560	2 1/2"	65	152.4	32	6.3
T4GH-P0106570	T6GH-P0106570	2 1/2"	65	177.8	32	6.3
T4GH-P0106580	T6GH-P0106580	2 1/2"	65	203.2	32	6.3
T4GH-P0106590	T6GH-P0106590	2 1/2"	65	228.6	32	6.3
T4GH-P01065100	T6GH-P01065100	2 1/2"	65	254	32	6.3
T4GH-P01065110	T6GH-P01065110	2 1/2"	65	279.4	32	6.3
T4GH-P01065120	T6GH-P01065120	2 1/2"	65	304.8	32	6.3
T4GH-P01065180	T6GH-P01065180	2 1/2"	65	457.2	32	6.3
T4GH-P01065240	T6GH-P01065240	2 1/2"	65	609.6	32	6.3
T4GH-P01065360	T6GH-P01065360	2 1/2"	65	914.4	32	6.3
T4GH-P01065480	T6GH-P01065480	2 1/2"	65	1219.2	32	6.3
T4GH-P01065600	T6GH-P01065600	2 1/2"	65	1524	32	6.3
T4GH-P01065720	T6GH-P01065720	2 1/2"	65	1828.8	32	6.3
T4GH-P010651200	T6GH-P010651200	2 1/2"	65	3048	32	6.3
T4GH-P0108030	T6GH-P0108030	3"	80	76.2	34	6.8
T4GH-P0108035	T6GH-P0108035	3"	80	88.9	34	6.8
T4GH-P0108040	T6GH-P0108040	3"	80	101.6	34	6.8
T4GH-P0108045	T6GH-P0108045	3"	80	114.3	34	6.8
T4GH-P0108050	T6GH-P0108050	3"	80	127	34	6.8
T4GH-P0108055	T6GH-P0108055	3"	80	139.7	34	6.8
T4GH-P0108060	T6GH-P0108060	3"	80	152.4	34	6.8
T4GH-P0108070	T6GH-P0108070	3"	80	177.8	34	6.8
T4GH-P0108080	T6GH-P0108080	3"	80	203.2	34	6.8
T4GH-P0108090	T6GH-P0108090	3"	80	228.6	34	6.8
T4GH-P01080100	T6GH-P01080100	3"	80	254	34	6.8
T4GH-P01080110	T6GH-P01080110	3"	80	279.4	34	6.8
T4GH-P01080120	T6GH-P01080120	3"	80	304.8	34	6.8
T4GH-P01080180	T6GH-P01080180	3"	80	457.2	34	6.8
T4GH-P01080240	T6GH-P01080240	3"	80	609.6	34	6.8
T4GH-P01080360	T6GH-P01080360	3"	80	914.4	34	6.8
T4GH-P01080480	T6GH-P01080480	3"	80	1219.2	34	6.8
T4GH-P01080600	T6GH-P01080600	3"	80	1524	34	6.8
T4GH-P01080720	T6GH-P01080720	3"	80	1828.8	34	6.8
T4GH-P010801200	T6GH-P010801200	3"	80	3048	34	6.8
T4GH-P0110040	T6GH-P0110040	4"	100	101.6	40	7.6
T4GH-P0110045	T6GH-P0110045	4"	100	114.3	40	7.6
T4GH-P0110050	T6GH-P0110050	4"	100	127	40	7.6
T4GH-P0110055	T6GH-P0110055	4"	100	139.7	40	7.6
T4GH-P0110060	T6GH-P0110060	4"	100	152.4	40	7.6
T4GH-P0110070	T6GH-P0110070	4"	100	177.8	40	7.6
T4GH-P0110080	T6GH-P0110080	4"	100	203.2	40	7.6
T4GH-P0110090	T6GH-P0110090	4"	100	228.6	40	7.6
T4GH-P01100100	T6GH-P01100100	4"	100	254	40	7.6
T4GH-P01100110	T6GH-P01100110	4"	100	279.4	40	7.6
T4GH-P01100120	T6GH-P01100120	4"	100	304.8	40	7.6
T4GH-P01100180	T6GH-P01100180	4"	100	457.2	40	7.6
T4GH-P01100240	T6GH-P01100240	4"	100	609.6	40	7.6
T4GH-P01100360	T6GH-P01100360	4"	100	914.4	40	7.6
T4GH-P01100480	T6GH-P01100480	4"	100	1219.2	40	7.6
T4GH-P01100600	T6GH-P01100600	4"	100	1524	40	7.6
T4GH-P01100720	T6GH-P01100720	4"	100	1828.8	40	7.6
T4GH-P011001200	T6GH-P011001200	4"	100	3048	40	7.6

### Welding Nipple (SCH40)



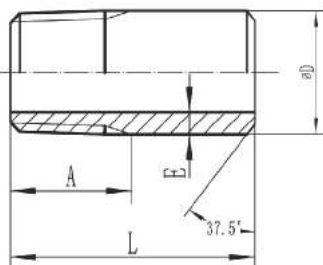
Item No.(304)	Item No.(316)	Inch	DN	L	A	E
T4GM-P02006	T6GM-P02006	1/8"	6	30	11	1.73
T4GM-P02008	T6GM-P02008	1/4"	8	30	11	2
T4GM-P02010	T6GM-P02010	3/8"	10	30	12	2.1
T4GM-P02015	T6GM-P02015	1/2"	15	35	15	2.5
T4GM-P02020	T6GM-P02020	3/4"	20	40	17	2.5
T4GM-P02025	T6GM-P02025	1"	25	40	19	3
T4GM-P02032	T6GM-P02032	1 1/4"	32	50	22	3.2
T4GM-P02040	T6GM-P02040	1 1/2"	40	50	22	3.3
T4GM-P02050	T6GM-P02050	2"	50	50	26	3.5
T4GM-P02065	T6GM-P02065	2 1/2"	65	60	32	4.6
T4GM-P02080	T6GM-P02080	3"	80	70	34	5
T4GM-P02100	T6GM-P02100	4"	100	80	40	5.5

### Welding Nipple (SCH80)



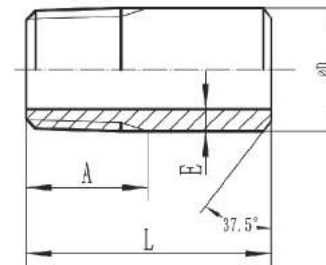
Item No.(304)	Item No.(316)	Inch	DN	L	A	E
T4GH-P02006	T6GH-P02006	1/8"	6	30	11	2.2
T4GH-P02008	T6GH-P02008	1/4"	8	30	11	2.7
T4GH-P02010	T6GH-P02010	3/8"	10	30	12	2.9
T4GH-P02015	T6GH-P02015	1/2"	15	35	15	3.3
T4GH-P02020	T6GH-P02020	3/4"	20	40	17	3.5
T4GH-P02025	T6GH-P02025	1"	25	40	19	4.1
T4GH-P02032	T6GH-P02032	1 1/4"	32	50	22	4.3
T4GH-P02040	T6GH-P02040	1 1/2"	40	50	22	4.5
T4GH-P02050	T6GH-P02050	2"	50	50	26	5
T4GH-P02065	T6GH-P02065	2 1/2"	65	60	32	6.3
T4GH-P02080	T6GH-P02080	3"	80	70	34	6.8
T4GH-P02100	T6GH-P02100	4"	100	80	40	7.6

### Welding Nipple (SCH40)



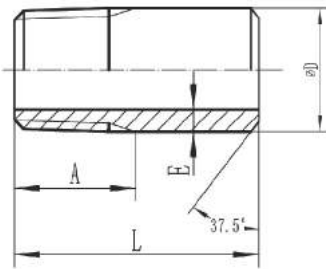
Item No.(304)	Item No.(316)	Inch	DN	L	A	E
T4GM-P0200610	T6GM-P0200610	1/8"	6	25.4	11	1.73
T4GM-P0200615	T6GM-P0200615	1/8"	6	38.1	11	1.73
T4GM-P0200620	T6GM-P0200620	1/8"	6	50.8	11	1.73
T4GM-P0200625	T6GM-P0200625	1/8"	6	63.5	11	1.73
T4GM-P0200630	T6GM-P0200630	1/8"	6	76.2	11	1.73
T4GM-P0200640	T6GM-P0200640	1/8"	6	101.6	11	1.73
T4GM-P0200660	T6GM-P0200660	1/8"	6	152.4	11	1.73
T4GM-P0200810	T6GM-P0200810	1/4"	8	25.4	11	2
T4GM-P0200815	T6GM-P0200815	1/4"	8	38.1	11	2
T4GM-P0200820	T6GM-P0200820	1/4"	8	50.8	11	2
T4GM-P0200825	T6GM-P0200825	1/4"	8	63.5	11	2
T4GM-P0200830	T6GM-P0200830	1/4"	8	76.2	11	2
T4GM-P0200840	T6GM-P0200840	1/4"	8	101.6	11	2
T4GM-P0200860	T6GM-P0200860	1/4"	8	152.4	11	2
T4GM-P0201010	T6GM-P0201010	3/8"	10	25.4	12	2.1
T4GM-P0201015	T6GM-P0201015	3/8"	10	38.1	12	2.1
T4GM-P0201020	T6GM-P0201020	3/8"	10	50.8	12	2.1
T4GM-P0201025	T6GM-P0201025	3/8"	10	63.5	12	2.1

### Welding Nipple (SCH40)



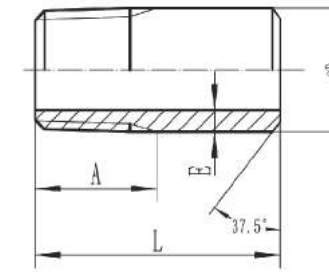
Item No.(304)	Item No.(316)	Inch	DN	L	A	E
T4GM-P0201030	T6GM-P0201030	3/8"	10	76.2	12	2.1
T4GM-P0201040	T6GM-P0201040	3/8"	10	101.6	12	2.1
T4GM-P0201060	T6GM-P0201060	3/8"	10	152.4	12	2.1
T4GM-P02001510	T6GM-P02001510	1/2"	15	25.4	15	2.5
T4GM-P02001515	T6GM-P02001515	1/2"	15	38.1	15	2.5
T4GM-P02001520	T6GM-P02001520	1/2"	15	50.8	15	2.5
T4GM-P02001525	T6GM-P02001525	1/2"	15	63.5	15	2.5
T4GM-P02001530	T6GM-P02001530	1/2"	15	76.2	15	2.5
T4GM-P02001540	T6GM-P02001540	1/2"	15	101.6	15	2.5
T4GM-P02001560	T6GM-P02001560	1/2"	15	152.4	15	2.5
T4GM-P0202010	T6GM-P0202010	3/4"	20	25.4	17	2.5
T4GM-P0202015	T6GM-P0202015	3/4"	20	38.1	17	2.5
T4GM-P0202020	T6GM-P0202020	3/4"	20	50.8	17	2.5
T4GM-P0202025	T6GM-P0202025	3/4"	20	63.5	17	2.5
T4GM-P0202030	T6GM-P0202030	3/4"	20	76.2	17	2.5
T4GM-P0202040	T6GM-P0202040	3/4"	20	101.6	17	2.5
T4GM-P0202060	T6GM-P0202060	3/4"	20	152.4	17	2.5
T4GM-P0202515	T6GM-P0202515	1"	25	38.1	19	3
T4GM-P0202520	T6GM-P0202520	1"	25	50.8	19	3
T4GM-P0202525	T6GM-P0202525	1"	25	63.5	19	3
T4GM-P0202530	T6GM-P0202530	1"	25	76.2	19	3
T4GM-P0202540	T6GM-P0202540	1"	25	101.6	19	3
T4GM-P0202560	T6GM-P0202560	1"	25	152.4	19	3
T4GM-P0203215	T6GM-P0203215	1 1/4"	32	38.1	22	3.2
T4GM-P0203220	T6GM-P0203220	1 1/4"	32	50.8	22	3.2
T4GM-P0203225	T6GM-P0203225	1 1/4"	32	63.5	22	3.2
T4GM-P0203230	T6GM-P0203230	1 1/4"	32	76.2	22	3.2
T4GM-P0203240	T6GM-P0203240	1 1/4"	32	101.6	22	3.2
T4GM-P0203260	T6GM-P0203260	1 1/4"	32	152.4	22	3.2
T4GM-P0204015	T6GM-P0204015	1 1/2"	40	38.1	22	3.3
T4GM-P0204020	T6GM-P0204020	1 1/2"	40	50.8	22	3.3
T4GM-P0204025	T6GM-P0204025	1 1/2"	40	63.5	22	3.3
T4GM-P0204030	T6GM-P0204030	1 1/2"	40	76.2	22	3.3
T4GM-P0204040	T6GM-P0204040	1 1/2"	40	101.6	22	3.3
T4GM-P0204060	T6GM-P0204060	1 1/2"	40	152.4	22	3.3
T4GM-P0205020	T6GM-P0205020	2"	50	50.8	26	3.5
T4GM-P0205025	T6GM-P0205025	2"	50	63.5	26	3.5
T4GM-P0205030	T6GM-P0205030	2"	50	76.2	26	3.5
T4GM-P0205040	T6GM-P0205040	2"	50	101.6	26	3.5
T4GM-P0205060	T6GM-P0205060	2"	50	152.4	26	3.5
T4GM-P0206525	T6GM-P0206525	2 1/2"	65	63.5	32	4.6
T4GM-P0206530	T6GM-P0206530	2 1/2"	65	76.2	32	4.6
T4GM-P0206540	T6GM-P0206540	2 1/2"	65	101.6	32	4.6
T4GM-P0206560	T6GM-P0206560	2 1/2"	65	152.4	32	4.6
T4GM-P0208030	T6GM-P0208030	3"	80	76.2	34	5
T4GM-P0208040	T6GM-P0208040	3"	80	101.6	34	5
T4GM-P0208060	T6GM-P0208060	3"	80	152.4	34	5
T4GM-P0210025	T6GM-P0210025	4"	100	63.5	40	5.5
T4GM-P0210030	T6GM-P0210030	4"	100	76.2	40	5.5
T4GM-P0210040	T6GM-P0210040	4"	100	101.6	40	5.5
T4GM-P0210060	T6GM-P0210060	4"	100	152.4	40	5.5

### Welding Nipple (SCH80)



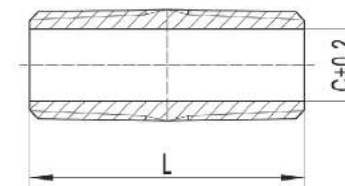
Item No.(304)	Item No.(316)	Inch	DN	L	A	E
T4GH-P0200610	T6GH-P0200610	1/8"	6	25.4	11	2.2
T4GH-P0200615	T6GH-P0200615	1/8"	6	38.1	11	2.2
T4GH-P0200620	T6GH-P0200620	1/8"	6	50.8	11	2.2
T4GH-P0200625	T6GH-P0200625	1/8"	6	63.5	11	2.2
T4GH-P0200630	T6GH-P0200630	1/8"	6	76.2	11	2.2
T4GH-P0200640	T6GH-P0200640	1/8"	6	101.6	11	2.2
T4GH-P0200660	T6GH-P0200660	1/8"	6	152.4	11	2.2
T4GH-P0200810	T6GH-P0200810	1/4"	8	25.4	11	2.7
T4GH-P0200815	T6GH-P0200815	1/4"	8	38.1	11	2.7
T4GH-P0200820	T6GH-P0200820	1/4"	8	50.8	11	2.7
T4GH-P0200825	T6GH-P0200825	1/4"	8	63.5	11	2.7
T4GH-P0200830	T6GH-P0200830	1/4"	8	76.2	11	2.7
T4GH-P0200840	T6GH-P0200840	1/4"	8	101.6	11	2.7
T4GH-P0200860	T6GH-P0200860	1/4"	8	152.4	11	2.7
T4GH-P0201010	T6GH-P0201010	3/8"	10	25.4	12	2.9
T4GH-P0201015	T6GH-P0201015	3/8"	10	38.1	12	2.9
T4GH-P0201020	T6GH-P0201020	3/8"	10	50.8	12	2.9
T4GH-P0201025	T6GH-P0201025	3/8"	10	63.5	12	2.9
T4GH-P0201030	T6GH-P0201030	3/8"	10	76.2	12	2.9
T4GH-P0201040	T6GH-P0201040	3/8"	10	101.6	12	2.9
T4GH-P0201060	T6GH-P0201060	3/8"	10	152.4	12	2.9
T4GH-P0201510	T6GH-P0201510	1/2"	15	25.4	15	3.3
T4GH-P0201515	T6GH-P0201515	1/2"	15	38.1	15	3.3
T4GH-P0201520	T6GH-P0201520	1/2"	15	50.8	15	3.3
T4GH-P0201525	T6GH-P0201525	1/2"	15	63.5	15	3.3
T4GH-P0201530	T6GH-P0201530	1/2"	15	76.2	15	3.3
T4GH-P0201540	T6GH-P0201540	1/2"	15	101.6	15	3.3
T4GH-P0201560	T6GH-P0201560	1/2"	15	152.4	15	3.3
T4GH-P0202010	T6GH-P0202010	3/4"	20	25.4	17	3.5
T4GH-P0202015	T6GH-P0202015	3/4"	20	38.1	17	3.5
T4GH-P0202020	T6GH-P0202020	3/4"	20	50.8	17	3.5
T4GH-P0202025	T6GH-P0202025	3/4"	20	63.5	17	3.5
T4GH-P0202030	T6GH-P0202030	3/4"	20	76.2	17	3.5
T4GH-P0202040	T6GH-P0202040	3/4"	20	101.6	17	3.5
T4GH-P0202060	T6GH-P0202060	3/4"	20	152.4	17	3.5
T4GH-P0202515	T6GH-P0202515	1"	25	38.1	19	4.1
T4GH-P0202520	T6GH-P0202520	1"	25	50.8	19	4.1
T4GH-P0202525	T6GH-P0202525	1"	25	63.5	19	4.1
T4GH-P0202530	T6GH-P0202530	1"	25	76.2	19	4.1
T4GH-P0202540	T6GH-P0202540	1"	25	101.6	19	4.1
T4GH-P0202560	T6GH-P0202560	1"	25	152.4	19	4.1
T4GH-P0203215	T6GH-P0203215	1 1/4"	32	38.1	22	4.3
T4GH-P0203220	T6GH-P0203220	1 1/4"	32	50.8	22	4.3
T4GH-P0203225	T6GH-P0203225	1 1/4"	32	63.5	22	4.3
T4GH-P0203230	T6GH-P0203230	1 1/4"	32	76.2	22	4.3
T4GH-P0203240	T6GH-P0203240	1 1/4"	32	101.6	22	4.3
T4GH-P0203260	T6GH-P0203260	1 1/4"	32	152.4	22	4.3
T4GH-P0204015	T6GH-P0204015	1 1/2"	40	38.1	22	4.5
T4GH-P0204020	T6GH-P0204020	1 1/2"	40	50.8	22	4.5
T4GH-P0204025	T6GH-P0204025	1 1/2"	40	63.5	22	4.5
T4GH-P0204030	T6GH-P0204030	1 1/2"	40	76.2	22	4.5
T4GH-P0204040	T6GH-P0204040	1 1/2"	40	101.6	22	4.5

### Welding Nipple (SCH80)



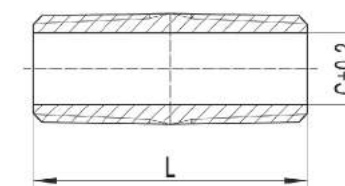
Item No.(304)	Item No.(316)	Inch	DN	L	A	E
T4GH-P0204060	T6GH-P0204060	1 1/2"	40	152.4	22	4.5
T4GH-P0205020	T6GH-P0205020	2"	50	50.8	26	5
T4GH-P0205025	T6GH-P0205025	2"	50	63.5	26	5
T4GH-P0205030	T6GH-P0205030	2"	50	76.2	26	5
T4GH-P0205040	T6GH-P0205040	2"	50	101.6	26	5
T4GH-P0205060	T6GH-P0205060	2"	50	152.4	26	5
T4GH-P0206525	T6GH-P0206525	2 1/2"	65	63.5	32	6.3
T4GH-P0206530	T6GH-P0206530	2 1/2"	65	76.2	32	6.3
T4GH-P0206540	T6GH-P0206540	2 1/2"	65	101.6	32	6.3
T4GH-P0206560	T6GH-P0206560	2 1/2"	65	152.4	32	6.3
T4GH-P0208030	T6GH-P0208030	3"	80	76.2	34	6.8
T4GH-P0208040	T6GH-P0208040	3"	80	101.6	34	6.8
T4GH-P0208060	T6GH-P0208060	3"	80	152.4	34	6.8
T4GH-P0210025	T6GH-P0210025	4"	100	63.5	40	7.6
T4GH-P0210030	T6GH-P0210030	4"	100	76.2	40	7.6
T4GH-P0210040	T6GH-P0210040	4"	100	101.6	40	7.6
T4GH-P0210060	T6GH-P0210060	4"	100	152.4	40	7.6

### Parallel Nipple (SCH40)



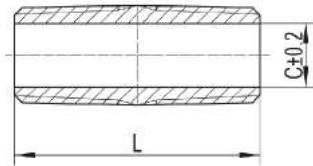
Item No.(304)	Item No.(316)	Inch	DN	L	C
T4GM-P03006	T6GM-P03006	1/8"	6	16	6.84
T4GM-P03008	T6GM-P03008	1/4"	8	18	9.72
T4GM-P03010	T6GM-P03010	3/8"	10	22	12.95
T4GM-P03015	T6GM-P03015	1/2"	15	25	16.34
T4GM-P03020	T6GM-P03020	3/4"	20	30	21.67
T4GM-P03025	T6GM-P03025	1"	25	35	27.4
T4GM-P03032	T6GM-P03032	1 1/4"	32	38	35.76
T4GM-P03040	T6GM-P03040	1 1/2"	40	38	41.66
T4GM-P03050	T6GM-P03050	2"	50	45	53.33
T4GM-P03065	T6GM-P03065	2 1/2"	65	55	67.1
T4GM-P03080	T6GM-P03080	3"	80	60	78.9
T4GM-P03100	T6GM-P03100	4"	100	70	103.3

### Parallel Nipple (SCH80)



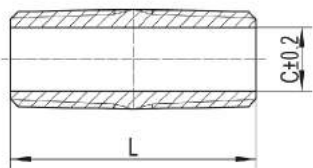
Item No.(304)	Item No.(316)	Inch	DN	L	C
T4GH-P03006	T6GH-P03006	1/8"	6	16	5.9
T4GH-P03008	T6GH-P03008	1/4"	8	18	8.32
T4GH-P03010	T6GH-P03010	3/8"	10	22	11.35
T4GH-P03015	T6GH-P03015	1/2"	15	25	14.74
T4GH-P03020	T6GH-P03020	3/4"	20	30	19.67
T4GH-P03025	T6GH-P03025	1"	25	35	25.2
T4GH-P03032	T6GH-P03032	1 1/4"	32	38	33.56
T4GH-P03040	T6GH-P03040	1 1/2"	40	38	39.26
T4GH-P03050	T6GH-P03050	2"	50	45	50.33
T4GH-P03065	T6GH-P03065	2 1/2"	65	55	60.43
T4GH-P03080	T6GH-P03080	3"	80	60	75.3
T4GH-P03100	T6GH-P03100	4"	100	70	99.1

### Close Nipple (SCH40)



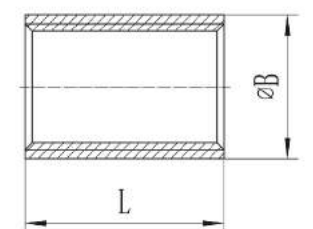
Item No.(304)	Item No.(316)	Inch	DN	L	C
T4GM-P03006C	T6GM-P03006C	1/8"	6	19	6.85
T4GM-P03008C	T6GM-P03008C	1/4"	8	22.5	9.7
T4GM-P03010C	T6GM-P03010C	3/8"	10	25.5	12.95
T4GM-P03015C	T6GM-P03015C	1/2"	15	29	16.34
T4GM-P03020C	T6GM-P03020C	3/4"	20	35	21.67
T4GM-P03025C	T6GM-P03025C	1"	25	38.5	27.4
T4GM-P03032C	T6GM-P03032C	1 1/4"	32	41.5	35.76
T4GM-P03040C	T6GM-P03040C	1 1/2"	40	44.5	41.66
T4GM-P03050C	T6GM-P03050C	2"	50	51	53.55
T4GM-P03065C	T6GM-P03065C	2 1/2"	65	63.5	67.1
T4GM-P03080C	T6GM-P03080C	3"	80	67	78.9
T4GM-P03100C	T6GM-P03100C	4"	100	73.5	103.3

### Close Nipple (SCH80)



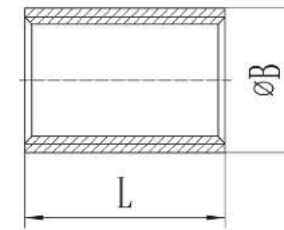
Item No.(304)	Item No.(316)	Inch	DN	L	C
T4GH-P03006C	T6GH-P03006C	1/8"	6	19	5.9
T4GH-P03008C	T6GH-P03008C	1/4"	8	22.5	8.32
T4GH-P03010C	T6GH-P03010C	3/8"	10	25.5	11.35
T4GH-P03015C	T6GH-P03015C	1/2"	15	29	14.74
T4GH-P03020C	T6GH-P03020C	3/4"	20	35	19.67
T4GH-P03025C	T6GH-P03025C	1"	25	38.5	25.2
T4GH-P03032C	T6GH-P03032C	1 1/4"	32	41.5	33.56
T4GH-P03040C	T6GH-P03040C	1 1/2"	40	44.5	39.26
T4GH-P03050C	T6GH-P03050C	2"	50	51	50.33
T4GH-P03065C	T6GH-P03065C	2 1/2"	65	63.5	60.43
T4GH-P03080C	T6GH-P03080C	3"	80	67	75.3
T4GH-P03100C	T6GH-P03100C	4"	100	73.5	99.1

### Socket (ISO4144)



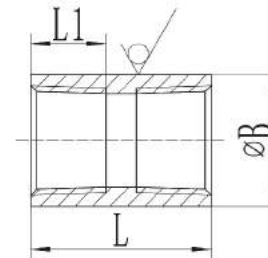
Item No.(304)	Item No.(316)	Inch	DN	L	B
T4GS-P04006	T6GS-P04006	1/8"	6	17	13
T4GS-P04008	T6GS-P04008	1/4"	8	24	16.5
T4GS-P04010	T6GS-P04010	3/8"	10	25	20
T4GS-P04015	T6GS-P04015	1/2"	15	32	24.5
T4GS-P04020	T6GS-P04020	3/4"	20	35	30
T4GS-P04025	T6GS-P04025	1"	25	41	37
T4GS-P04032	T6GS-P04032	1 1/4"	32	45	46.5
T4GS-P04040	T6GS-P04040	1 1/2"	40	45	53
T4GS-P04050	T6GS-P04050	2"	50	54	65
T4GS-P04065	T6GS-P04065	2 1/2"	65	63	81.5
T4GS-P04080	T6GS-P04080	3"	80	69	95
T4GS-P04100	T6GS-P04100	4"	100	81	121.5

### Socket (DIN2986)



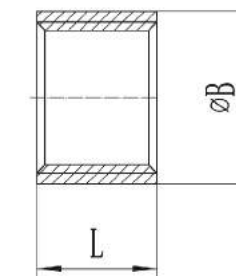
Item No.(304)	Item No.(316)	Inch	DN	L	B
T4GM-P04006	T6GM-P04006	1/8"	6	17	15
T4GM-P04008	T6GM-P04008	1/4"	8	25	18.5
T4GM-P04010	T6GM-P04010	3/8"	10	26	21.3
T4GM-P04015	T6GM-P04015	1/2"	15	34	26.6
T4GM-P04020	T6GM-P04020	3/4"	20	36	31.8
T4GM-P04025	T6GM-P04025	1"	25	43	39.5
T4GM-P04032	T6GM-P04032	1 1/4"	32	48	48.3
T4GM-P04040	T6GM-P04040	1 1/2"	40	48	54.5
T4GM-P04050	T6GM-P04050	2"	50	56	66.2
T4GM-P04065	T6GM-P04065	2 1/2"	65	65	82
T4GM-P04080	T6GM-P04080	3"	80	71	95
T4GM-P04100	T6GM-P04100	4"	100	83	121.4

### Socket (Heavy)



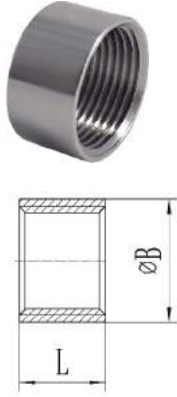
Item No.(304)	Item No.(316)	Inch	DN	L	B	L1
T4GH-P04006	T6GH-P04006	1/8"	6	25.4	14	8
T4GH-P04008	T6GH-P04008	1/4"	8	25.4	18.5	10
T4GH-P04010	T6GH-P04010	3/8"	10	28.5	21.5	11
T4GH-P04015	T6GH-P04015	1/2"	15	35.1	26.6	14.5
T4GH-P04020	T6GH-P04020	3/4"	20	38.1	31.8	15
T4GH-P04025	T6GH-P04025	1"	25	41.2	39.5	17
T4GH-P04032	T6GH-P04032	1 1/4"	32	50.8	48.5	21
T4GH-P04040	T6GH-P04040	1 1/2"	40	53.9	55	21
T4GH-P04050	T6GH-P04050	2"	50	63.5	66.6	24
T4GH-P04065	T6GH-P04065	2 1/2"	65	72.9	84.5	30
T4GH-P04080	T6GH-P04080	3"	80	80.8	100.5	31
T4GH-P04100	T6GH-P04100	4"	100	93.5	129.5	36

### Half Socket (ISO4144)



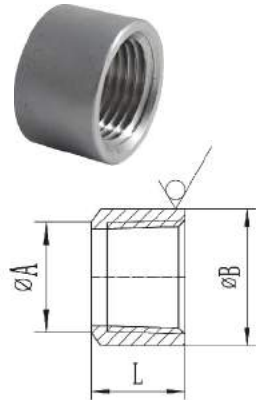
Item No.(304)	Item No.(316)	Inch	DN	L	B
T4GS-P05006	T6GS-P05006	1/8"	6	7.5	13
T4GS-P05008	T6GS-P05008	1/4"	8	11	16.5
T4GS-P05010	T6GS-P05010	3/8"	10	11.5	20
T4GS-P05015	T6GS-P05015	1/2"	15	15	24.5
T4GS-P05020	T6GS-P05020	3/4"	20	16.5	30
T4GS-P05025	T6GS-P05025	1"	25	19.5	37
T4GS-P05032	T6GS-P05032	1 1/4"	32	21.5	46.5
T4GS-P05040	T6GS-P05040	1 1/2"	40	21.5	53
T4GS-P05050	T6GS-P05050	2"	50	26	65
T4GS-P05065	T6GS-P05065	2 1/2"	65	30.5	81.5
T4GS-P05080	T6GS-P05080	3"	80	33.5	95
T4GS-P05100	T6GS-P05100	4"	100	39.5	121.5

### Half Socket (DIN2986)



Item No.(304)	Item No.(316)	Inch	DN	L	B
T4GM-P05006	T6GM-P05006	1/8"	6	8	15
T4GM-P05008	T6GM-P05008	1/4"	8	11	18.5
T4GM-P05010	T6GM-P05010	3/8"	10	12	21.3
T4GM-P05015	T6GM-P05015	1/2"	15	15	26.6
T4GM-P05020	T6GM-P05020	3/4"	20	16	31.8
T4GM-P05025	T6GM-P05025	1"	25	20	39.5
T4GM-P05032	T6GM-P05032	1 1/4"	32	22	48.3
T4GM-P05040	T6GM-P05040	1 1/2"	40	22	54.5
T4GM-P05050	T6GM-P05050	2"	50	26	66.2
T4GM-P05065	T6GM-P05065	2 1/2"	65	30	82
T4GM-P05080	T6GM-P05080	3"	80	33	95
T4GM-P05100	T6GM-P05100	4"	100	39	121.4

### Half Socket (Heavy)



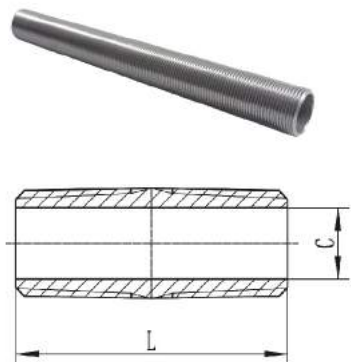
Item No.(304)	Item No.(316)	Inch	DN	L	B	A
T4GH-P05006	T6GH-P05006	1/8"	6	12.7	14	11.5
T4GH-P05008	T6GH-P05008	1/4"	8	12.7	18.5	15.5
T4GH-P05010	T6GH-P05010	3/8"	10	14.3	21.5	19
T4GH-P05015	T6GH-P05015	1/2"	15	17.6	26.6	23
T4GH-P05020	T6GH-P05020	3/4"	20	19.1	31.8	28
T4GH-P05025	T6GH-P05025	1"	25	20.6	39.5	35.5
T4GH-P05032	T6GH-P05032	1 1/4"	32	25.4	48.5	44
T4GH-P05040	T6GH-P05040	1 1/2"	40	27	55	50.5
T4GH-P05050	T6GH-P05050	2"	50	31.8	66.6	61
T4GH-P05065	T6GH-P05065	2 1/2"	65	36.5	84.5	76
T4GH-P05080	T6GH-P05080	3"	80	40.4	100.5	91.5
T4GH-P05100	T6GH-P05100	4"	100	46.8	129.5	120

### Hose Joiner



Item No.(304)	Item No.(316)	Inch	DN	A	L	E	D	L1	L2
T4GM-F06008	T6GM-F06008	1/4"	8	8.4	50	2	9.5	4.8	20
T4GM-F06010	T6GM-F06010	3/8"	10	11	50	1.75	11.5	4.8	20
T4GM-F06015	T6GM-F06015	1/2"	15	13	60	2	13.72	4.8	28
T4GM-F06020	T6GM-F06020	3/4"	20	20	70	2.5	21.34	4.8	33
T4GM-F06025	T6GM-F06025	1"	25	25.5	90	2.5	26.67	6.4	40
T4GM-F06032	T6GM-F06032	1 1/4"	32	32.5	90	3	33.4	6.4	40
T4GM-F06040	T6GM-F06040	1 1/2"	40	38.9	100	6	39.5	6.4	47
T4GM-F06050	T6GM-F06050	2"	50	51.6	100	4.8	54	6.4	47

### All Thread



Item No.(304)	Item No.(316)	Inch	DN	L	C
T4GM-F0201506	T6GM-F0201506	1/2"	15	152.4	16.34
T4GM-F0202006	T6GM-F0202006	3/4"	20	152.4	21.67
T4GM-F0202506	T6GM-F0202506	1"	25	152.4	27.4
T4GM-F0203206	T6GM-F0203206	1 1/4"	32	152.4	35.76
T4GM-F0204006	T6GM-F0204006	1 1/2"	40	152.4	41.66
T4GM-F0205006	T6GM-F0205006	2"	50	152.4	53.33
T4GM-F0201512	T6GM-F0201512	1/2"	15	304.8	16.34
T4GM-F0202012	T6GM-F0202012	3/4"	20	304.8	21.67
T4GM-F0202512	T6GM-F0202512	1"	25	304.8	27.4
T4GM-F0203212	T6GM-F0203212	1 1/4"	32	304.8	35.76
T4GM-F0204012	T6GM-F0204012	1 1/2"	40	304.8	41.66
T4GM-F0205012	T6GM-F0205012	2"	50	304.8	53.33

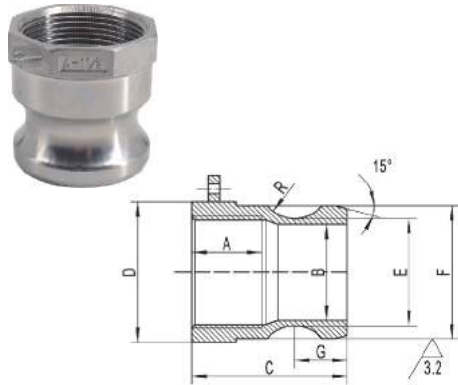
# SS&AL&PP Camlock Fittings



Camlock fittings are also known as cam and groove fittings or camlock couplings, including stainless steel, aluminum, polypropylene, and brass materials. Grande-Tek can supply them from sizes 1/2" to 6" except for brass material. Camlock fittings have commonly used when connecting or disconnecting pipes, tubing, or hose. When selecting the proper camlock fittings, it is crucial to be mindful of the chemical compatibility of the fluid and process temperature.

	Body	Ear	Pin	Ring	Gasket
SS Camlock Fittings	CF8M	304	304	304	NBR
AL Camlock Fittings	ADC12	301	Galvanized Rron	Galvanized Rron	NBR
PP Camlock Fittings	PP	301	Galvanized Rron	Galvanized Rron	NBR

### Stainless Steel TYPE A



Item No.(316)	Inch	DN	A	B	C	D	E	F	G
C6GS-QCA015	1/2"	15	13	16.6	31.8	26.5	18.3	23.6	11.9
C6GS-QCA020	3/4"	20	15	22	36.5	32	26.2	32	11.9
C6GS-QCA025	1"	25	18	26	42	38	29	36.6	14.2
C6GS-QCA032	1 1/4"	32	18	30.7	51	47.2	35.2	45.5	17.4
C6GS-QCA040	1 1/2"	40	19	38.4	53.5	54	42.9	53.4	17.4
C6GS-QCA050	2"	50	24	47.5	58.5	65	52.4	63	21.5
C6GS-QCA065	2 1/2"	65	27	60	72	79.5	64.6	75.7	21.5
C6GS-QCA080	3"	80	28	76.5	68	94.3	81.3	91.5	22.7
C6GS-QCA100	4"	100	31	103.5	69	122	109.3	119.5	22.7
C6GS-QCA150	6"	150	42	152.4	79.5	176	161.5	176	24.4

### Aluminium TYPE A



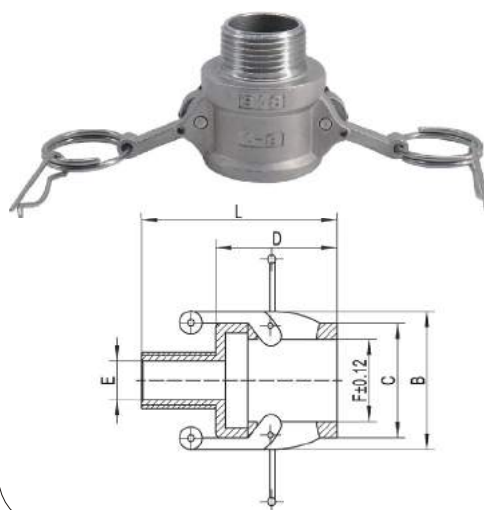
Item No.(AL)	Inch	DN	B	C	D	E	F	G
GA-QCA020	3/4"	20	21.6	40.9	32	26	32	11.9
GA-QCA025	1"	25	23.9	51.5	38	28.8	36.5	14.2
GA-QCA032	1 1/4"	32	29	54.6	48.2	35	45.5	17.4
GA-QCA040	1 1/2"	40	37.9	55.9	55.5	42.9	53.4	17.4
GA-QCA050	2"	50	46.5	58.9	65.7	52.4	63	21.5
GA-QCA065	2 1/2"	65	57.9	80	81.8	64.6	75.7	21.5
GA-QCA080	3"	80	74.4	71.1	95.7	81.3	91.5	22.7
GA-QCA100	4"	100	101.1	73.9	122.1	109.3	119.5	22.7

### Polypropylene TYPE A



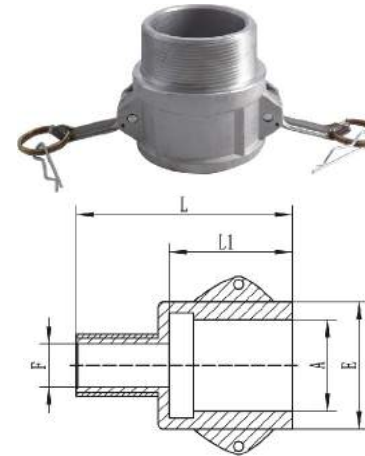
Item No.(PP)	Inch	DN	A	C	L1	L2
GP-QCA015	1/2"	15	14.2	24.3	29.5	20
GP-QCA020015	3/4" x 1/2"	20x15	21.5	32	26.5	20
GP-QCA020	3/4"	20	21.5	32	26.5	20
GP-QCA025	1"	25	23.5	36.5	34	22
GP-QCA032	1 1/4"	32	28	45.5	40	22
GP-QCA040	1 1/2"	40	36	53.4	42.5	24
GP-QCA050	2"	50	44	63	48.5	28.5
GP-QCA065	2 1/2"	65	54	75.7	50	30
GP-QCA080	3"	80	73	91.5	52.5	32
GP-QCA100	4"	100	93.5	119.5	55	37

### Stainless Steel TYPE B



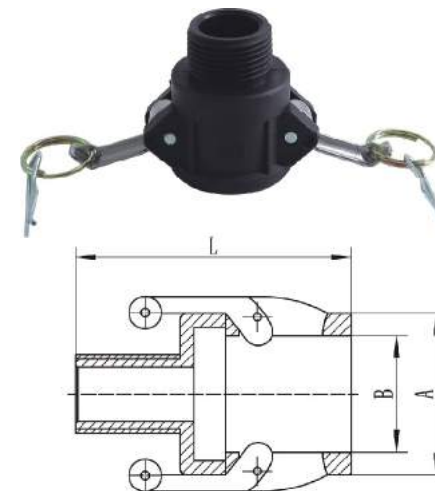
Item No.(316)	Inch	DN	B	C	D	E	L	F
C6GS-QCB015	1/2"	15	45.2	31.6	29	15.5	43	25.1
C6GS-QCB020	3/4"	20	51	40.5	29.5	19.8	45	32.4
C6GS-QCB025	1"	25	59	46.3	37	25	56.5	37.4
C6GS-QCB032	1 1/4"	32	71	56	44	31	66	46
C6GS-QCB040	1 1/2"	40	79	63	43.5	39.5	67	54
C6GS-QCB050	2"	50	89	74.5	51	50.5	75.2	63.5
C6GS-QCB065	2 1/2"	65	102	88	53	65	83	76.5
C6GS-QCB080	3"	80	124	104.7	57	78.5	90	92.3
C6GS-QCB100	4"	100	149	134	57	102	96	120.3
C6GS-QCB150	6"	150	-	195	67	143	107	176.6

### Aluminium TYPE B



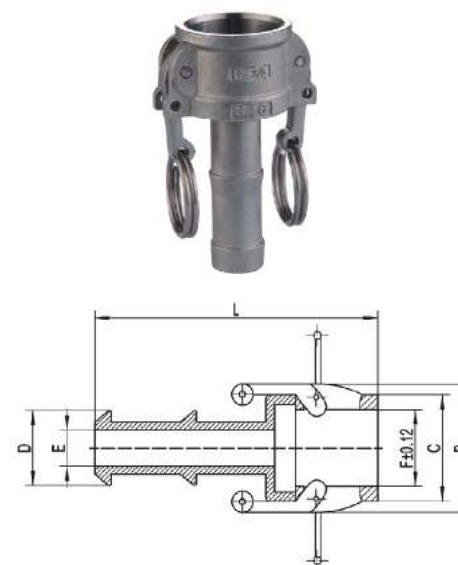
Item No.(AL)	Inch	DN	A	E	F	L1	L
GA-QCB020	3/4"	20	32.5	41.4	18	29.5	52.3
GA-QCB025	1"	25	37.3	46.7	24.9	36	58.9
GA-QCB032	1 1/4"	32	46.1	55.9	32	41.4	65.5
GA-QCB040	1 1/2"	40	54.1	66	38.6	41.9	69.6
GA-QCB050	2"	50	64	75.9	49	48	77
GA-QCB065	2 1/2"	65	76.6	88.9	59.9	50.3	84.6
GA-QCB080	3"	80	92.2	106.9	77	53.1	89.4
GA-QCB100	4"	100	120.3	135.1	100	54.1	91.9

### Polypropylene TYPE B



Item No.(PP)	Inch	DN	A	B	L
GP-QCB015	1/2"	15	34.6	25.1	53
GP-QCB020015	3/4" x 1/2"	20x15	41.5	32.5	54.7
GP-QCB020	3/4"	20	41.5	32.5	54.7
GP-QCB025	1"	25	49	37.3	61
GP-QCB032	1 1/4"	32	58.4	46	65.5
GP-QCB040	1 1/2"	40	67	54	73
GP-QCB050	2"	50	82	64	84
GP-QCB065	2 1/2"	65	94.5	76.5	85.5
GP-QCB080	3"	80	110	92.3	90
GP-QCB100	4"	100	144	120	95

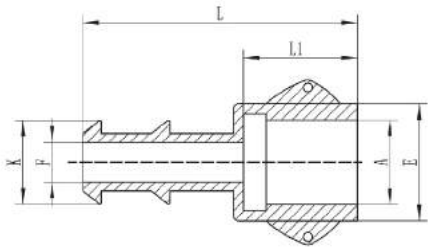
### Stainless Steel TYPE C



Item No.(316)	Inch	DN	B	C	D	E	L	F
C6GS-QCC015	1/2"	15	45	31.6	13.5	9.7	70.7	25
C6GS-QCC020	3/4"	20	51	40	19.5	14.4	89	32.4
C6GS-QCC025	1"	25	59	46	26	20	100	37.4
C6GS-QCC032	1 1/4"	32	71	56	32.3	26.8	113.2	46
C6GS-QCC040	1 1/2"	40	79	64	39	32.5	115	54
C6GS-QCC050	2"	50	89	73.5	53	44	129	63.5
C6GS-QCC065	2 1/2"	65	102	87	64	57	148.5	76.5
C6GS-QCC080	3"	80	123	104.5	78.7	69.5	157.5	92.3
C6GS-QCC100	4"	100	150.5	134	105.3	96	168.5	120.3
C6GS-QCC150	6"	150	-	195	155	141	196	176.6

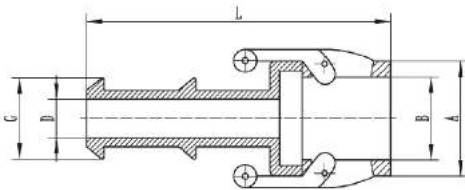


### Aluminium TYPE C



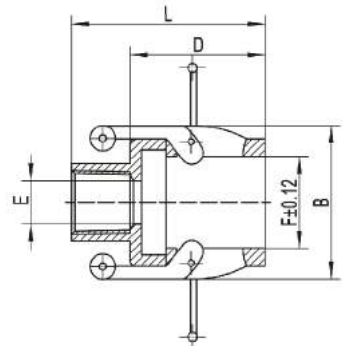
Item No.(AL)	Inch	DN	A	E	F	K	L1	L
GA-QCC020	3/4"	20	32.5	41.4	14	21.6	29.5	81
GA-QCC025	1"	25	37.3	46.7	19.6	27.4	36	95
GA-QCC032	1 1/4"	32	46.1	55.9	25.4	34	41.4	102.6
GA-QCC040	1 1/2"	40	54.1	66	30.7	39.6	41.9	116.6
GA-QCC050	2"	50	64	75.9	42.9	52.3	48	134.6
GA-QCC065	2 1/2"	65	76.6	88.9	59.9	66.5	50.3	142.5
GA-QCC080	3"	80	92.2	106.9	66.3	77.7	53.1	159
GA-QCC100	4"	100	120.3	135.1	91.7	103.1	54.1	162.6

### Polypropylene TYPE C



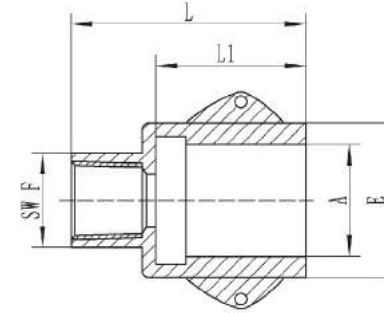
Item No.(PP)	Inch	DN	A	B	D	G	L
GP-QCC015	1/2"	15	34.6	25.1	8	15	77.5
GP-QCC020015	3/4" x 1/2"	20x15	41.5	32.5	8	15	79
GP-QCC020	3/4"	20	41.5	32.5	14.1	21.5	86.5
GP-QCC025	1"	25	49	37.3	19	27.4	98.5
GP-QCC032	1 1/4"	32	58.4	46	25.3	34.1	103
GP-QCC040	1 1/2"	40	67	54	30.5	40.5	111
GP-QCC050	2"	50	82	64	41.5	53.2	126
GP-QCC065	2 1/2"	65	94.5	76.5	53	66	136
GP-QCC080	3"	80	110	92.3	64.5	79.4	149
GP-QCC100	4"	100	144	120	85	103.2	170

### Stainless Steel TYPE D



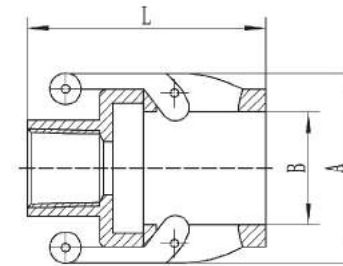
Item No.(PP)	Inch	DN	B	D	E	L	F
C6GS-QCD015	1/2"	15	45	28.3	16	41.3	25.1
C6GS-QCD020	3/4"	20	51	29.5	19.5	42.5	32.4
C6GS-QCD025	1"	25	59	37	26	53	37.4
C6GS-QCD032	1 1/4"	32	71	43.5	36	64	46
C6GS-QCD040	1 1/2"	40	79	44	40	63	54
C6GS-QCD050	2"	50	89	51	49	75	63.5
C6GS-QCD065	2 1/2"	65	103.5	53	59	81	76.5
C6GS-QCD080	3"	80	122	55	71	85.5	92.3
C6GS-QCD100	4"	100	151	57	102	90	120.3
C6GS-QCD150	6"	150	195	67	176.5	110	176.6

### Aluminium TYPE D



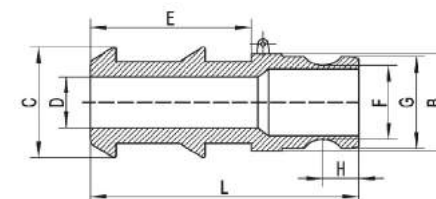
Item No.(AL)	Inch	DN	A	E	F	L1	L
GA-QCD020	3/4"	20	32.5	41.4	32.5	29.5	52.3
GA-QCD025	1"	25	37.3	46.5	38.6	36	58.9
GA-QCD032	1 1/4"	32	46.1	55.9	48.5	41.4	65.5
GA-QCD040	1 1/2"	40	54.1	66	55.9	41.9	69.6
GA-QCD050	2"	50	64	75.9	66	48	75.9
GA-QCD065	2 1/2"	65	76.6	88.9	81.3	50	84.6
GA-QCD080	3"	80	92.2	106.9	96	53.1	89.4
GA-QCD100	4"	100	120.3	134.9	122.4	54.1	91.9

### Polypropylene TYPE D



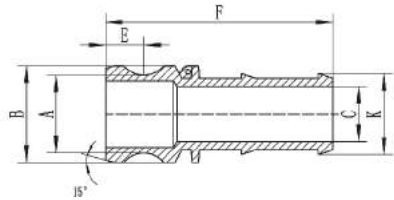
Item No.(PP)	Inch	DN	A	B	L
GP-QCD015	1/2"	15	34.6	25.1	52.5
GP-QCD020015	3/4" x 1/2"	20x15	41.5	32.5	54.5
GP-QCD020	3/4"	20	41.5	32.5	54.5
GP-QCD025	1"	25	49	37.3	61
GP-QCD032	1 1/4"	32	58.4	46	70.5
GP-QCD040	1 1/2"	40	67	54	74
GP-QCD050	2"	50	82	64	84
GP-QCD065	2 1/2"	65	94.5	76.5	85.5
GP-QCD080	3"	80	110	92.3	91
GP-QCD100	4"	100	144	120	95

### Stainless Steel TYPE E



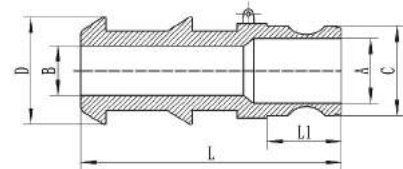
Item No.(316)	Inch	DN	B	C	D	E	L	F	G	H
C6GS-QCE015	1/2"	15	25.5	13.2	9.7	42	70	18.3	23.6	11.9
C6GS-QCE020	3/4"	20	32.8	19.8	14	53.5	93	26.2	32	11.9
C6GS-QCE025	1"	25	37	26	20	63	103	29	36.6	14.2
C6GS-QCE032	1 1/4"	32	46.5	33	27	68	114	35.2	45.5	17.4
C6GS-QCE040	1 1/2"	40	54	39	32	69.5	118	42.9	53.4	17.4
C6GS-QCE050	2"	50	64	52.2	44	80.5	133.5	52.4	63	21.5
C6GS-QCE065	2 1/2"	65	77	66	57	89.5	144.3	64.6	75.7	21.5
C6GS-QCE080	3"	80	92.5	77.6	69	101.5	161.5	81.3	91.5	22.7
C6GS-QCE100	4"	100	121.5	105.5	96.5	111	171	109.3	119.5	22.7
C6GS-QCE150	6"	150	175.8	155	141	129	248	161.5	176	24.4

### Aluminium TYPE E



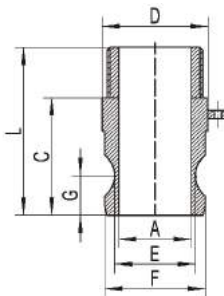
Item No.(AL)	Inch	DN	A	B	C	E	F	K
GA-QCE020	3/4"	20	26	32	14	11.9	93	21.6
GA-QCE025	1"	25	28.8	36.5	19.6	14.2	100.8	27.4
GA-QCE032	1 1/4"	32	35	45.5	25.4	17.4	109	34
GA-QCE040	1 1/2"	40	42.9	53.4	30.7	17.4	123.4	39.6
GA-QCE050	2"	50	52.4	63	42.9	21.5	142	52.3
GA-QCE065	2 1/2"	65	64.6	75.7	55.9	21.5	150.6	67.6
GA-QCE080	3"	80	81.3	91.5	66.3	22.7	166.1	77.7
GA-QCE100	4"	100	109.3	119.5	91.7	22.7	170.4	103.1

### Polypropylene TYPE E



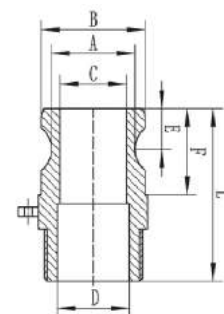
Item No.(PP)	Inch	DN	A	B	C	D	L1	L
GP-QCE015	1/2"	15	14.2	8	24.3	15	29	78
GP-QCE020015	3/4" x 1/2"	20x15	21.5	8	32	15	29	77
GP-QCE020	3/4"	20	21.5	14.1	32	21.5	29	82
GP-QCE025	1"	25	23.5	19	36.5	27.4	34	96
GP-QCE032	1 1/4"	32	28	25.3	45.5	34.1	40	110
GP-QCE040	1 1/2"	40	36	30.5	53.4	40.5	42.5	108.5
GP-QCE050	2"	50	44	41.5	63	53.2	48.5	125
GP-QCE065	2 1/2"	65	54	53	75.7	66	50	137
GP-QCE080	3"	80	73	64.5	91.5	79.4	52	150
GP-QCE100	4"	100	93.5	88	119.5	103.2	55	176

### Stainless Steel TYPE F



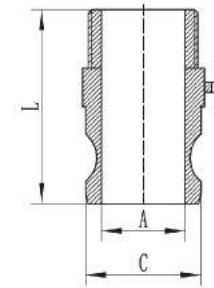
Item No.(316)	Inch	DN	A	C	D	L	E	F	G
C6GS-QCF015	1/2"	15	16.5	31.6	26.3	46.2	18.3	23.6	11.9
C6GS-QCF020	3/4"	20	22	36	32	51.7	26.2	32	11.9
C6GS-QCF025	1"	25	25.2	41.5	36.7	59.5	29	36.6	14.2
C6GS-QCF032	1 1/4"	32	30	50.5	46.2	72	35.2	45.5	17.4
C6GS-QCF040	1 1/2"	40	38	52.5	53	74	42.9	53.4	17.4
C6GS-QCF050	2"	50	48.5	57.5	64	82.5	52.4	63	21.5
C6GS-QCF065	2 1/2"	65	60	58.7	77.5	88	64.6	75.7	21.5
C6GS-QCF080	3"	80	76.5	69	92.5	99.5	81.3	91.5	22.7
C6GS-QCF100	4"	100	104.5	67	121	105	109.3	119.5	22.7
C6GS-QCF150	6"	150	152.4	78	176	122	161.5	176	24.4

### Aluminium TYPE F



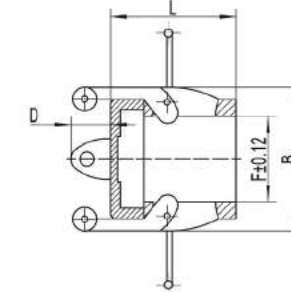
Item No.(AL)	Inch	DN	A	B	C	D	E	F	L
GA-QCF020	3/4"	20	26	32	21.6	18	11.9	25.9	55.1
GA-QCF025	1"	25	28.8	36.5	23.9	24.9	14.2	34.8	67.8
GA-QCF032	1 1/4"	32	35	45.5	29	32	17.4	40.1	78
GA-QCF040	1 1/2"	40	42.9	53.4	37.8	38.6	17.4	41.1	75.9
GA-QCF050	2"	50	52.4	63	47.5	49	21.5	46	83.6
GA-QCF065	2 1/2"	65	64.6	75.7	57.9	66	21.5	50	97
GA-QCF080	3"	80	81.3	91.5	74.4	77	22.7	51	99.6
GA-QCF100	4"	100	109.3	119.5	101.1	100.1	22.7	53.8	105.9

### Polypropylene TYPE F



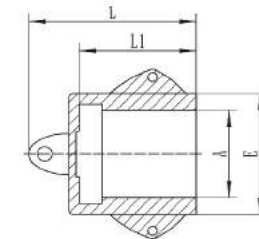
Item No.(PP)	Inch	DN	A	C	L
GP-QCF015	1/2"	15	14.2	24.3	57
GP-QCF020015	3/4" x 1/2"	20x15	21.5	32	58
GP-QCF020	3/4"	20	21.5	32	58
GP-QCF025	1"	25	23.5	36.5	66
GP-QCF032	1 1/4"	32	28	45.5	80
GP-QCF040	1 1/2"	40	36	53.4	78
GP-QCF050	2"	50	44	63	91
GP-QCF065	2 1/2"	65	54	75.7	100
GP-QCF080	3"	80	73	91.5	99
GP-QCF100	4"	100	93.5	119.5	108

### Stainless Steel TYPE DC



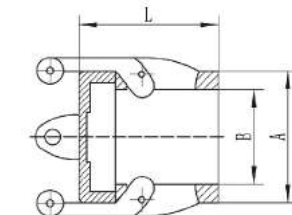
Item No.(316)	Inch	DN	B	D	L	F
C6GS-QCDC015	1/2"	15	45.2	6.5	30.5	25
C6GS-QCDC020	3/4"	20	51	10.5	32	32.4
C6GS-QCDC025	1"	25	59.3	10.8	40	37.4
C6GS-QCDC032	1 1/4"	32	70	12	45	46
C6GS-QCDC040	1 1/2"	40	78	12.8	46	54
C6GS-QCDC050	2"	50	89	12	53	63.5
C6GS-QCDC065	2 1/2"	65	101.5	14.5	54	76.5
C6GS-QCDC080	3"	80	122.5	16	61	92.3
C6GS-QCDC100	4"	100	150	16	59	120.3
C6GS-QCDC150	6"	150	215	16	73	176.6

### Aluminium TYPE DC



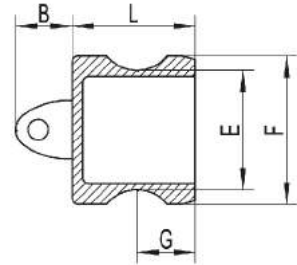
Item No.(AL)	Inch	DN	A	E	L1	L
GA-QCDC020	3/4"	20	32.5	41.4	29.5	45.7
GA-QCDC025	1"	25	37.3	46.5	36	57.4
GA-QCDC032	1 1/4"	32	46.1	55.9	41.4	63
GA-QCDC040	1 1/2"	40	54.1	66	41.9	62
GA-QCDC050	2"	50	64	75.9	48	69.1
GA-QCDC065	2 1/2"	65	76.6	88.9	50.3	72.9
GA-QCDC080	3"	80	92.2	106.9	53.1	76.5
GA-QCDC100	4"	100	120.3	134.9	54.1	78

### Polypropylene TYPE DC



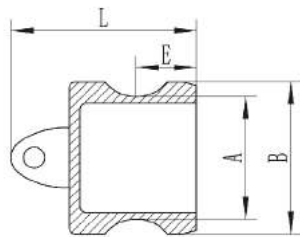
Item No.(PP)	Inch	DN	A	B	L
GP-QCDC015	1/2"	15	34.6	25.1	34
GP-QCDC020	3/4"	20	41.5	32.5	35
GP-QCDC025	1"	25	49	37.3	41
GP-QCDC032	1 1/4"	32	58.4	46	46
GP-QCDC040	1 1/2"	40	67	54	50
GP-QCDC050	2"	50	82	64	55.5
GP-QCDC065	2 1/2"	65	94.5	76.5	57.5
GP-QCDC080	3"	80	110	92.3	59
GP-QCDC100	4"	100	144	120	61

### Stainless Steel TYPE DP



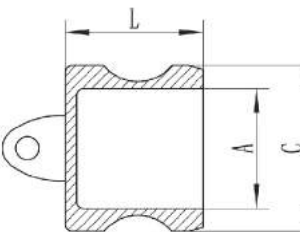
Item No.(316)	Inch	DN	B	L	E	F	G
C6GS-QCDP015	1/2"	15	6.5	25.5	18.3	23.6	11.9
C6GS-QCDP020	3/4"	20	10.5	25.5	26.2	32	11.9
C6GS-QCDP025	1"	25	10.5	31	29	36.6	14.2
C6GS-QCDP032	1 1/4"	32	11.5	39	35.2	45.5	17.4
C6GS-QCDP040	1 1/2"	40	11.3	42	42.9	53.4	17.4
C6GS-QCDP050	2"	50	13.5	46	52.4	63	21.5
C6GS-QCDP065	2 1/2"	65	14.5	48	64.6	75.7	21.5
C6GS-QCDP080	3"	80	13.5	50	81.3	91.5	22.7
C6GS-QCDP100	4"	100	14.5	53	109.3	119.5	22.7
C6GS-QCDP150	6"	150	16	65	161.5	176	24.4

### Aluminium TYPE DP



Item No.(AL)	Inch	DN	A	B	E	L
GA-QCDP020	3/4"	20	26	32	11.9	38.1
GA-QCDP025	1"	25	28.8	36.5	14.2	52.3
GA-QCDP032	1 1/4"	32	35	45.5	17.4	57.4
GA-QCDP040	1 1/2"	40	42.9	53.4	17.4	56.9
GA-QCDP050	2"	50	52.4	63	21.5	63.5
GA-QCDP065	2 1/2"	65	64.6	75.7	21.5	67.6
GA-QCDP080	3"	80	81.3	91.5	22.7	67.6
GA-QCDP100	4"	100	109.3	119.5	22.7	69.1

### Polypropylene TYPE DP



Item No.(PP)	Inch	DN	A	C	L
GP-QCDP015	1/2"	15	14.2	24.3	29
GP-QCDP020	3/4"	20	21.5	32	26
GP-QCDP025	1"	25	23.5	36.5	34
GP-QCDP032	1 1/4"	32	28	45.5	40
GP-QCDP040	1 1/2"	40	36	53.4	42.5
GP-QCDP050	2"	50	44	63	48
GP-QCDP065	2 1/2"	65	54	75.7	50.5
GP-QCDP080	3"	80	73	91.5	52
GP-QCDP100	4"	100	93.5	119.5	55.5



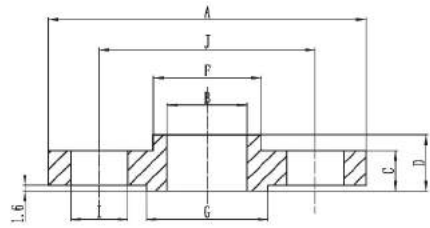
# SS Flanges

Flanges are designed to connect sections of pipes or tubes in the pipelines or to join the pipes or tubes to an assembly such as a pressure vessel, valve, or pump. Flanges are joined by bolting, and sealing is completed with gaskets and other sealing methods and fixed to the piping system by welding or threading.

A comprehensive range of flanges designed as to standards ASME B16.5, AS2129, and EN1092-1 is available at Grande-Tek. The common types of flange facings are the flat face and raised face. Stainless Steel 304 and 316 are common materials, but 304L and 316L can also be customized if required.

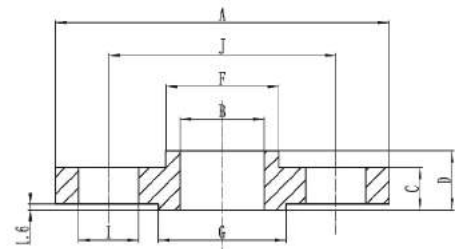
Design	ASME B16.5, AS2129, EN1092-1
Type	Slip On, Screwed, Blind
Size	DN15-DN600 (1/2"-24")
Pressure	CLASS 150/300 PN16/40
Material	304,316,304L,316L

### Flange ASME B16.5 Slip On (150)



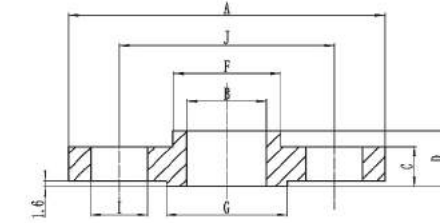
Item No.(304)	Item No.(316)	Inch	DN	A	B	C(min)	D	F	G	H	I	J
C4GS-FL05P015	C6GS-FL05P015	1/2"	15	88.9	22.2	11.2	15.7	30.2	35.1	4	16	60.45
C4GS-FL05P020	C6GS-FL05P020	3/4"	20	98.6	27.7	12.7	15.7	38.1	42.9	4	16	69.85
C4GS-FL05P025	C6GS-FL05P025	1"	25	108	34.5	14.2	17.5	49.3	50.8	4	16	79.25
C4GS-FL05P032	C6GS-FL05P032	1 1/4"	32	117.3	43.2	15.7	20.6	58.7	63.5	4	16	88.9
C4GS-FL05P040	C6GS-FL05P040	1 1/2"	40	127	49.5	17.5	22.4	65	73.15	4	16	98.55
C4GS-FL05P050	C6GS-FL05P050	2"	50	152.4	61.9	19.1	25.4	77.7	91.9	4	19	120.65
C4GS-FL05P065	C6GS-FL05P065	2 1/2"	65	177.8	74.6	22.4	28.4	90.4	104.6	4	19	139.7
C4GS-FL05P080	C6GS-FL05P080	3"	80	190.5	90.7	23.9	30.2	108	127	4	19	152.4
C4GS-FL05P100	C6GS-FL05P100	4"	100	228.6	116.1	23.9	33.3	134.9	157.2	8	19	190.5
C4GS-FL05P125	C6GS-FL05P125	5"	125	254	143.8	23.9	36.6	163.6	185.7	8	22	215.9
C4GS-FL05P150	C6GS-FL05P150	6"	150	279.4	170.7	25.4	39.6	192	215.9	8	22	241.3
C4GS-FL05P200	C6GS-FL05P200	8"	200	342.9	221.5	28.4	44.5	246.1	269.7	8	22	298.45
C4GS-FL05P250	C6GS-FL05P250	10"	250	406.4	276.2	30.2	49.3	304.8	323.9	12	25	362
C4GS-FL05P300	C6GS-FL05P300	12"	300	482.6	327	31.75	55.6	365.3	381	12	25	431.8
C4GS-FL05P350	C6GS-FL05P350	14"	350	533.4	359.2	35.1	57.15	400.1	412.7	12	28	476.25
C4GS-FL05P400	C6GS-FL05P400	16"	400	596.9	410.5	36.6	63.5	457.2	469.9	16	28	539.75
C4GS-FL05P450	C6GS-FL05P450	18"	450	635	461.8	39.6	68.3	505	533.4	16	32	577.85
C4GS-FL05P500	C6GS-FL05P500	20"	500	698.5	513.1	42.9	73.1	558.8	584.2	20	32	635
C4GS-FL05P600	C6GS-FL05P600	24"	600	812.8	616	47.8	82.6	663.4	692.2	20	35	749.3

### Flange ASME B16.5 Slip On Tube (150)



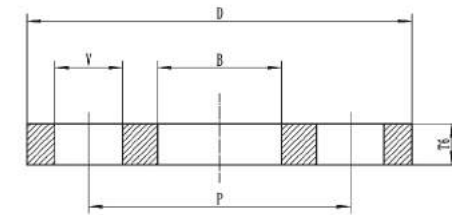
Item No.(304)	Item No.(316)	Inch	DN	A	B	C(min)	D	F	G	H	I	J
C4GS-FL05T015	C6GS-FL05T015	1/2"	15	88.9	13.2	11.2	15.7	30.2	35.1	4	16	60.45
C4GS-FL05T020	C6GS-FL05T020	3/4"	20	98.6	19.5	12.7	15.7	38.1	42.9	4	16	69.85
C4GS-FL05T025	C6GS-FL05T025	1"	25	108	25.9	14.2	17.5	49.3	50.8	4	16	79.25
C4GS-FL05T032	C6GS-FL05T032	1 1/4"	32	117.3	32.3	15.7	20.6	58.7	63.5	4	16	88.9
C4GS-FL05T040	C6GS-FL05T040	1 1/2"	40	127	39	17.5	22.4	65	73.15	4	16	98.55
C4GS-FL05T050	C6GS-FL05T050	2"	50	152.4	52.2	19.1	25.4	77.7	91.9	4	19	120.65
C4GS-FL05T065	C6GS-FL05T065	2 1/2"	65	177.8	65.1	22.4	28.4	90.4	104.6	4	19	139.7
C4GS-FL05T080	C6GS-FL05T080	3"	80	190.5	77.8	23.9	30.2	108	127	4	19	152.4
C4GS-FL05T100	C6GS-FL05T100	4"	100	228.6	103.4	23.9	33.3	134.9	157.2	8	19	190.5
C4GS-FL05T125	C6GS-FL05T125	5"	125	254	130	23.9	36.6	163.6	185.7	8	22	215.9
C4GS-FL05T150	C6GS-FL05T150	6"	150	279.4	155.4	25.4	39.6	192	215.9	8	22	241.3
C4GS-FL05T200	C6GS-FL05T200	8"	200	342.9	206.7	28.4	44.5	246.1	269.7	8	22	298.45
C4GS-FL05T250	C6GS-FL05T250	10"	250	406.4	257.5	30.2	49.3	304.8	323.9	12	25	362
C4GS-FL05T300	C6GS-FL05T300	12"	300	482.6	308.8	31.75	55.6	365.3	381	12	25	431.8

### Flange ASME B16.5 Slip On(300)



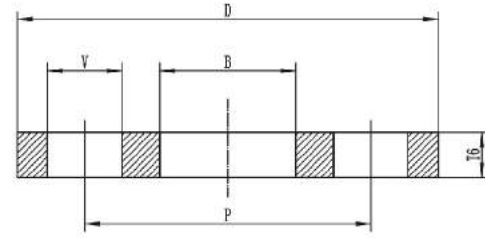
Item No.(304)	Item No.(316)	Inch	DN	A	B	C(min)	D	F	G	H	I	J
C4GS-FL11P015	C6GS-FL11P015	1/2"	15	95	22.2	12.7	22.6	38	35.1	4	15.7	66.7
C4GS-FL11P020	C6GS-FL11P020	3/4"	20	115	27.7	14.3	25.6	48	42.9	4	19.1	82.6
C4GS-FL11P025	C6GS-FL11P025	1"	25	125	34.5	15.9	26.6	54	50.8	4	19.1	88.9
C4GS-FL11P032	C6GS-FL11P032	1 1/4"	32	135	43.2	17.5	26.6	64	63.5	4	19.1	98.4
C4GS-FL11P040	C6GS-FL11P040	1 1/2"	40	155	49.5	19.1	30.6	70	73.15	4	22.4	114.3
C4GS-FL11P050	C6GS-FL11P050	2"	50	165	61.9	20.7	33.6	84	91.9	8	19.1	127
C4GS-FL11P065	C6GS-FL11P065	2 1/2"	65	190	74.6	23.9	38.6	100	104.6	8	22.4	149.2
C4GS-FL11P080	C6GS-FL11P080	3"	80	210	90.7	27	42.6	117	127	8	22.4	168.3
C4GS-FL11P100	C6GS-FL11P100	4"	100	255	116.1	30.2	47.6	146	157.2	8	22.4	200
C4GS-FL11P125	C6GS-FL11P125	5"	125	280	143.8	33.4	50.6	178	185.7	8	22.4	235
C4GS-FL11P150	C6GS-FL11P150	6"	150	320	170.7	35	52.6	206	215.9	12	22.4	269.9
C4GS-FL11P200	C6GS-FL11P200	8"	200	380	221.5	39.7	61.6	260	269.7	12	25.4	330.2
C4GS-FL11P250	C6GS-FL11P250	10"	250	445	276.2	46.1	66.6	321	323.9	16	28.4	387.4
C4GS-FL11P300	C6GS-FL11P300	12"	300	520	327	49.3	72.6	375	381	16	31.7	450.8
C4GS-FL11P350	C6GS-FL11P350	14"	350	585	359.2	52.4	76.6	425	412.7	20	31.7	514.4
C4GS-FL11P400	C6GS-FL11P400	16"	400	650	410.5	55.6	82.6	483	469.9	20	35	571.5
C4GS-FL11P450	C6GS-FL11P450	18"	450	710	461.8	58.8	88.6	533	533.4	24	35	628.6
C4GS-FL11P500	C6GS-FL11P500	20"	500	775	513.1	62	95.6	587	584.2	24	35	685.8
C4GS-FL11P600	C6GS-FL11P600	24"	600	915	616	68.3	106.6	702	692.2	24	41	812.8

### Flange AS 2129 TABLE D Slip On



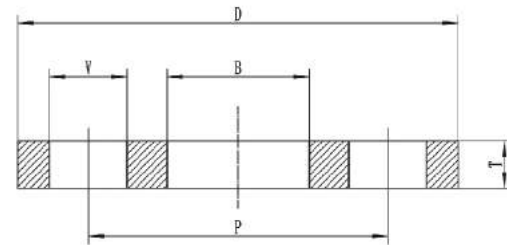
Item No.(304)	Item No.(316)	Inch	DN	B	D	P	T6	H	V
C4GS-FL13P015	C6GS-FL13P015	1/2"	15	22.2	95	67	5	4	14
C4GS-FL13P020	C6GS-FL13P020	3/4"	20	27.7	100	73	5	4	14
C4GS-FL13P025	C6GS-FL13P025	1"	25	34.5	115	83	5	4	14
C4GS-FL13P032	C6GS-FL13P032	1 1/4"	32	43.2	120	87	6	4	14
C4GS-FL13P040	C6GS-FL13P040	1 1/2"	40	49.5	135	98	6	4	14
C4GS-FL13P050	C6GS-FL13P050	2"	50	61.9	150	114	8	4	18
C4GS-FL13P065	C6GS-FL13P065	2 1/2"	65	74.6	165	127	8	4	18
C4GS-FL13P080	C6GS-FL13P080	3"	80	90.7	185	146	10	4	18
C4GS-FL13P100	C6GS-FL13P100	4"	100	116.1	215	178	10	4	18
C4GS-FL13P125	C6GS-FL13P125	5"	125	143.8	255	210	13	8	18
C4GS-FL13P150	C6GS-FL13P150	6"	150	170.7	280	235	13	8	18
C4GS-FL13P200	C6GS-FL13P200	8"	200	221.5	335	292	13	8	18
C4GS-FL13P250	C6GS-FL13P250	10"	250	276.2	405	356	16	8	22
C4GS-FL13P300	C6GS-FL13P300	12"	300	327	455	406	19	12	22
C4GS-FL13P350	C6GS-FL13P350	14"	350	359.2	525	470	22	12	26
C4GS-FL13P400	C6GS-FL13P400	16"	400	410.5	580	521	22	12	26
C4GS-FL13P450	C6GS-FL13P450	18"	450	461.8	640	584	25	12	26
C4GS-FL13P500	C6GS-FL13P500	20"	500	513.1	705	641	29	16	26
C4GS-FL13P600	C6GS-FL13P600	24"	600	616	825	756	32	16	30

### Flange AS 2129 TABLE D Slip On Tube



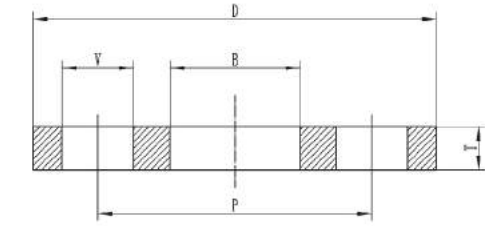
Item No.(304)	Item No.(316)	Inch	DN	B	D	P	T6	H	V
C4GS-FL13T015	C6GS-FL13T015	1/2"	15	13.2	95	67	5	4	14
C4GS-FL13T020	C6GS-FL13T020	3/4"	20	19.5	100	73	5	4	14
C4GS-FL13T025	C6GS-FL13T025	1"	25	25.9	115	83	5	4	14
C4GS-FL13T032	C6GS-FL13T032	1 1/4"	32	32.3	120	87	6	4	14
C4GS-FL13T040	C6GS-FL13T040	1 1/2"	40	39	135	98	6	4	14
C4GS-FL13T050	C6GS-FL13T050	2"	50	52.2	150	114	8	4	18
C4GS-FL13T065	C6GS-FL13T065	2 1/2"	65	65.1	165	127	8	4	18
C4GS-FL13T080	C6GS-FL13T080	3"	80	77.8	185	146	10	4	18
C4GS-FL13T100	C6GS-FL13T100	4"	100	103.4	215	178	10	4	18
C4GS-FL13T125	C6GS-FL13T125	5"	125	130	255	210	13	8	18
C4GS-FL13T150	C6GS-FL13T150	6"	150	155.4	280	235	13	8	18
C4GS-FL13T200	C6GS-FL13T200	8"	200	206.7	335	292	13	8	18
C4GS-FL13T250	C6GS-FL13T250	10"	250	257.5	405	356	16	8	22
C4GS-FL13T300	C6GS-FL13T300	12"	300	308.8	455	406	19	12	22

### Flange AS 2129 TABLE E Slip On



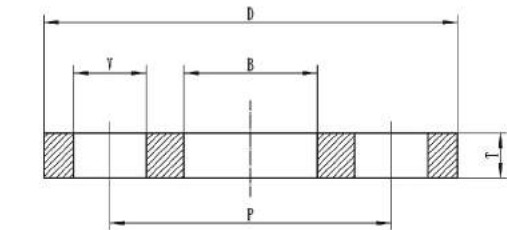
Item No.(304)	Item No.(316)	Inch	DN	B	D	P	T	H	V
C4GH-FL17P015	C6GH-FL17P015	1/2"	15	22.2	95	67	10	4	14
C4GH-FL17P020	C6GH-FL17P020	3/4"	20	27.7	100	73	10	4	14
C4GH-FL17P025	C6GH-FL17P025	1"	25	34.5	115	83	12	4	14
C4GH-FL17P032	C6GH-FL17P032	1 1/4"	32	43.2	120	87	12	4	14
C4GH-FL17P040	C6GH-FL17P040	1 1/2"	40	49.5	135	98	12	4	14
C4GH-FL17P050	C6GH-FL17P050	2"	50	61.9	150	114	12	4	18
C4GH-FL17P065	C6GH-FL17P065	2 1/2"	65	74.6	165	127	12	4	18
C4GH-FL17P080	C6GH-FL17P080	3"	80	90.7	185	146	13	4	18
C4GH-FL17P100	C6GH-FL17P100	4"	100	116.1	215	178	13	8	18
C4GH-FL17P125	C6GH-FL17P125	5"	125	143.8	255	210	14	8	18
C4GH-FL17P150	C6GH-FL17P150	6"	150	170.7	280	235	17	8	22
C4GH-FL17P200	C6GH-FL17P200	8"	200	221.5	335	292	20	8	22
C4GH-FL17P250	C6GH-FL17P250	10"	250	276.5	405	356	22	12	22

### Flange AS 2129 TABLE E Slip On Tube



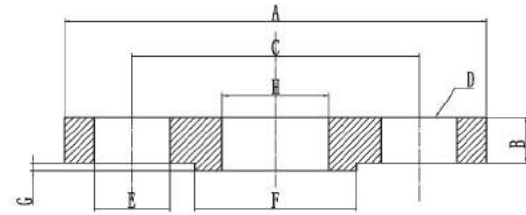
Item No.(304)	Item No.(316)	Inch	DN	B	D	P	T	H	V
C4GH-FL17T015	C6GH-FL17T015	1/2"	15	13.7	95	67	10	4	14
C4GH-FL17T020	C6GH-FL17T020	3/4"	20	20	100	73	10	4	14
C4GH-FL17T025	C6GH-FL17T025	1"	25	26.2	115	83	12	4	14
C4GH-FL17T032	C6GH-FL17T032	1 1/4"	32	32.7	120	87	12	4	14
C4GH-FL17T040	C6GH-FL17T040	1 1/2"	40	39.5	135	98	12	4	14
C4GH-FL17T050	C6GH-FL17T050	2"	50	52	150	114	12	4	18
C4GH-FL17T065	C6GH-FL17T065	2 1/2"	65	64.4	165	127	12	4	18
C4GH-FL17T080	C6GH-FL17T080	3"	80	76.8	185	146	13	4	18
C4GH-FL17T100	C6GH-FL17T100	4"	100	102.8	215	178	13	8	18
C4GH-FL17T125	C6GH-FL17T125	5"	125	129.4	255	210	14	8	18
C4GH-FL17T150	C6GH-FL17T150	6"	150	154	280	235	17	8	22
C4GH-FL17T200	C6GH-FL17T200	8"	200	205.5	335	292	20	8	22
C4GH-FL17T250	C6GH-FL17T250	10"	250	257.3	405	356	22	12	22

### Flange AS 2129 TABLE H Slip On



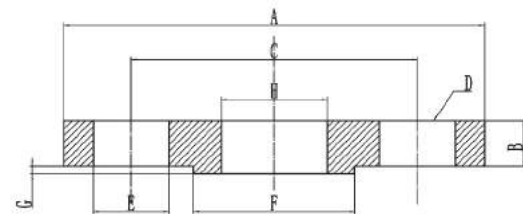
Item No.(304)	Item No.(316)	Inch	DN	B	D	P	T	H	V
C4GS-FL25P015	C6GS-FL25P015	1/2"	15	22.2	115	83	13	4	18
C4GS-FL25P020	C6GS-FL25P020	3/4"	20	27.7	115	83	13	4	18
C4GS-FL25P025	C6GS-FL25P025	1"	25	34.2	120	87	14	4	18
C4GS-FL25P032	C6GS-FL25P032	1 1/4"	32	43.2	135	98	17	4	18
C4GS-FL25P040	C6GS-FL25P040	1 1/2"	40	49.5	140	105	17	4	18
C4GS-FL25P050	C6GS-FL25P050	2"	50	61.9	165	127	19	4	18
C4GS-FL25P065	C6GS-FL25P065	2 1/2"	65	74.6	185	146	19	8	18
C4GS-FL25P080	C6GS-FL25P080	3"	80	90.7	205	165	22	8	18
C4GS-FL25P100	C6GS-FL25P100	4"	100	116.1	230	191	25	8	18
C4GS-FL25P125	C6GS-FL25P125	5"	125	143.8	280	235	29	8	22
C4GS-FL25P150	C6GS-FL25P150	6"	150	170.7	305	260	29	12	22
C4GS-FL25P200	C6GS-FL25P200	8"	200	221.5	370	324	32	12	22
C4GS-FL25P250	C6GS-FL25P250	10"	250	276.2	430	381	35	12	26
C4GS-FL25P300	C6GS-FL25P300	12"	300	327	490	438	41	16	26
C4GS-FL25P350	C6GS-FL25P350	14"	350	359.2	550	495	48	16	30
C4GS-FL25P400	C6GS-FL25P400	16"	400	410.5	610	552	54	20	30
C4GS-FL25P450	C6GS-FL25P450	18"	450	461.8	675	610	60	20	33
C4GS-FL25P500	C6GS-FL25P500	20"	500	513.1	735	673	67	24	33
C4GS-FL25P600	C6GS-FL25P600	24"	600	616	850	781	76	24	36

■ Flange DIN EN1092-1 PN16 Slip On



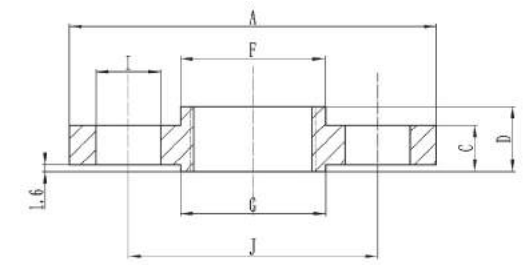
Item No.(304)	Item No.(316)	Inch	DN	A	B(min)	C	D	E	F	G	H
C4GH-FL33P010	C6GH-FL33P010	3/8"	10	90	14	60	4	14	40	2	
C4GH-FL33P015	C6GH-FL33P015	1/2"	15	95	14	65	4	14	45	2	22.2
C4GH-FL33P020	C6GH-FL33P020	3/4"	20	105	16	75	4	14	58	2	27.7
C4GH-FL33P025	C6GH-FL33P025	1"	25	115	16	85	4	14	68	2	34.2
C4GH-FL33P032	C6GH-FL33P032	1 1/4"	32	140	18	100	4	18	78	2	43.2
C4GH-FL33P040	C6GH-FL33P040	1 1/2"	40	150	18	110	4	18	88	3	49.5
C4GH-FL33P050	C6GH-FL33P050	2"	50	165	20	125	4	18	102	3	61.9
C4GH-FL33P065	C6GH-FL33P065	2 1/2"	65	185	20	145	8	18	122	3	74.6
C4GH-FL33P080	C6GH-FL33P080	3"	80	200	20	160	8	18	138	3	90.7
C4GH-FL33P100	C6GH-FL33P100	4"	100	220	22	180	8	18	158	3	116.1
C4GH-FL33P125	C6GH-FL33P125	5"	125	250	22	210	8	18	188	3	143.8
C4GH-FL33P150	C6GH-FL33P150	6"	150	285	24	240	8	22	212	3	170.7
C4GH-FL33P200	C6GH-FL33P200	8"	200	340	26	295	12	22	268	3	221.5
C4GH-FL33P250	C6GH-FL33P250	10"	250	405	29	355	12	26	320	3	276.2

■ Flange DIN EN1092-1 PN16 Slip On Tube



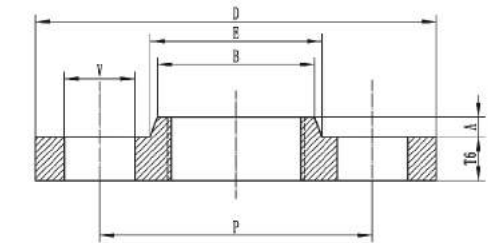
Item No.(304)	Item No.(316)	Inch	DN	A	B(min)	C	D	E	F	G	H
C4GH-FL33T010	C6GH-FL33T010	3/8"	10	90	14	60	4	14	40	2	
C4GH-FL33T015	C6GH-FL33T015	1/2"	15	95	14	65	4	14	45	2	13.2
C4GH-FL33T020	C6GH-FL33T020	3/4"	20	105	16	75	4	14	58	2	19.5
C4GH-FL33T025	C6GH-FL33T025	1"	25	115	16	85	4	14	68	2	25.9
C4GH-FL33T032	C6GH-FL33T032	1 1/4"	32	140	18	100	4	18	78	2	32.3
C4GH-FL33T040	C6GH-FL33T040	1 1/2"	40	150	18	110	4	18	88	3	39
C4GH-FL33T050	C6GH-FL33T050	2"	50	165	20	125	4	18	102	3	52.2
C4GH-FL33T065	C6GH-FL33T065	2 1/2"	65	185	20	145	8	18	122	3	65.1
C4GH-FL33T080	C6GH-FL33T080	3"	80	200	20	160	8	18	138	3	77.8
C4GH-FL33T100	C6GH-FL33T100	4"	100	220	22	180	8	18	158	3	103.4
C4GH-FL33T125	C6GH-FL33T125	5"	125	250	22	210	8	18	188	3	130
C4GH-FL33T150	C6GH-FL33T150	6"	150	285	24	240	8	22	212	3	155.4
C4GH-FL33T200	C6GH-FL33T200	8"	200	340	26	295	12	22	268	3	206.7
C4GH-FL33T250	C6GH-FL33T250	10"	250	405	29	355	12	26	320	3	257.5

■ Flange ASME B16.5 Screwed (150)



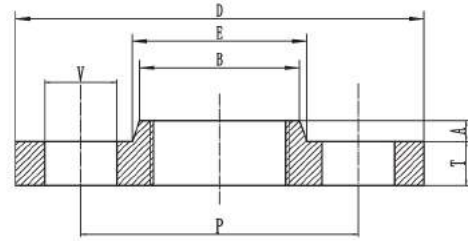
Item No.(304)	Item No.(316)	Inch	DN	A	B(min)	D	F	G	H	I	J
C4GS-FL03P015	C6GS-FL03P015	1/2"	15	88.9	11.2	15.7	30.2	35.1	4	16	60.45
C4GS-FL03P020	C6GS-FL03P020	3/4"	20	98.6	12.7	15.7	38.1	42.9	4	16	69.85
C4GS-FL03P025	C6GS-FL03P025	1"	25	108	14.2	17.5	49.3	50.8	4	16	79.25
C4GS-FL03P032	C6GS-FL03P032	1 1/4"	32	117.3	15.7	20.6	58.7	63.5	4	16	88.9
C4GS-FL03P040	C6GS-FL03P040	1 1/2"	40	127	17.5	22.4	65	73.15	4	16	98.55
C4GS-FL03P050	C6GS-FL03P050	2"	50	152.4	19.1	25.4	77.7	91.9	4	19	120.65
C4GS-FL03P065	C6GS-FL03P065	2 1/2"	65	177.8	22.4	28.4	90.4	104.6	4	19	139.7
C4GS-FL03P080	C6GS-FL03P080	3"	80	190.5	23.9	30.2	108	127	4	19	152.4
C4GS-FL03P100	C6GS-FL03P100	4"	100	228.6	23.9	33.3	134.9	157.2	8	19	190.5
C4GS-FL03P125	C6GS-FL03P125	5"	125	254	23.9	36.6	163.6	185.7	8	22	215.9
C4GS-FL03P150	C6GS-FL03P150	6"	150	279.4	25.4	39.6	192	215.9	8	22	241.3
C4GS-FL03P200	C6GS-FL03P200	8"	200	342.9	28.4	44.5	246.1	269.7	8	22	298.45
C4GS-FL03P250	C6GS-FL03P250	10"	250	406.4	30.2	49.3	304.8	323.9	12	25	362
C4GS-FL03P300	C6GS-FL03P300	12"	300	482.6	31.75	55.6	365.3	381	12	25	431.8
C4GS-FL03P350	C6GS-FL03P350	14"	350	533.4	35.1	57.15	400.1	412.7	12	28	476.25
C4GS-FL03P400	C6GS-FL03P400	16"	400	596.9	36.6	63.5	457.2	469.9	16	28	539.75
C4GS-FL03P450	C6GS-FL03P450	18"	450	635	39.6	68.3	505	533.4	16	32	577.85
C4GS-FL03P500	C6GS-FL03P500	20"	500	698.5	42.9	73.15	558.8	584.2	20	32	635
C4GS-FL03P600	C6GS-FL03P600	24"	600	812.8	47.8	82.6	663.4	692.2	20	35	749.3

■ Flange AS 2129 TABLE D Screwed



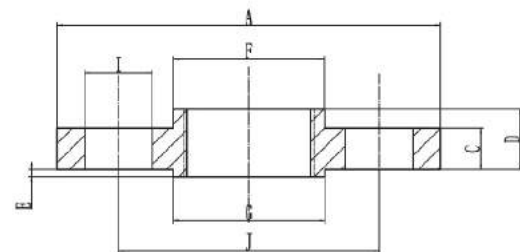
Item No.(304)	Item No.(316)	Inch	DN	A	B	D	E	P	T6	H	V
C4GS-FL15P015	C6GS-FL15P015	1/2"	15	10	33	95	38	67	5	4	14
C4GS-FL15P020	C6GS-FL15P020	3/4"	20	11	38	100	44	73	5	4	14
C4GS-FL15P025	C6GS-FL15P025	1"	25	11	48	115	52	83	5	4	14
C4GS-FL15P032	C6GS-FL15P032	1 1/4"	32	11	56	120	58	87	6	4	14
C4GS-FL15P040	C6GS-FL15P040	1 1/2"	40	13	62	135	70	98	6	4	14
C4GS-FL15P050	C6GS-FL15P050	2"	50	13	75	150	79	114	8	4	18
C4GS-FL15P065	C6GS-FL15P065	2 1/2"	65	16	90	165	93	127	8	4	18
C4GS-FL15P080	C6GS-FL15P080	3"	80	16	106	185	112	146	10	4	18
C4GS-FL15P100	C6GS-FL15P100	4"	100	19	133	215	140	178	10	4	18
C4GS-FL15P125	C6GS-FL15P125	5"	125	19	160	255	171	210	13	8	18
C4GS-FL15P150	C6GS-FL15P150	6"	150	19	186	280	197	235	13	8	18
C4GS-FL15P200	C6GS-FL15P200	8"	200	22	241	335	254	292	13	8	18
C4GS-FL15P250	C6GS-FL15P250	10"	250	27	298	405	310	356	16	8	22
C4GS-FL15P300	C6GS-FL15P300	12"	300	29	349	455	360	406	19	12	22
C4GS-FL15P350	C6GS-FL15P350	14"	350			525		470	22	12	26
C4GS-FL15P400	C6GS-FL15P400	16"	400			580		521	22	12	26
C4GS-FL15P450	C6GS-FL15P450	18"	450			640		584	25	12	26
C4GS-FL15P500	C6GS-FL15P500	20"	500			705		641	29	16	26
C4GS-FL15P600	C6GS-FL15P600	24"	600			825		756	32	16	30

■ Flange AS 2129 TABLE E Screwed



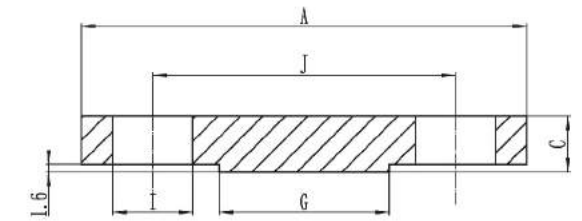
Item No.(304)	Item No.(316)	Inch	DN	A	B	D	E	P	T	H	V
C4GH-FL19P015	C6GH-FL19P015	1/2"	15	10	33	95	38	67	10	4	14
C4GH-FL19P020	C6GH-FL19P020	3/4"	20	11	38	100	44	73	10	4	14
C4GH-FL19P025	C6GH-FL19P025	1"	25	11	48	115	52	83	12	4	14
C4GH-FL19P032	C6GH-FL19P032	1 1/4"	32	11	56	120	58	87	12	4	14
C4GH-FL19P040	C6GH-FL19P040	1 1/2"	40	13	62	135	70	98	12	4	14
C4GH-FL19P050	C6GH-FL19P050	2"	50	13	75	150	79	114	12	4	18
C4GH-FL19P065	C6GH-FL19P065	2 1/2"	65	16	90	165	93	127	12	4	18
C4GH-FL19P080	C6GH-FL19P080	3"	80	16	106	185	112	146	13	4	18
C4GH-FL19P100	C6GH-FL19P100	4"	100	19	133	215	140	178	13	8	18
C4GH-FL19P125	C6GH-FL19P125	5"	125	19	160	255	171	210	14	8	18
C4GH-FL19P150	C6GH-FL19P150	6"	150	19	186	280	191	235	17	8	22
C4GH-FL19P200	C6GH-FL19P200	8"	200	22	241	335	249	292	20	8	22
C4GH-FL19P250	C6GH-FL19P250	10"	250	27	298	405	310	356	22	12	22

■ Flange DIN EN1092-1 PN16 Screwed



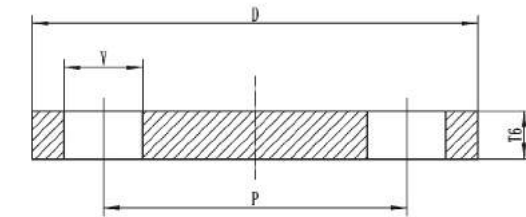
Item No.(304)	Item No.(316)	Inch	DN	A	C(min)	D	E	F	G	H	I	J
C4GH-FL34P015	C6GH-FL34P015	1/2"	15	95	14	22	2	35	48	4	14	65
C4GH-FL34P025	C6GH-FL34P025	1"	25	115	18	28	2	52	68	4	14	85
C4GH-FL34P032	C6GH-FL34P032	1 1/4"	32	140	18	30	2	60	78	4	18	100
C4GH-FL34P040	C6GH-FL34P040	1 1/2"	40	150	20	32	2	70	88	4	18	110
C4GH-FL34P050	C6GH-FL34P050	2"	50	165	22	34	3	84	102	4	18	125
C4GH-FL34P065	C6GH-FL34P065	2 1/2"	65	185	22	38	3	104	122	8	18	145
C4GH-FL34P080	C6GH-FL34P080	3"	80	200	24	40	3	118	138	8	18	160
C4GH-FL34P100	C6GH-FL34P100	4"	100	220	24	44	3	140	158	8	18	180
C4GH-FL34P150	C6GH-FL34P150	6"	150	285	26	50	3	195	212	8	22	240
C4GH-FL34P200	C6GH-FL34P200	8"	200	340	28	54	3	246	268	8	22	295

■ Flange ASME B16.5 Blind (150)



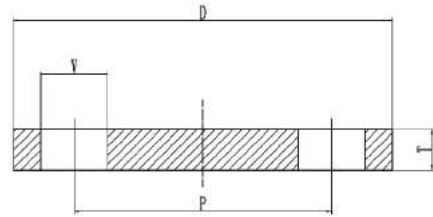
Item No.(304)	Item No.(316)	Inch	DN	A	C(min)	G	H	I	J
C4GS-FL04P015	C6GS-FL04P015	1/2"	15	88.9	11.2	35.1	4	16	60.45
C4GS-FL04P020	C6GS-FL04P020	3/4"	20	98.6	12.7	42.9	4	16	69.85
C4GS-FL04P025	C6GS-FL04P025	1"	25	108	14.2	50.8	4	16	79.25
C4GS-FL04P032	C6GS-FL04P032	1 1/4"	32	117.3	15.7	63.5	4	16	88.9
C4GS-FL04P040	C6GS-FL04P040	1 1/2"	40	127	17.5	73.15	4	16	98.55
C4GS-FL04P050	C6GS-FL04P050	2"	50	152.4	19.1	91.9	4	19	120.65
C4GS-FL04P065	C6GS-FL04P065	2 1/2"	65	177.8	22.4	104.6	4	19	139.7
C4GS-FL04P080	C6GS-FL04P080	3"	80	190.5	23.9	127	4	19	152.4
C4GS-FL04P100	C6GS-FL04P100	4"	100	228.6	23.9	157.2	8	19	190.5
C4GS-FL04P125	C6GS-FL04P125	5"	125	254	23.9	185.7	8	22	215.9
C4GS-FL04P150	C6GS-FL04P150	6"	150	279.4	25.4	215.9	8	22	241.3
C4GS-FL04P200	C6GS-FL04P200	8"	200	342.9	28.4	269.7	8	22	298.45
C4GS-FL04P250	C6GS-FL04P250	10"	250	406.4	30.2	323.9	12	25	362
C4GS-FL04P300	C6GS-FL04P300	12"	300	482.6	31.75	381	12	25	431.8
C4GS-FL04P350	C6GS-FL04P350	14"	350	533.4	35.1	412.7	12	28	476.25
C4GS-FL04P400	C6GS-FL04P400	16"	400	596.9	36.6	469.9	16	28	539.75
C4GS-FL04P450	C6GS-FL04P450	18"	450	635	39.6	533.4	16	32	577.85
C4GS-FL04P500	C6GS-FL04P500	20"	500	698.5	42.9	584.2	20	32	635
C4GS-FL04P600	C6GS-FL04P600	24"	600	812.8	47.8	692.2	20	35	749.3

■ Flange AS 2129 TABLE D Blind



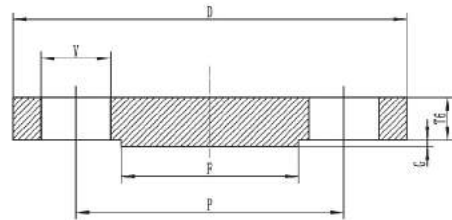
Item No.(304)	Item No.(316)	Inch	DN	D	P	T6	H	V
C4GS-FL14P015	C6GS-FL14P015	1/2"	15	95	67	5	4	14
C4GS-FL14P020	C6GS-FL14P020	3/4"	20	100	73	5	4	14
C4GS-FL14P025	C6GS-FL14P025	1"	25	115	83	5	4	14
C4GS-FL14P032	C6GS-FL14P032	1 1/4"	32	120	87	6	4	14
C4GS-FL14P040	C6GS-FL14P040	1 1/2"	40	135	98	6	4	14
C4GS-FL14P050	C6GS-FL14P050	2"	50	150	114	8	4	18
C4GS-FL14P065	C6GS-FL14P065	2 1/2"	65	165	127	8	4	18
C4GS-FL14P080	C6GS-FL14P080	3"	80	185	146	10	4	18
C4GS-FL14P100	C6GS-FL14P100	4"	100	215	178	10	4	18
C4GS-FL14P125	C6GS-FL14P125	5"	125	255	210	13	8	18
C4GS-FL14P150	C6GS-FL14P150	6"	150	280	235	13	8	18
C4GS-FL14P200	C6GS-FL14P200	8"	200	335	292	13	8	18
C4GS-FL14P250	C6GS-FL14P250	10"	250	405	356	16	8	22
C4GS-FL14P300	C6GS-FL14P300	12"	300	455	406	19	12	22
C4GS-FL14P350	C6GS-FL14P350	14"	350	525	470	22	12	26
C4GS-FL14P400	C6GS-FL14P400	16"	400	580	521	22	12	26
C4GS-FL14P450	C6GS-FL14P450	18"	450	640	584	25	12	26
C4GS-FL14P500	C6GS-FL14P500	20"	500	705	641	29	16	26
C4GS-FL14P600	C6GS-FL14P600	24"	600	825	756	32	16	30

### Flange AS 2129 TABLE E Blind



Item No.(304)	Item No.(316)	Inch	DN	D	P	T	H	V
C4GH-FL18P015	C6GH-FL18P015	1/2"	15	95	67	10	4	14
C4GH-FL18P020	C6GH-FL18P020	3/4"	20	100	73	10	4	14
C4GH-FL18P025	C6GH-FL18P025	1"	25	115	83	12	4	14
C4GH-FL18P032	C6GH-FL18P032	1 1/4"	32	120	87	12	4	14
C4GH-FL18P040	C6GH-FL18P040	1 1/2"	40	135	98	12	4	14
C4GH-FL18P050	C6GH-FL18P050	2"	50	150	114	12	4	18
C4GH-FL18P065	C6GH-FL18P065	2 1/2"	65	165	127	12	4	18
C4GH-FL18P080	C6GH-FL18P080	3"	80	185	146	13	4	18
C4GH-FL18P100	C6GH-FL18P100	4"	100	215	178	13	8	18
C4GH-FL18P125	C6GH-FL18P125	5"	125	255	210	14	8	18
C4GH-FL18P150	C6GH-FL18P150	6"	150	280	235	17	8	22
C4GH-FL18P200	C6GH-FL18P200	8"	200	335	292	20	8	22
C4GH-FL18P250	C6GH-FL18P250	10"	250	405	356	22	12	22

### Flange DIN EN1092-1 PN16 Blind



Item No.(304)	Item No.(316)	Inch	DN	D	P	T6	H	V	F	G
C4GH-FL35P015	C6GH-FL35P015	1/2"	15	95	65	14	4	14	45	2
C4GH-FL35P020	C6GH-FL35P020	3/4"	20	105	75	16	4	14	58	2
C4GH-FL35P025	C6GH-FL35P025	1"	25	115	85	16	4	14	68	2
C4GH-FL35P032	C6GH-FL35P032	1 1/4"	32	140	100	18	4	18	78	2
C4GH-FL35P040	C6GH-FL35P040	1 1/2"	40	150	110	18	4	18	88	3
C4GH-FL35P050	C6GH-FL35P050	2"	50	165	125	20	4	18	102	3
C4GH-FL35P065	C6GH-FL35P065	2 1/2"	65	185	145	20	8	18	122	3
C4GH-FL35P080	C6GH-FL35P080	3"	80	200	160	20	8	18	138	3
C4GH-FL35P100	C6GH-FL35P100	4"	100	220	180	22	8	18	158	3
C4GH-FL35P125	C6GH-FL35P125	5"	125	250	210	22	8	18	188	3
C4GH-FL35P150	C6GH-FL35P150	6"	150	285	240	24	8	22	212	3
C4GH-FL35P200	C6GH-FL35P200	8"	200	340	295	26	12	22	268	3
C4GH-FL35P250	C6GH-FL35P250	10"	250	405	355	29	12	26	320	3



## Customized Fittings

Grande-Tek can produce various precision casting and machining finished parts with a silica gel sol lost wax casting technology and utilizing advanced casting production equipment and testing equipment, such as spectrometer, metallographic microscope, hardness tester, universal material testing machine, CMM, X-ray non-destructive, etc. Those customized fittings are mainly used for instrumentation, pump valve, vessel, and equipment. Grande-Tek has a complete set of production lines from mold design, casting, and machining, and has skilled technical research and development capabilities, which can meet customers' special requirements, such as deep holes, complex cavities, and accurate positioning.



